

T~TRAK

HEADS-LINE VOLTAGE

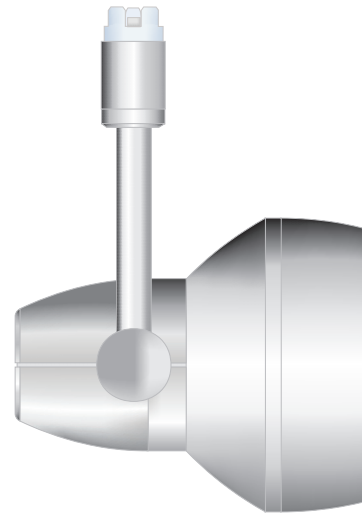
GENERAL PRODUCT INFORMATION:



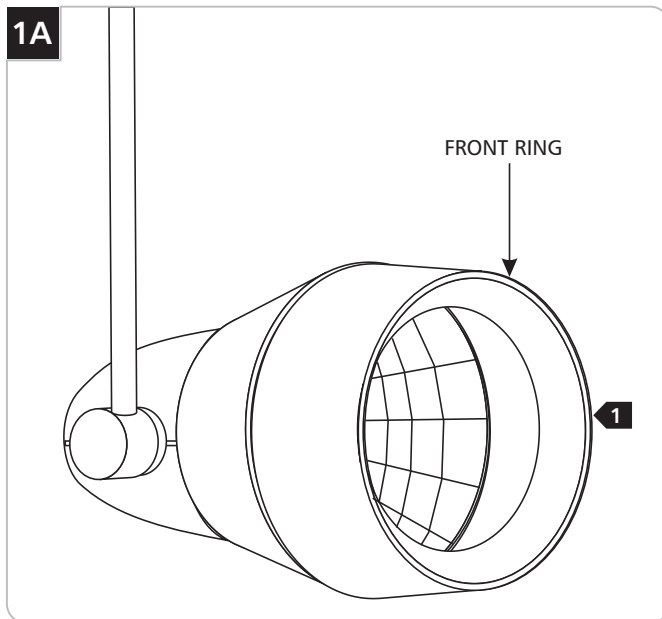
This product is suitable for indoor dry locations only.

This product is intended for use only with Tech Lighting Power Jack & T~trak™ systems.

This product is patented (U.S. PAT. 7,172,332).



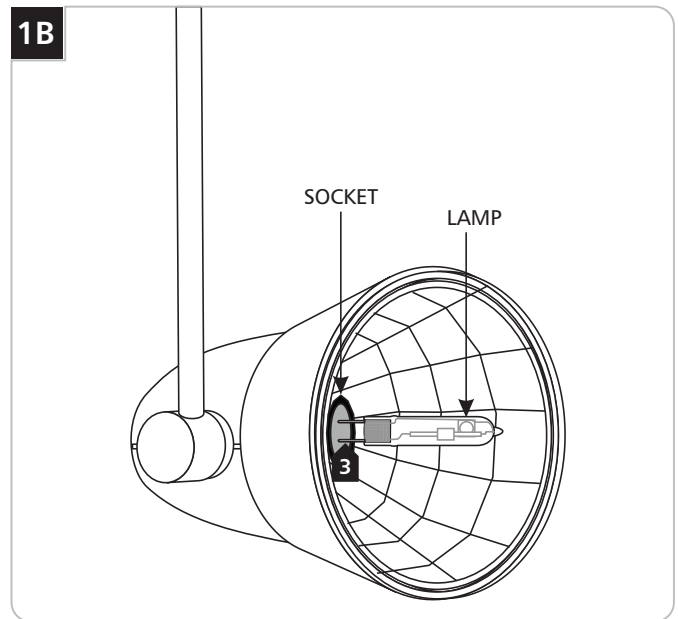
Installing the CMH T4 Lamp



NOTE: Turn off power to the system before installing, removing, or relamping the fixture.

- 1 Remove the front ring from the body by unscrewing it counterclockwise.

NOTE: Use only your fingers and a soft cloth to replace the lamp.



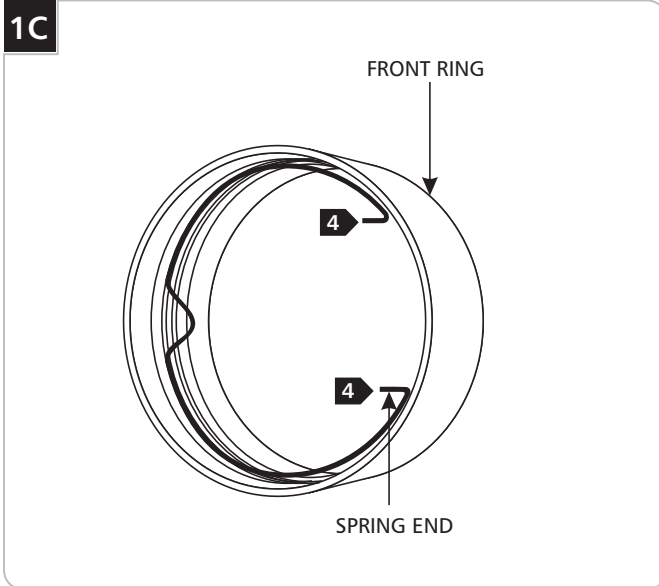
Use 120 Volt, 20 Watt Ceramic Metal Halide T4.5 Lamp with 700PJOMT4_2_ Models.

Use 120 Volt, 39 Watt Ceramic Metal Halide T4.5 Lamp with 700PJOMT4_3_ Models.

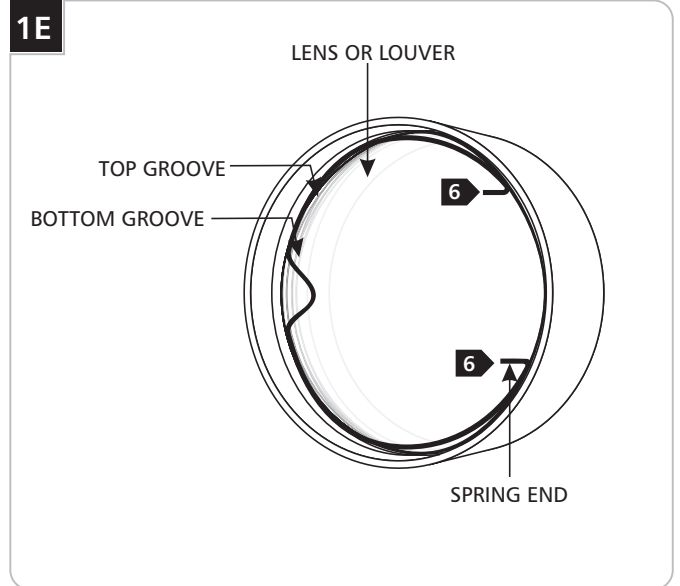
Use 120 Volt, 70 Watt Ceramic Metal Halide T4.5 Lamp with 700PJOMT4_7_ Models.

- 2 Handle the new replacement lamp with a soft cloth to prevent the natural oils on the fingertips from collecting on the lamp. This will help extend the life of the lamp.
- 3 Insert the lamp pins completely into the socket holes.

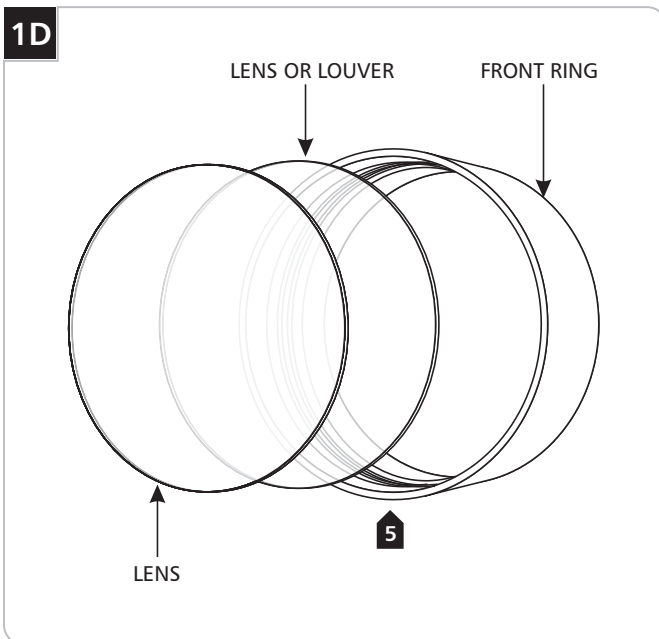
NOTE: Steps 3 to 5 are required to shield the lamp from possible shattering.



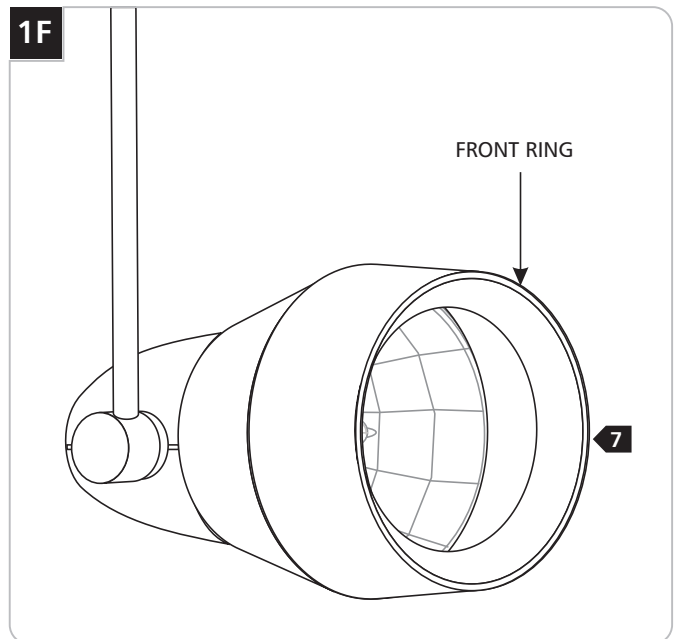
4 Squeeze the spring ends and remove it from the front ring.



6 Squeeze the spring ends and place on top of the lenses (louver) and into the top groove of the front ring. Use the bottom groove if a single lens or louver is used.

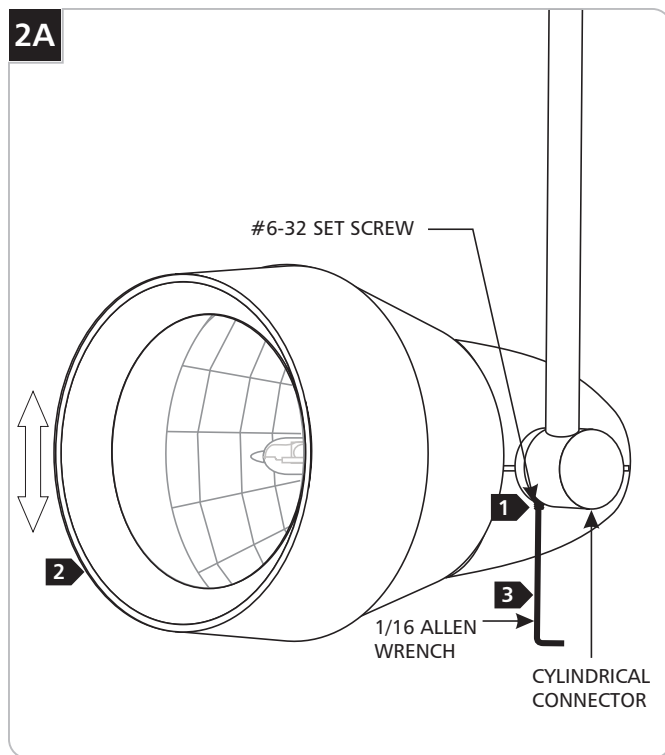


5 Place one or at most two lenses and/or louver into the front ring.



7 Replace the front ring.

SPECIAL INSTALLATION: Locking the Fixture in Permanent Position (Optional)



- 1** To lock the fixture head in a permanent vertical position, loosen (DO NOT REMOVE) the #6-32 set screw on fixture arm with the provided 1/16 Allen wrench.
- 2** Rotate the fixture head to the desired position.
- 3** Tighten the #6-32 set screw with the 1/16 Allen wrench.

IMPORTANT SAFETY INSTRUCTIONS

To reduce the risk of fire, electrical shock, exposure to excessive UV radiation, or injury to person:

- Use this fixture indoors only.
- Do not look directly at the lighted lamp.
- Do not remain in light if skin feels warm.
- Risk of fire: Use only the type of lamp and maximum wattage indicated in this instruction manual.
- Never cover the Ceramic Metal Halide lamp with anything other than a Tech Lighting lens and never place flammable material close to your fixture.
- Never turn the fixture on and off by connecting and disconnecting the CMH lamp.
- Do not touch the fixture shades or lamp shield while the fixture is on. These surfaces may be HOT.
- Relamp fixtures at or before the end of rated life. Beyond rated life, light output diminishes while energy consumption and risk of rupture increases.

CMH Lamp General Information

- A new CMH lamp is a discharge lamp and requires some time to start and come to full brightness after a power interruption.

Two Tips For Prolonging CMH Lamp Life

- First avoid touching the lamp with bare hands during installation. Any contaminant, even the oil from your hands can deteriorate the lamp. A soft cloth can be used to remove any contaminant.
- Second, do not run the lamps continuously operating, turn the lamp off once per week for at least 15 minutes. This will reduce the risk of rupture.

SAVE THESE INSTRUCTIONS!

T~TRAK

a brand of **TECH LIGHTING**

7400 Linder Ave, Skokie, IL 60077

847.410.4400

www.ttraklighting.com

© 2010 Tech Lighting, L.L.C. All rights reserved. The "T~trak" graphic is a registered trademark of T~trak™. T~trak™ reserves the right to change specifications for product improvements without notification.

A Generation Brands Company