

Benton Pendant (Compact Fluorescent)

600BENP -CF

1.0



GENERAL PRODUCT INFORMATION:



This product can mount to either a 4" square electrical box with round plaster ring or an octagon electrical box.

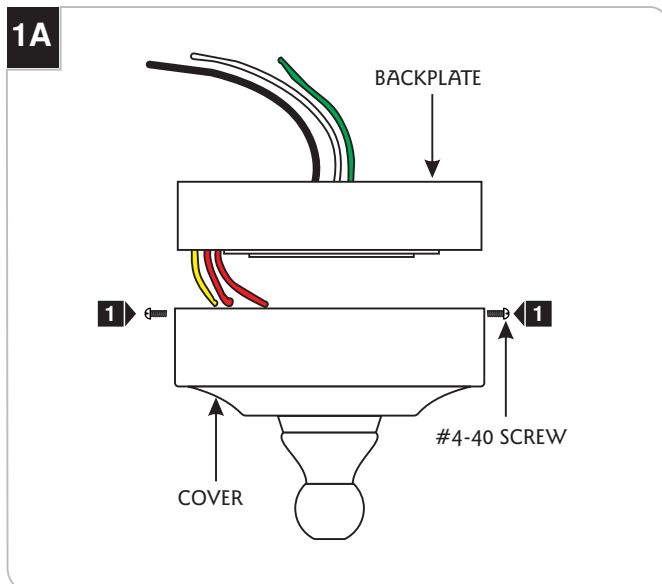
This instruction shows a typical installation.

CAUTION - RISK OF FIRE

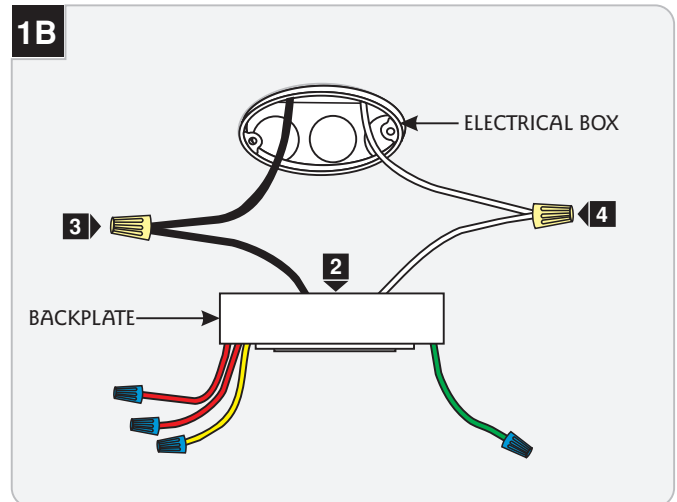
This product requires installation by a qualified electrician. Before installing be sure to read all instructions and **TURN THE POWER TO THE ELECTRICAL BOX OFF.**



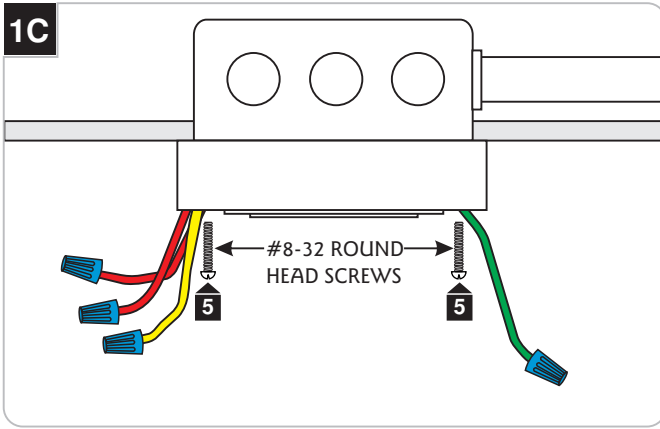
Install the Fixture



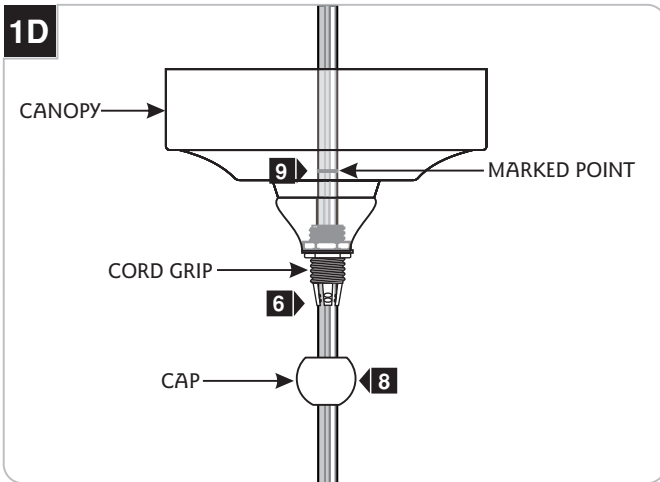
- 1 Remove the #4-40 screws on canopy sides to remove the cover from the backplate.



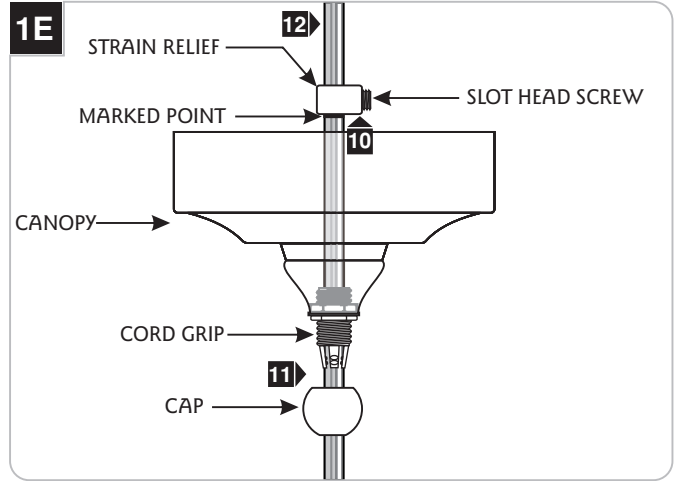
- 2 Make sure that the backplate is grounded in accordance with local electrical codes.
- 3 Connect the black ballast wire to the hot power line wire with a wire nut.
- 4 Connect the white ballast wire to the neutral power line wire with a wire nut.



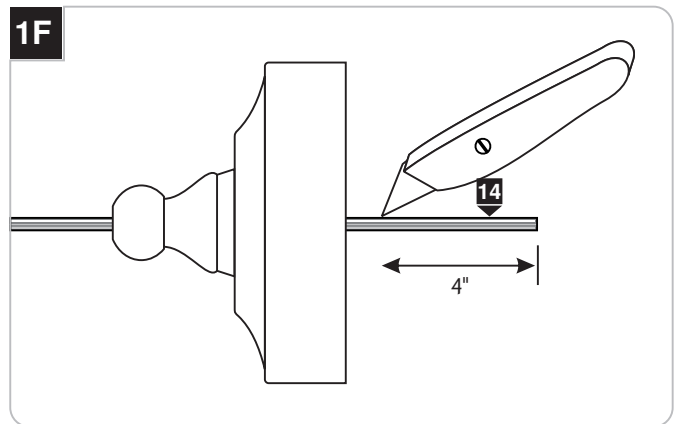
- 5** Place all power line wires and wire nut connections properly into the electrical box and mount backplate to the electrical box with the provided two #8-32 round head screws.



- 6** Feed end of the fixture cord through the cap, and cord grip into the canopy.
- 7** Adjust the fixture height (from bottom of the fixture shade to top of the canopy) by moving the cord up or down.
- 8** When desired height is achieved, slightly tighten the cap.
- 9** From inside mark the cord right behind the cord grip for strain relief location.

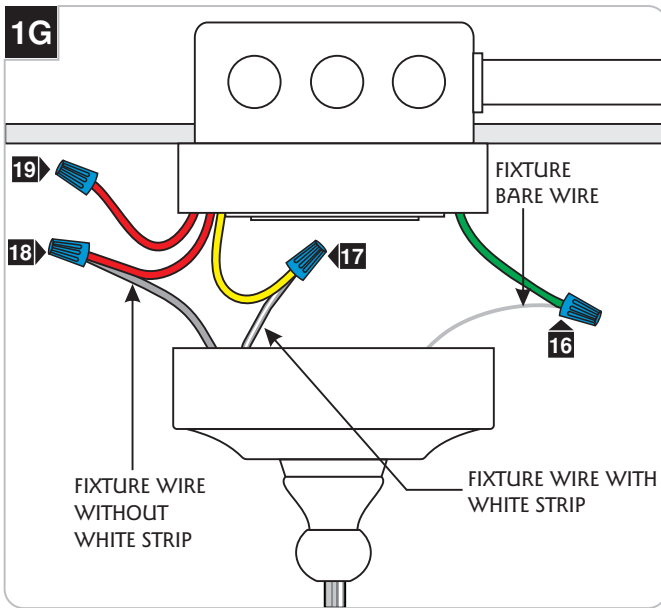


- 10** Loosen the cap and the slot head screw, and feed the cord through the strain relief. Place the strain relief right above the marked point and tighten the slot head screw.
- 11** Slide the canopy up against the strain relief and tighten the cap to cord grip.
- 12** For power connection, leave at least 6" of the cord exposed in the back of the canopy.
- 13** Cut off the excess cord with a sharp cutter.

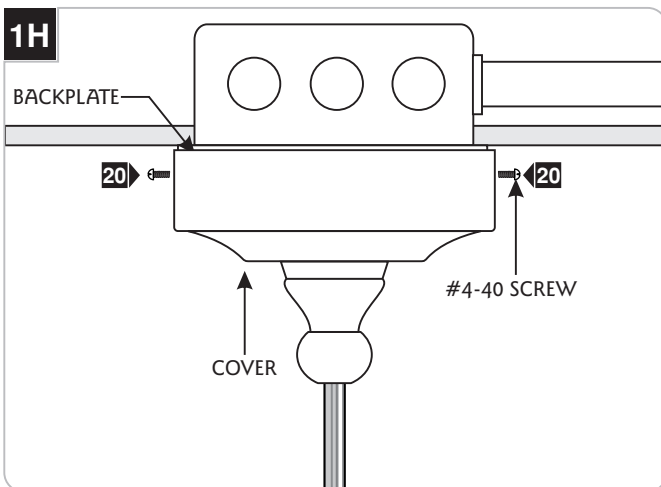


- 14** From the end of the cord, strip the outer insulation 4" using a sharp knife and needlenose pliers. ***Make sure not to cut inner wires.***
- 15** Strip 1/4" of insulation from the inner insulated wires. The bare inner wire is the ground wire.

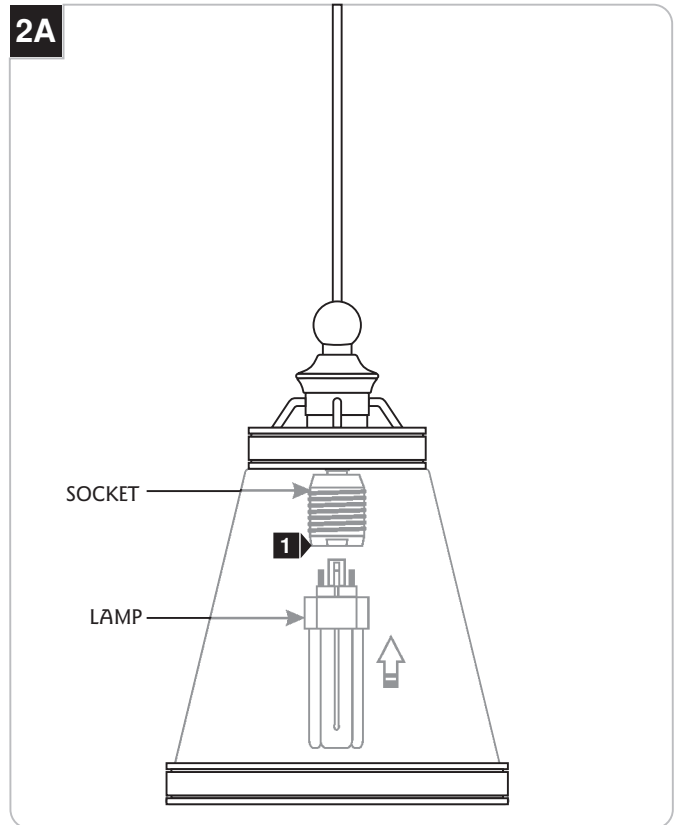
Install the Lamp



- 16 Connect the fixture bare uninsulated wire to the backplate ground wire (green wire) with a wire nut.
- 17 Connect the fixture wire with the white strip to the yellow ballast wire with a wire nut.
- 18 Connect the other fixture wire to one of the red ballast wires (either one) with a wire nut.
- 19 Leave the other red ballast wire loose capped with a wire nut.

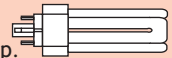


- 20 Line up the cover holes with the backplate holes. Replace and tighten the two #4-40 screws.



CAUTION: To reduce the risk of a burn or electric shock during relamping, disconnect the power to the fixture.

Use **MAX 18 Watt** GX24Q-2 Base Triple Tube Compact Fluorescent Lamp.



- 1 Push the lamp pins completely into the socket holes.

SAVE THESE INSTRUCTIONS!



7400 Linder Ave, Skokie, IL 60077
847.410.4400

www.wilmettelighting.com

© 2008 Wilmette Lighting Company. All rights reserved. The "Wilmette Lighting Company" graphic is a registered trademark of Wilmette Lighting Company. Wilmette Lighting Company reserves the right to change specifications for product improvements without notification.

A Generation Brands Company