

# Manette Grande Pendant

700TDMANGP\_ 1.1



## PENDANTS

### GENERAL PRODUCT INFORMATION:



This product is suitable for damp locations.

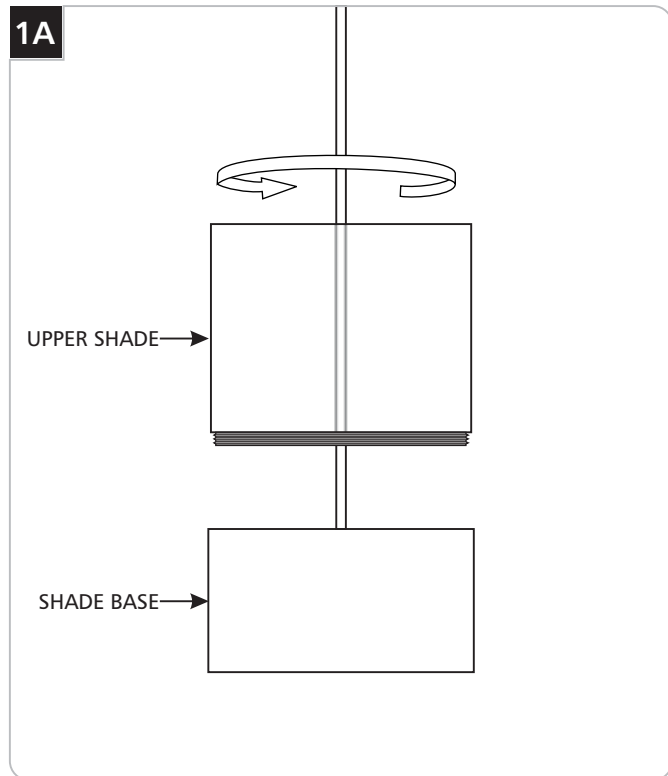
This product can mount to either a 4" square electrical box with round plaster ring or an octagon electrical box.

This product can be dimmed with a low-voltage electronic dimmer.

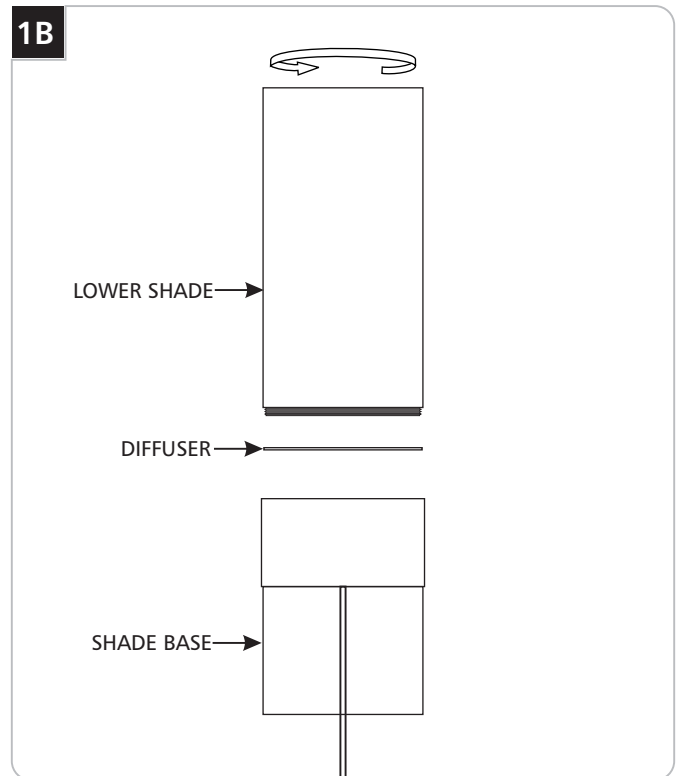
**CAUTION - RISK OF FIRE**  
 This product must be installed in accordance with the applicable installation code by a person familiar with the construction and operation of the product and the hazards involved.  
 Use minimum 90°C supply conductors.



## Assemble the Fixture

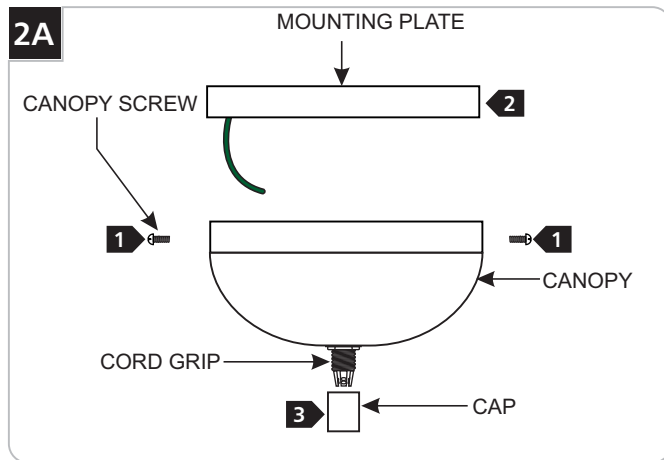


**1** Screw the (shorter) upper shade firmly into the shade base.

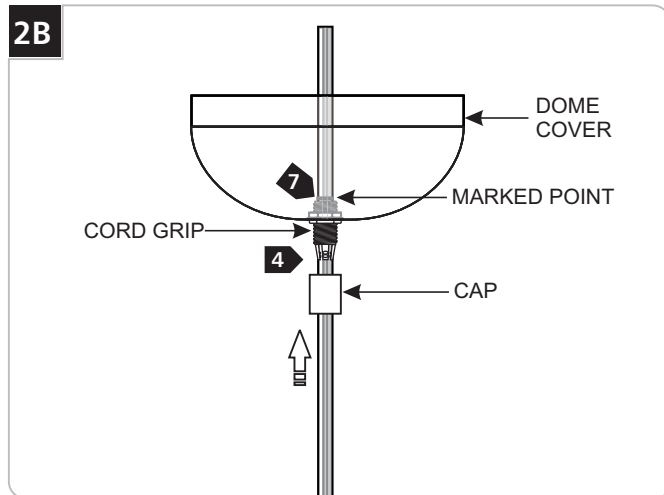


**2** Rotate the fixture upside down, place the diffuser into the shade base, and completely screw the (longer) lower shade into the base.

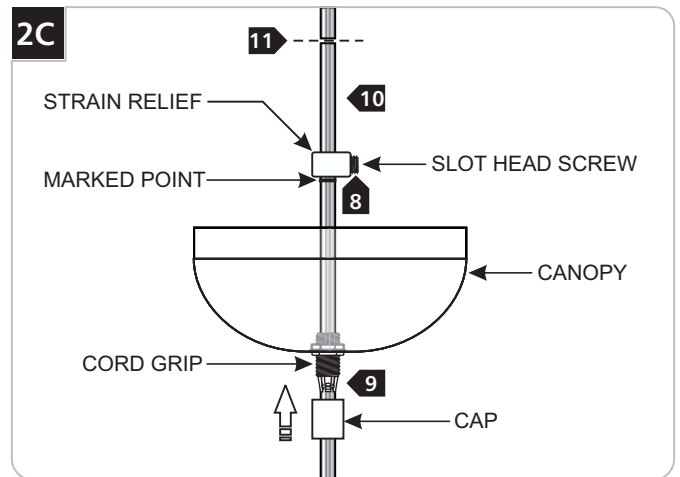
# Shorten the Pendant



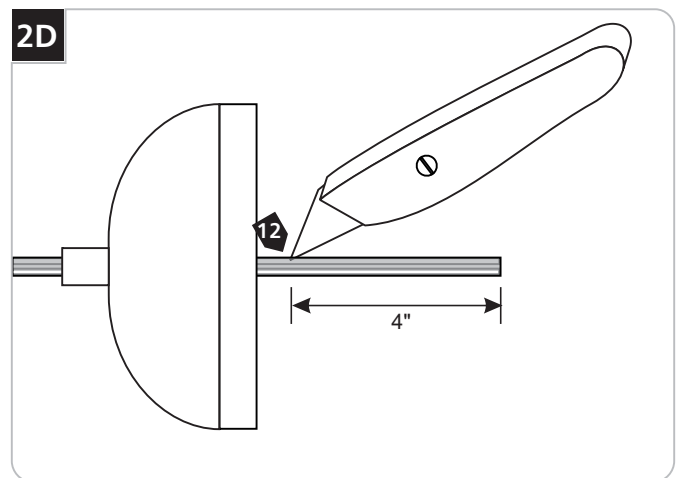
- 1 Remove the canopy screws.
- 2 Remove the backplate from the canopy.
- 3 Remove the cap from the cord grip.



- 4 Feed end of the pendant cord through the cap, and cord grip into the canopy.
- 5 Adjust the fixture height (from bottom of the fixture shade to top of the canopy) by moving the cord up or down.
- 6 When desired height is achieved, slightly tighten the cap.
- 7 From inside mark the cord right behind the cord grip for the strain relief location.



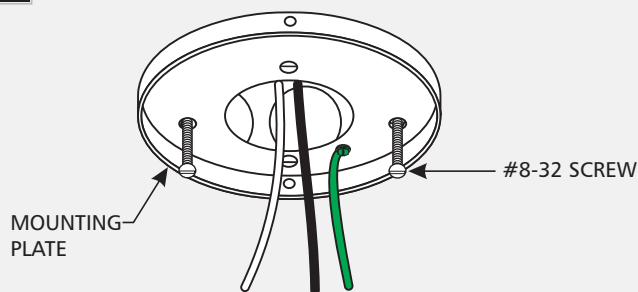
- 8 Loosen the cap and feed the cord through the strain relief. Place the strain relief right above the marked point and tighten the slot head screw.
- 9 Slide the canopy up against the strain relief and tighten the cap to cord grip.
- 10 For power connection, leave at least 6" of the cord exposed in the back of the dome canopy.
- 11 Cut off the excess cord with a sharp cutter.



- 12 From the end of the cord, strip the outer insulation 4" using a sharp knife and needlenose pliers. ***Make sure not to cut inner wires.***
- 13 Strip 1/4" of insulation from the inner insulated wires. (three inner insulated wires for standard SVT cord). The bare inner wire is the ground wire (green insulated wire in SVT cord).

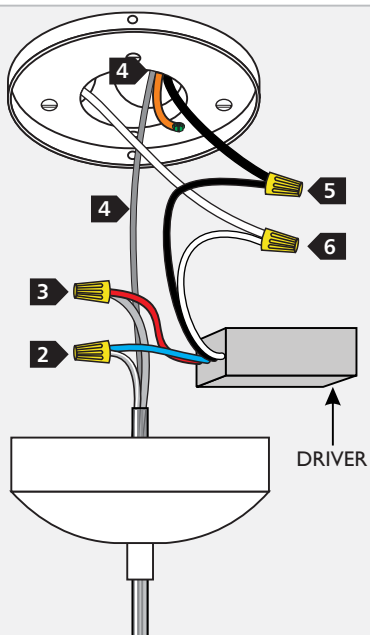
## Install the Pendant

3A



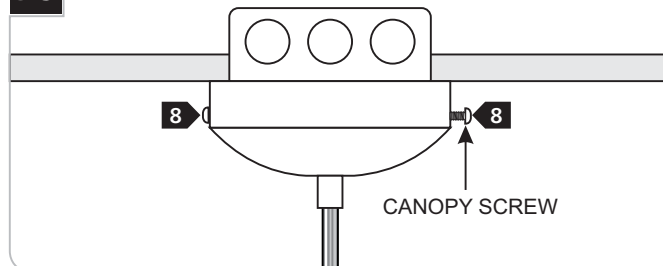
- 1 Secure the mounting plate to the electrical box with the two #8-32 screws provided.

3B



- 2 Connect the blue driver wire to the insulated pendant wire with the white tracer.
- 3 Connect the red driver wire to the other insulated pendant wire.
- 4 Connect the fixture to a suitable ground in accordance with local electrical codes.
- 5 Connect the black driver wire to the hot power line wire with a wire nut.
- 6 Connect the white driver wire to the neutral power line wire with a wire nut.

3C



- 7 Properly place the driver, all wires, and wire nut connections inside the canopy.
- 8 Align the canopy holes with the mounting plate holes and secure the canopy in place by reinstalling and tightening the two canopy screws.

**SAVE THESE INSTRUCTIONS!**



7400 Linder Ave, Skokie, IL 60077

847.410.4400

[www.techlighting.com](http://www.techlighting.com)

© 2014 Tech Lighting, L.L.C. All rights reserved. The "Tech Lighting" graphic is a registered trademark of Tech Lighting, L.L.C. Tech Lighting reserves the right to change specifications for product improvements without notification.

A Generation Brands Company