



**BATH COLLECTION**

**GENERAL PRODUCT INFORMATION:**

This product is suitable for damp locations.

This product can mount to either a 4" square electrical box with round plaster ring or an octagon electrical box.

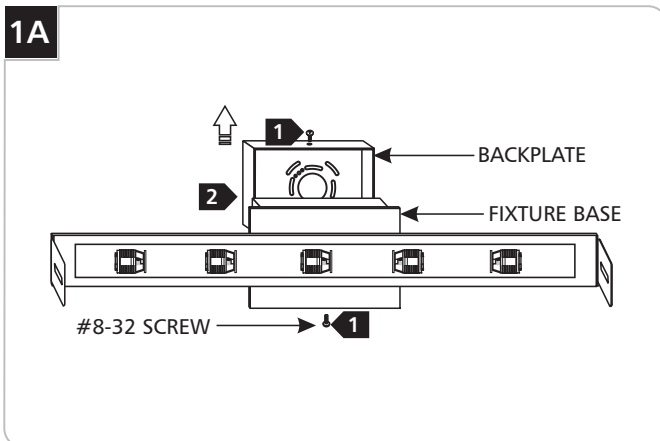


**CAUTION - RISK OF FIRE**

This product must be installed in accordance with the applicable installation code by a person familiar with the construction and operation of the product and the hazards involved.

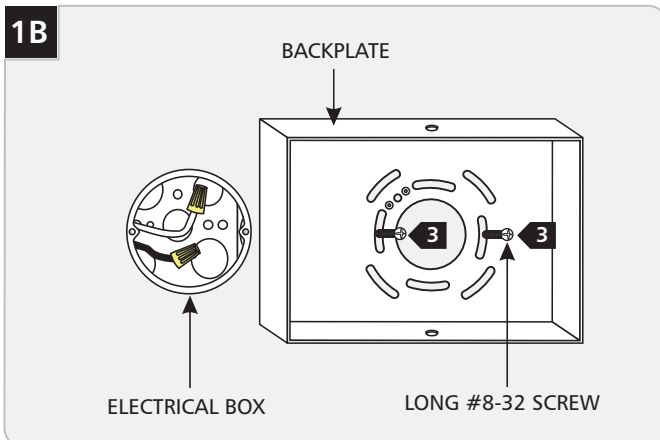
Use minimum 90°C supply conductors.

**Install the Backplate**



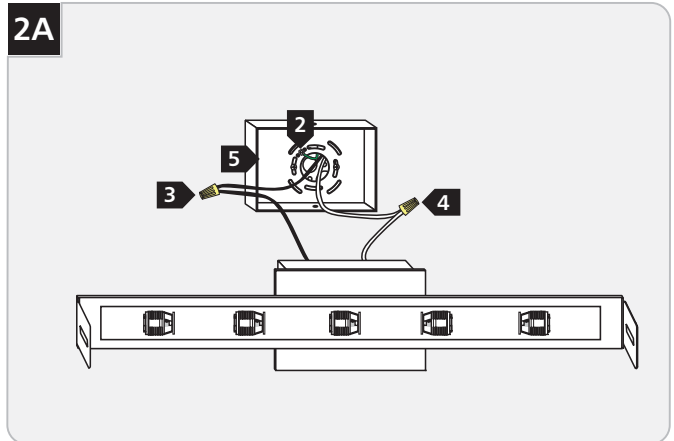
**1** Remove the two #8-32 screws on the backplate with a Phillips head screwdriver.

**2** Remove the backplate from the fixture base.



**3** Mount the backplate to the electrical box with two long #8-32 screws.

**Install the Fixture**



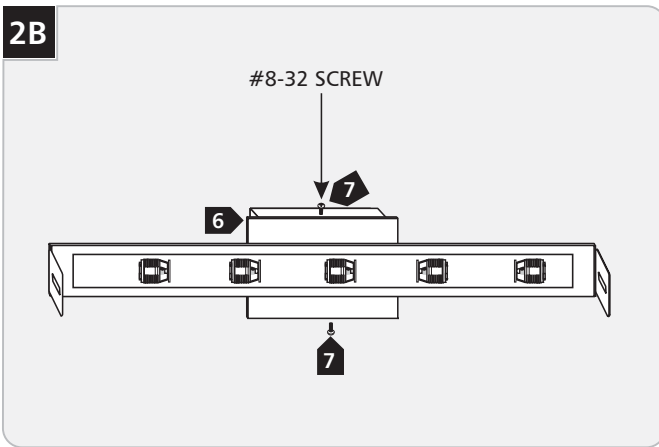
**1** Turn the power to the electrical box off.

**2** Make sure that the backplate is grounded in accordance with local electrical codes.

**3** Connect the black fixture wire(s) to the hot power line wire with a wire nut.

**4** Connect the white fixture wire(s) to the neutral power line wire with a wire nut.

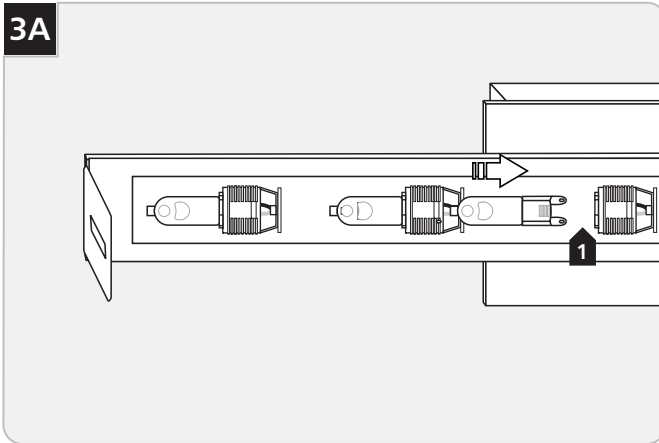
**5** Properly place all wires into the backplate.

**2B**

**6** Place the fixture base onto the backplate and align the holes.

**7** Replace and tighten the #8-32 screws.

## Install the Lamps

**3A**

**CAUTION:** To reduce the risk of a burn or electric shock during relamping, disconnect the power to the fixture.

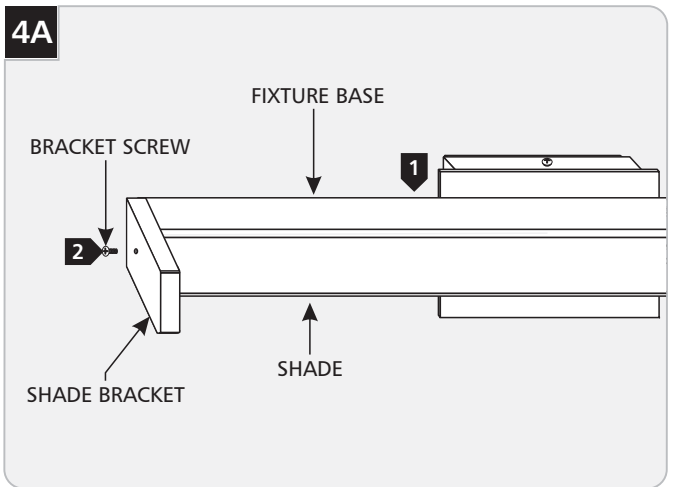
Use **MAX** 120 Volt, **40 Watt** G9 type, G9 base Halogen lamp with each socket.



**NOTE:** Use only your fingers and a soft cloth to replace the lamp.

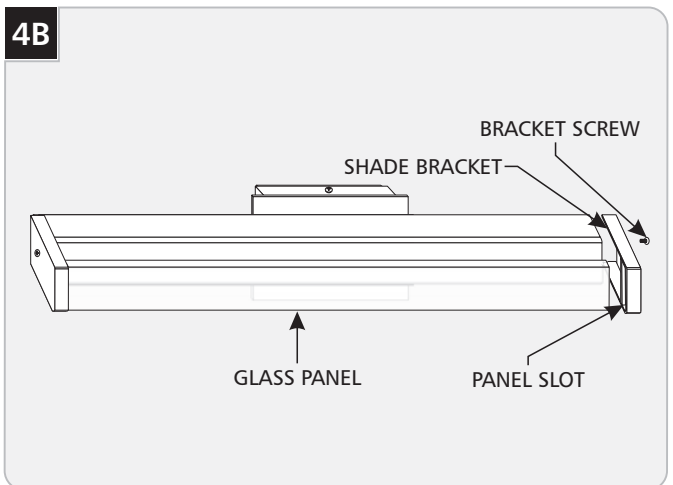
**1** Using a soft cloth, gently insert the new lamps into each socket.

## Install the Shade

**4A**

**1** Carefully slide the shade onto the fixture base.

**2** Place a shade bracket onto one end of the fixture and secure it in place by installing and tightening the bracket screw.

**4B**

**3** Install the glass panel into the panel slot on the installed shade bracket, install the other shade bracket while ensuring that the glass panel is in the panel slot, and secure them in place by installing and tightening the other bracket screw.

**SAVE THESE INSTRUCTIONS!**



**TECH LIGHTING®**

7400 Linder Ave, Skokie, IL 60077  
847.410.4400

[www.techlighting.com](http://www.techlighting.com)

© 2014 Tech Lighting, L.L.C. All rights reserved. The "Tech Lighting" graphic is a registered trademark of Tech Lighting, L.L.C. Tech Lighting reserves the right to change specifications for product improvements without notification.

A Generation Brands Company