

Mini Larkspur Wall

700WSLRKS_ 1.2



WALL COLLECTION

GENERAL PRODUCT INFORMATION:



This product can mount to either a 4" square electrical box with round plaster ring or an octagon electrical box.

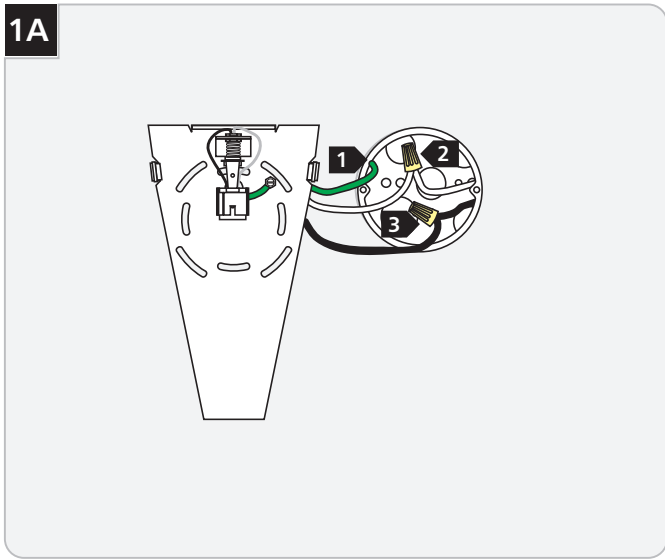
This product is suitable for damp locations.

This product can be dimmed with a standard incandescent dimmer.

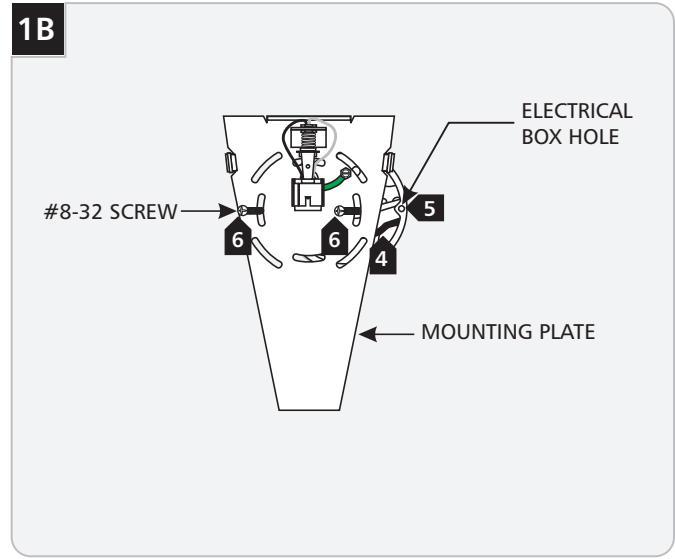


CAUTION—RISK OF FIRE
 This product requires installation by a qualified electrician. Before installing be sure to read all instructions and **TURN THE POWER TO THE ELECTRICAL BOX OFF.**

Mount the Sconce



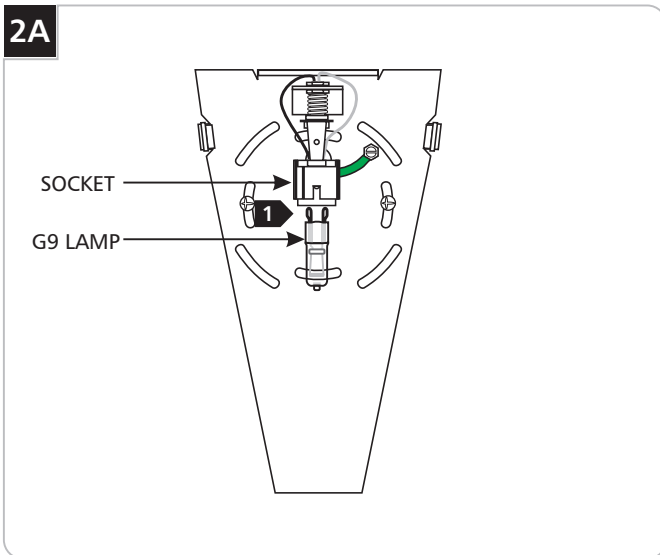
- 1** Ground the fixture to the electrical box in accordance with local electrical codes.
- 2** Connect the white fixture wire to the neutral 120 volt power line wire with a wire nut.
- 3** Connect the black fixture wire to the hot 120 volt power line wire with a wire nut.



- 4** Properly place all wires and wire nut connections into the electrical box.
- 5** Line up two mounting plate slots with the two electrical box holes.
- 6** Level the mounting plate vertically and secure it to the electrical box with the two #8-32 screws.

Install the Lamp & Glass Shade

2A



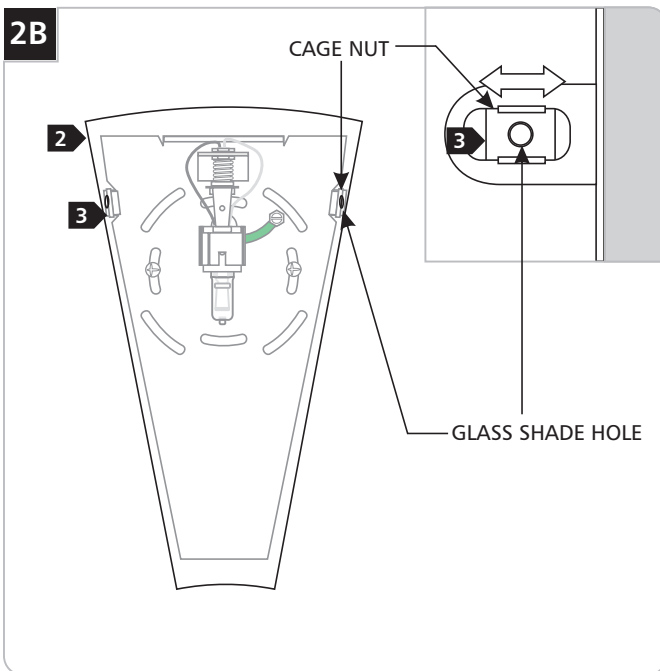
NOTE: The G9 lamp has an integral glass envelope and is thus safe to be used without a lamp shield.

Use **MAX** 120 Volt, **40** Watt Type T4, G9 Base, Bi-Pin Halogen Lamp.



1 Push the lamp completely into the socket.

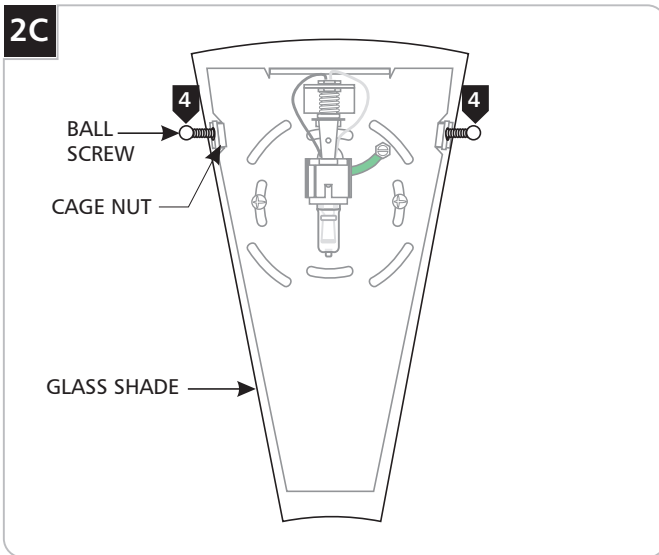
2B



2 Place the glass shade over the mounting plate against the wall.

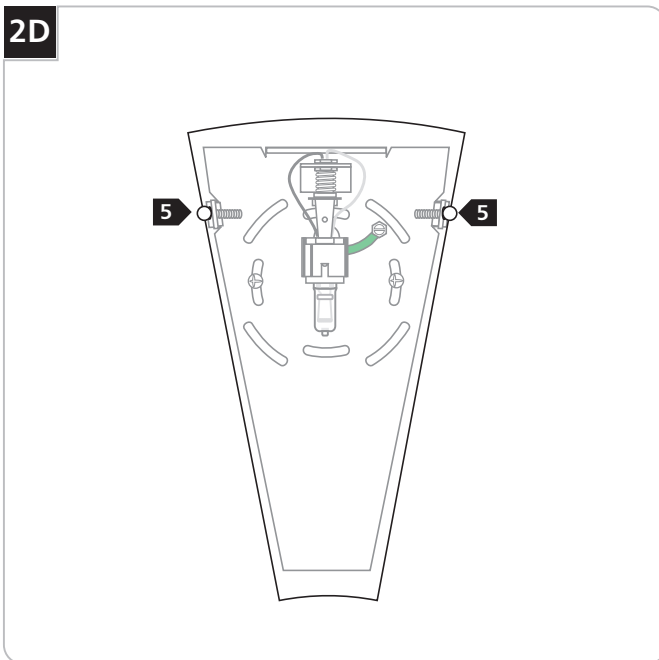
3 Slide the cage nuts aligning their holes with the glass shade holes.

2C



4 Slightly screw (**Do Not Tighten**) the ball screws through the glass shade holes into the cage nut holes so that the glass shade is held in place.

2D



5 Firmly push the glass against the wall and finish tightening the ball screws.

IMPORTANT SAFETY INSTRUCTIONS

To reduce the risk of fire, electrical shock, exposure to excessive UV radiation, or injury to person:

- Use this fixture indoors only.
- Do not look directly at the lighted lamp.
- Do not remain in light if skin feels warm.
- Risk of fire: Use only the type of lamp and maximum wattage indicated in this instruction manual.
- Never cover the halogen lamp and never place flammable material close to your fixture.
- Never turn the fixture on and off by connecting and disconnecting the halogen lamp.
- Do not touch the fixture shade while the fixture is on. This surface may be HOT.

Halogen Lamp General Information

- A new halogen lamp may smoke slightly when it is used for the first time. This is perfectly normal; the protective coating is simply being vaporized.

Two Tips For Prolonging Halogen Lamp Life

- First avoid touching the lamp with bare hands during installation. Any contaminant, even the oil from your hands can deteriorate the lamp. Rubbing alcohol can be used to remove any contaminant.
- Second, do not run the lamps at full power when you do not need to. However, if dimming the fixture for an extended period of time, occasionally bring the light up to full brightness for a few minutes to complete the halogen cycle.

SAVE THESE INSTRUCTIONS!



TECH LIGHTING®

7400 Linder Ave, Skokie, IL 60077

847.410.4400

www.techlighting.com

© 2008 Tech Lighting, L.L.C. All rights reserved. The "Tech Lighting" graphic is a registered trademark of Tech Lighting, L.L.C. Tech Lighting reserves the right to change specifications for product improvements without notification.

A Generation Brands Company