

# Cheers

700FJCHR7\_

2.1

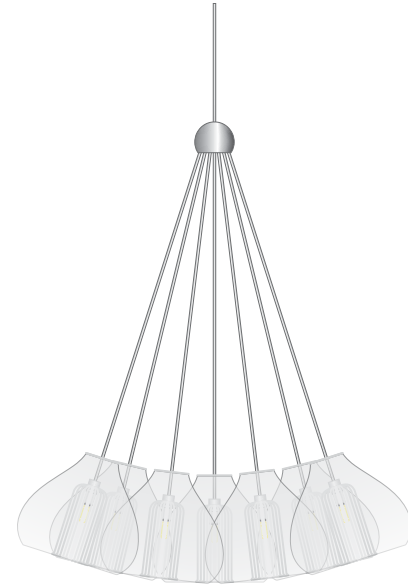


## GENERAL PRODUCT INFORMATION:

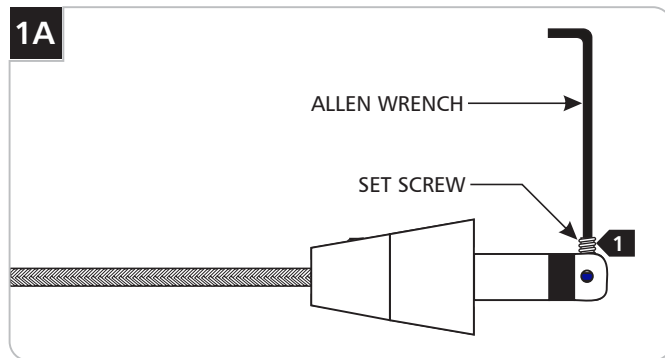


This product is ETL listed and suitable only for indoor dry locations and approved for use at any height above the finished floor.

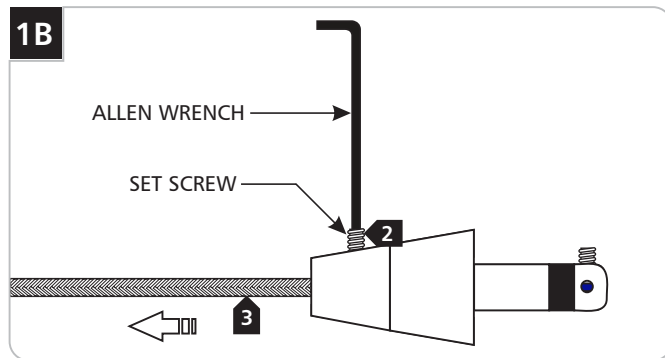
This product is patented (U.S. PAT. 6,183,297).



## Adjust The Fixture Height

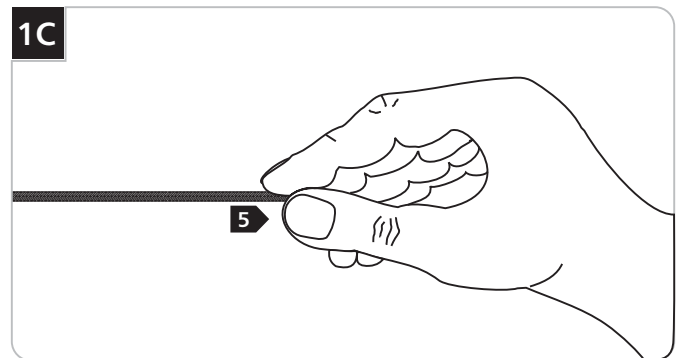


**1** Back out (do not remove) the set screw on tip of the connector with the provided Allen wrench.



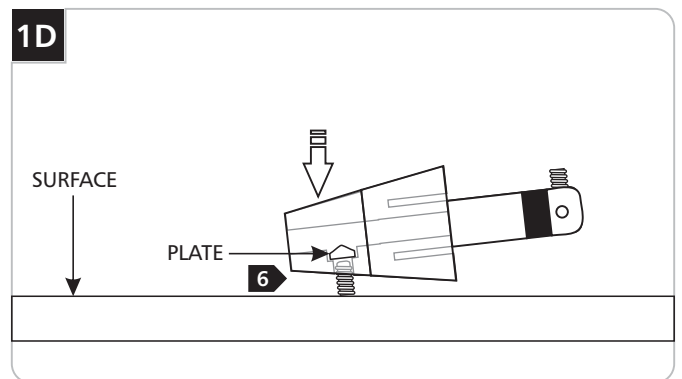
**2** Back out (do not remove) the set screw on the conical connector with the provided Allen wrench.

**3** Pull the coaxial cable out.

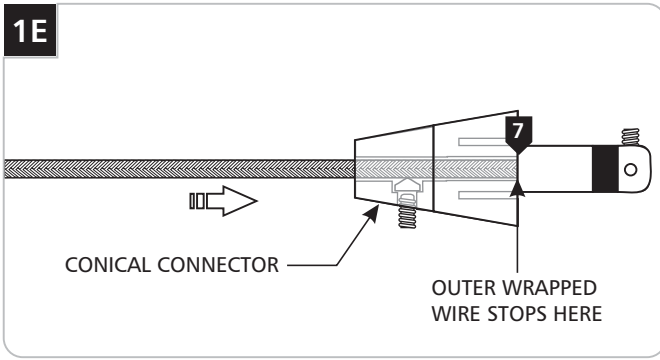


**4** Cut the coaxial cable to the desired length.

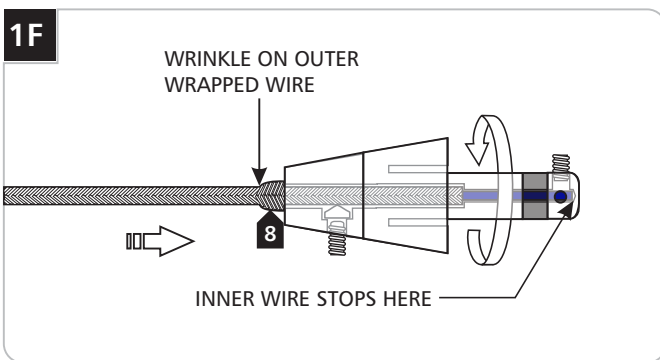
**5** Gently twist the end of the coaxial cable between thumb and forefinger.



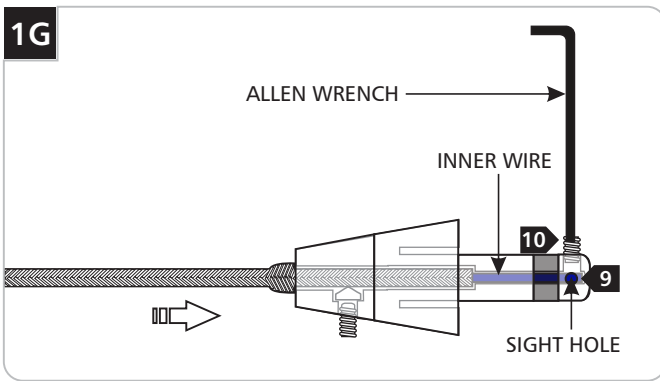
**6** Tap the conical connector on a hard surface with the set screw facing down, so the plate inside drops into place.



**7** Feed and push the coaxial cable into the conical connector. The coaxial cable will come to a stop point after being inserted 3/4" into the conical connector.

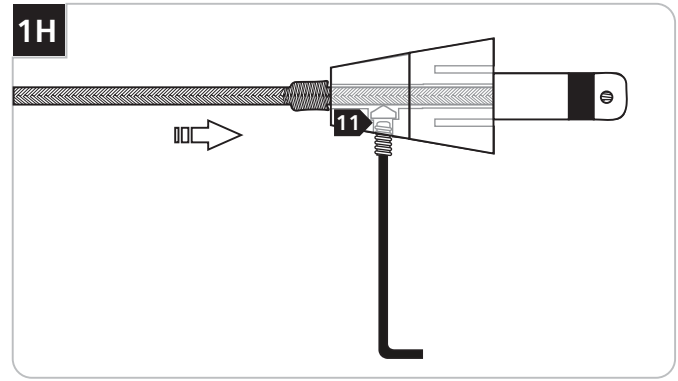


**8** Keep pushing the coaxial cable into the connector while rotating the connector to ease feeding the inner wire into the tip of the connector. The outer wrapped wire will start wrinkling while being inserted another 1/2" into the connector.

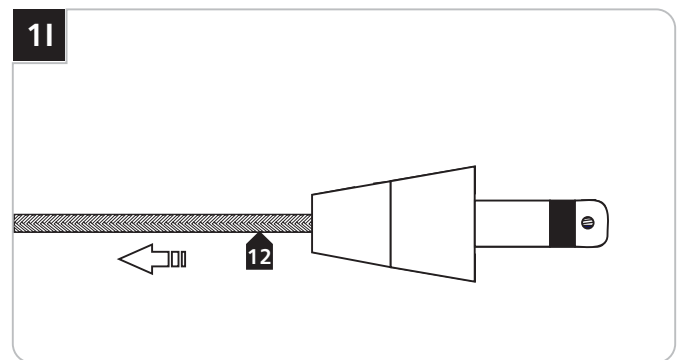


**9** Look into the sight hole on the top of the connector to make sure that the inner wire is contacting the end of the connector.

**10** Hold the coaxial cable in place and tighten the set screw on tip of the connector with the provided Allen wrench. **Make sure this set screw connection is tight.**



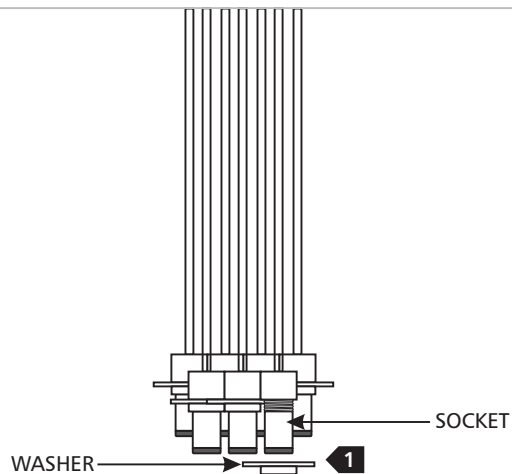
**11** Firmly tighten the set screw on the conical connector.



**12** Pull the coaxial cable toward the fixture to smooth the wrinkles.

## Installing the Lamps & Shades

2A

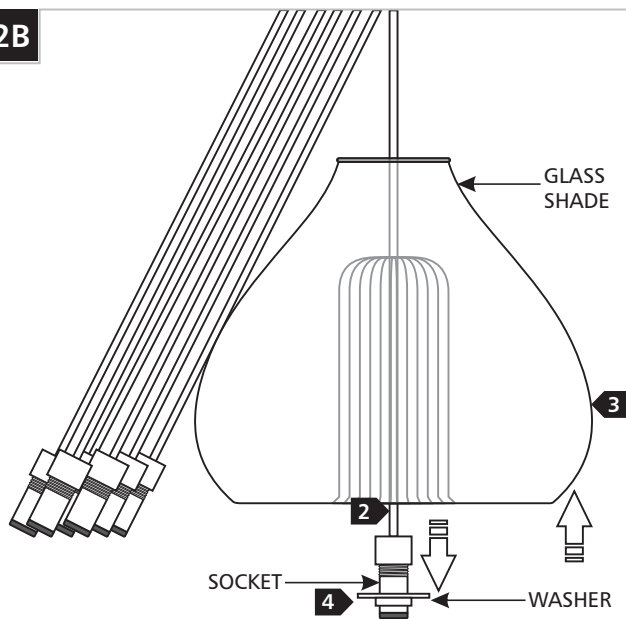


**CAUTION:** To reduce the risk of a burn or electric shock during relamping, disconnect the power to the fixture.

**NOTE:** If using Cheers accessory (optional-not included), refer to the instruction provided with the accessory.

1 ➤ Unscrew to remove the washers from the sockets.

2B

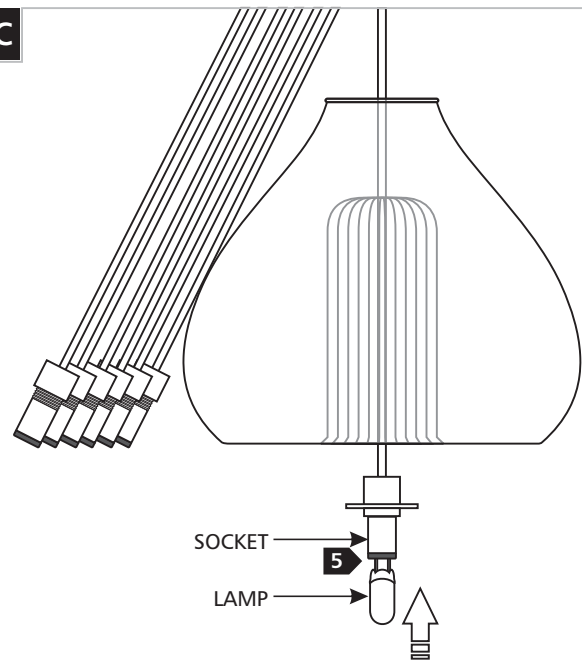


2 ➤ Place a socket into a glass shade.

3 ➤ Slide the glass shade up to expose the socket.

4 ➤ Replace and tighten the washer to the socket.

2C



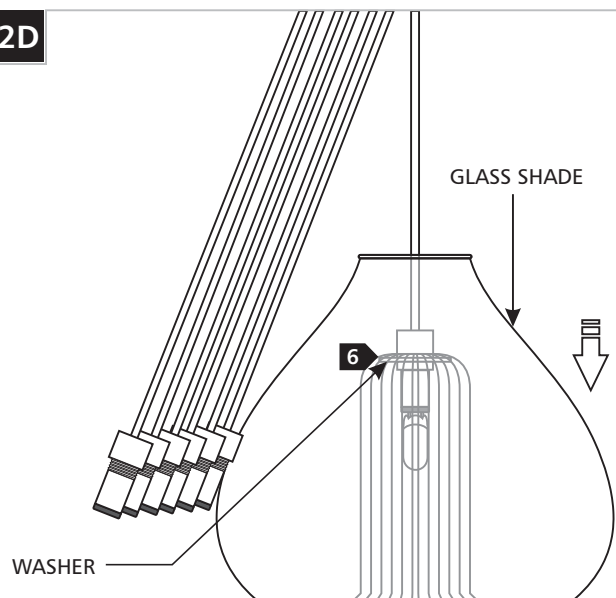
**NOTE:** Use only your fingers and a soft cloth to install or replace the lamp.

Use **MAX 10 Watt Xenon (Xelogen) bi-pin** lamp for each head.



5 ➤ Push the lamp pins all the way into the socket.

2D



6 ➤ Carefully slide the glass shade down so that it rests on top of the washer.

7 ➤ Repeat steps 2 through 6 for the remaining six glass shades.

8 ➤ To replace a lamp, slide the glass shade up, remove the old lamp, and repeat steps 5 and 6.

**SAVE THESE INSTRUCTIONS!**



7400 Linder Ave, Skokie, IL 60077  
847.410.4400

[www.techlighting.com](http://www.techlighting.com)

© 2012 Tech Lighting, L.L.C. All rights reserved. The "Tech Lighting" graphic is a registered trademark of Tech Lighting, L.L.C. Tech Lighting reserves the right to change specifications for product improvements without notification.  
A Generation Brands Company