

Pendant Fixtures

295TDRDC_

2.1



ENCOMPASS LIGHTING GROUP

PENDANTS

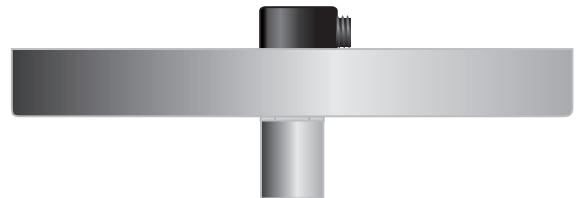
GENERAL PRODUCT INFORMATION:



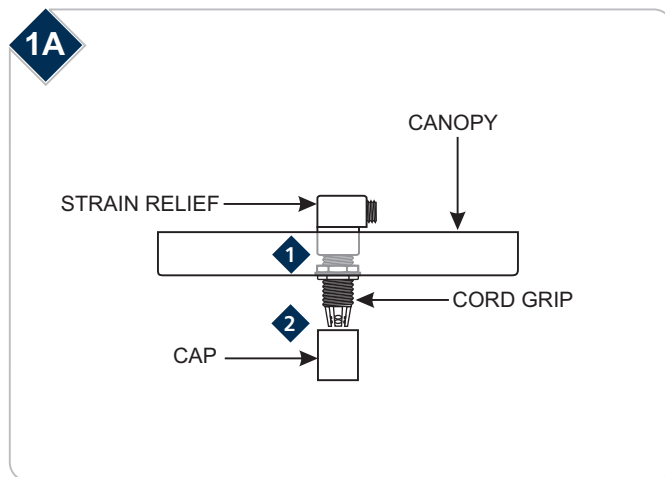
This product is suitable for damp locations.

This product can mount to either a 4" square electrical box with round plaster ring or an octagon electrical box.

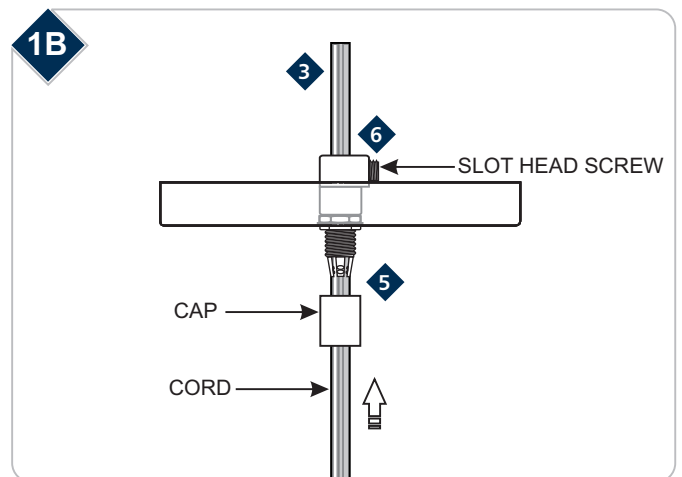
This product can be dimmed with a standard incandescent dimmer.



Shorten the Pendant

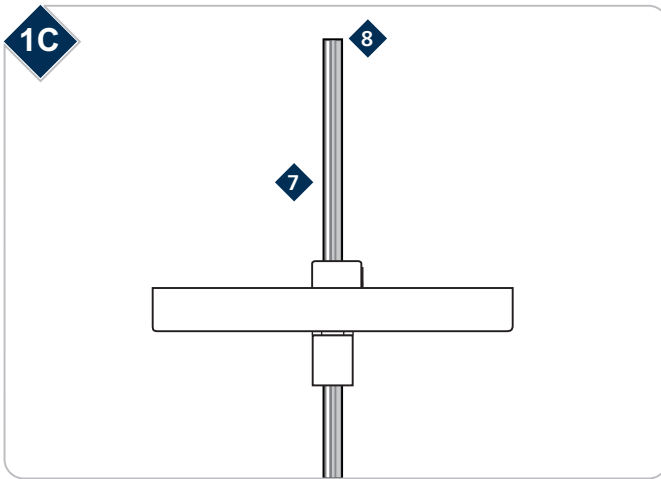


- 1 From back of the canopy tighten the strain relief to the cord grip.
- 2 From front of the canopy remove the cap from cord grip.

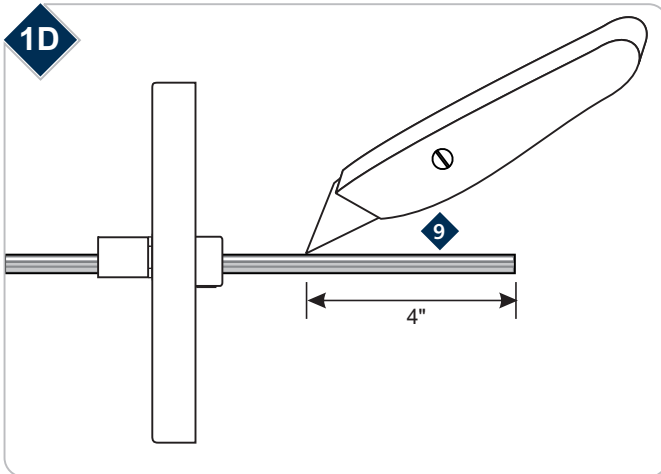


NOTE: Refer to the instructions provided with the pendant fixture to install the fixture shade (if needed) before proceeding with these steps.

- 3 Feed end of the pendant cord through the cap, cord grip, and strain relief into the canopy.
- 4 Adjust the fixture height (from bottom of the fixture shade to top of the canopy) by moving the cord up or down.
- 5 When desired height is achieved, tighten the cap.
- 6 Tighten the strain relief slot head screw.



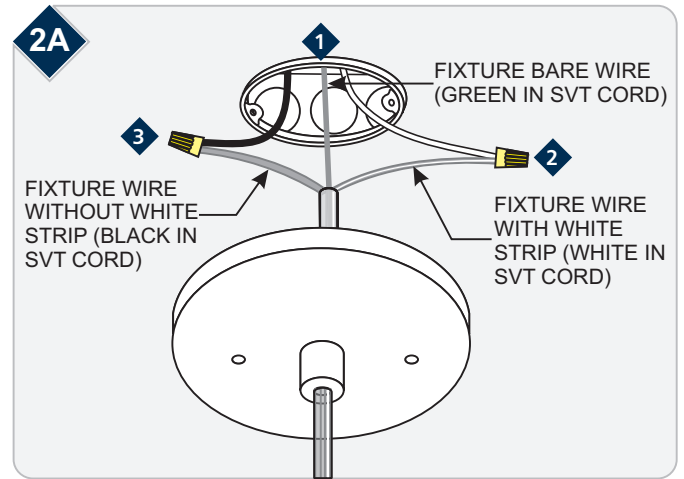
- 7 For power connection, leave at least 6" of the cord exposed in the back of the canopy.
- 8 Cut off the excess cord with a sharp cutter.



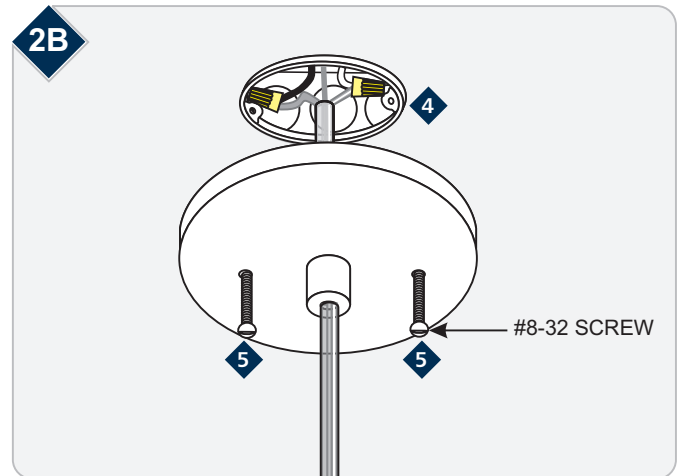
- 9 From the end of the cord, strip the outer insulation 4" using a sharp knife and needlenose pliers. ***Make sure not to cut inner wires.***
- 10 Strip 1/4" of insulation from the inner insulated wires. (three inner insulated wires for standard SVT cord). The bare inner wire is the ground wire (green insulated wire in SVT cord).

SAVE THESE INSTRUCTIONS!

Install the Fixture



- 1 Connect the fixture bare uninsulated wire (green in SVT cord) to the ground in accordance with local electrical codes.
- 2 Connect the fixture wire with the white strip (white in SVT cord) to the 120 volt neutral power line wire with a wire nut.
- 3 Connect the last fixture wire (black in SVT cord) to the 120 volt hot power line wire with a wire nut.



- 4 Place all wires properly into the electrical box.
- 5 Mount the canopy to the electrical box with two #8-32 screws provided.



ENCOMPASS LIGHTING GROUP

7400 Linder Ave, Skokie, IL 60077
847.410.4400

www.encompasslighting.com

© 2008 Encompass Lighting Group. All rights reserved. The "Encompass Lighting Group" graphic is a registered trademark of Encompass Lighting Group. Encompass Lighting Group reserves the right to change specifications for product improvements without notification.

A Generation Brands Company