

# LINE-VOLTAGE PENDANTS/SUSPENSION

## Soda Pendant



### DESCRIPTION

Sleek glass shade infused with bubbles, suspended from a round canopy. Black, satin nickel, and white canopy options highlighted with clear cable; antique bronze highlighted with brown cable. Includes 120 volt, 75 watt or equivalent A19 medium base lamp or 32 watt GX24Q-3 base triple tube compact fluorescent lamp (electronic ballast included). Fixture is provided with six feet of field-cuttable cable. Incandescent version dimmable with standard incandescent dimmer.

### INSTALLATION

This product can mount to either a 4" square electrical box with round plaster ring or an octagon electrical box.

### OTHER

TD includes 4.5" Round Canopy.  
Antique Bronze and Black Finish Only Available on TD.  
CF277 Lamp Only Available on TD.

### ACCESSORIES & OPTICAL CONTROLS

Line-voltage Swag Hook

### WEIGHT

2.9lb / 1.32kg ±

### COLOR OPTIONS



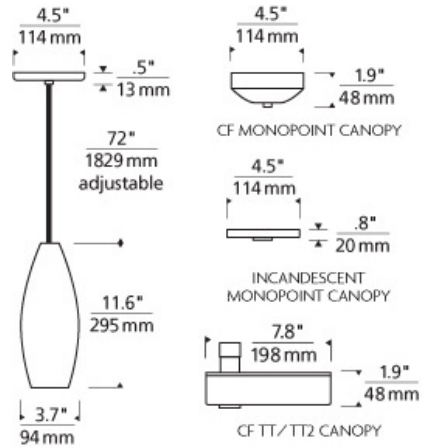
amber



frost



frost



### ORDERING INFORMATION

700 SYSTEM	SDALP	COLOR	FINISH	LAMP
<b>TD</b>	LINE-VOLTAGE PENDANTS/SUSPENSION	<b>A</b> AMBER	<b>Z</b> ANTIQUE BRONZE	INCANDESCENT 120V
<b>TT</b>	SINGLE-CIRCUIT T-TRAK	<b>F</b> FROST	<b>B</b> BLACK	<b>-CF</b> COMPACT FLUORESCENT 120V
<b>TT2</b>	TWO-CIRCUIT T-TRAK		<b>S</b> SATIN NICKEL	<b>-CF277</b> COMPACT FLUORESCENT 277V
			<b>W</b> WHITE	

For use on Halo\*, Juno\* or Lightolier\* 120 volt single-circuit track, order as follows:

**Incandescent:** Order pendant as **700TD** and order appropriate [120V Track Adapter](#)

**Compact Fluorescent:** Substitute 700TD with one of the following: **700TH** (fits Halo\*), **700TJ** (fits Juno\*) or **700TI** (fits Lightolier\*) and by substituting the finish with one of the following: **BZ** (Black/Antique Bronze), **BS** (Black/Satin Nickel), **WZ** (White/Antique Bronze) or **WS** (White/Satin Nickel).

\*Tech Lighting is not affiliated, nor is it endorsed by any of the companies listed nor does Tech Lighting distribute any of their products.



700 ____ SDALP ____
FIXTURE TYPE: _____
JOB NAME: _____
NOTES: _____
_____
_____



©2014 Tech Lighting, L.L.C. All Rights Reserved. The "Tech Lighting" graphic is a registered trademark of Tech Lighting, L.L.C. Tech Lighting reserves the right to change specifications for product improvements without notification.