

LINE-VOLTAGE PENDANTS/SUSPENSION

Ryker Pendant



DESCRIPTION

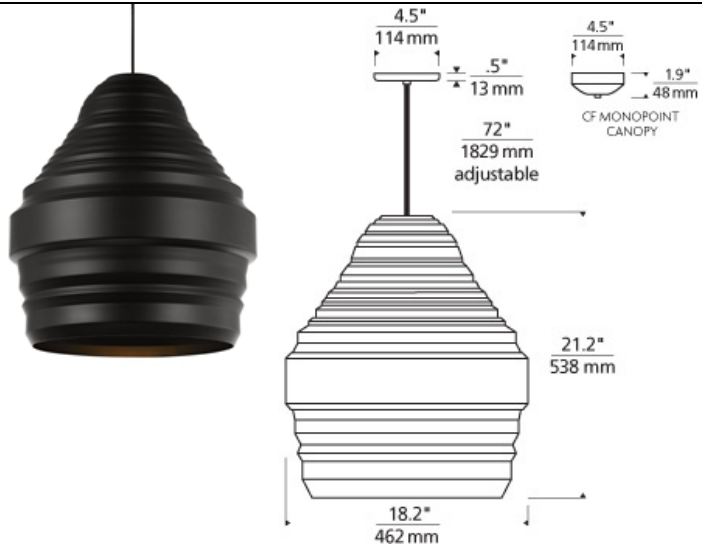
Elegantly simple yet visually complex, its scale and silhouette combine to give a fresh take on large, warehouse-inspired design. The spun metal shade is formed into varying angular planes to create depth and dimension. Its crisp inflections are softened by a matte, rubberized finish to complete the modern industrial aesthetic. Inside, an incandescent globe lamp or blown glass cover for the compact fluorescent option ensures the fixture is beautiful from every angle. Includes 120V, 150 watt G40 globe lamp or 32 watt GX24Q-3 base triple tube compact fluorescent lamp. LED version ships with one 120V, 19 watt A21 Philips LED lamp. Fixture provided with six feet of field-cutttable cloth cord to match finish selection. Incandescent and LED versions are dimmable with standard incandescent dimmer.

INSTALLATION

This product can mount to either a 4" square electrical box with round plaster ring or an octagonal electrical box (not included).

WEIGHT

9.70lb / 4.4kg ±



ORDERING INFORMATION

700 SYSTEM RYKP

FINISH

LAMP

TD LINE-VOLTAGE PENDANTS/SUSPENSION

BB BLACK/BLACK
Y GRAY/GRAY
WWWHITE/WHITE

INCANDESCENT 120V
-CF COMPACT FLUORESCENT 120V
-CF277 COMPACT FLUORESCENT 277V
-LED LED 2700K 120V



TECH LIGHTING®

7400 Linder Avenue
Skokie, Illinois 60077

T 847.410.4400
F 847.410.4500

Tech Lighting, L.L.C.

700 ____ RYKP ____

FIXTURE TYPE: _____

JOB NAME: _____

NOTES: _____



©2014 Tech Lighting, L.L.C. All Rights Reserved. The "Tech Lighting" graphic is a registered trademark of Tech Lighting, L.L.C. Tech Lighting reserves the right to change specifications for product improvements without notification.