

# LINE-VOLTAGE PENDANTS/SUSPENSION

## Fire Grande Pendant

### DESCRIPTION

Rich translucent glass surrounds a frost glass diffuser. Black, satin nickel, and white finish options highlighted with a satin nickel detail and clear cable; antique bronze finish includes antique bronze detail and brown cable. Includes 120 volt, 40 watt G9 base halogen lamp or 26 watt GX24Q-3 base triple tube compact fluorescent lamp (electronic ballast included). May also be lamped with 32 watt GX24Q-3 base triple tube compact fluorescent lamp (not included). Fixture provided with six feet of field-cutable cable Incandescent version dimmable with standard incandescent dimmer.

### INSTALLATION

This product can mount to either a 4" square electrical box with round plaster ring or an octagon electrical box.

### OTHER

TD includes 4.5" Round Canopy.  
Antique Bronze and Black Finish Only Available on TD.

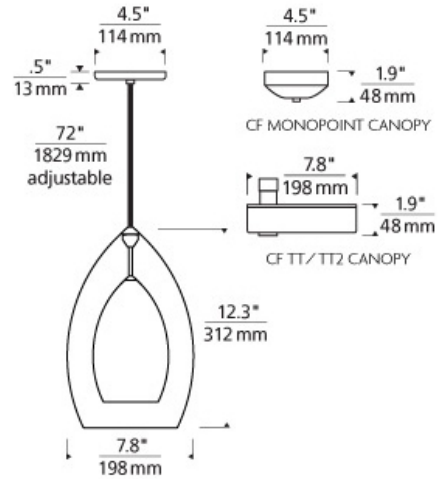
### WEIGHT

3.56lb / 1.61kg ±

### COLOR OPTIONS



steel blue



### ORDERING INFORMATION

700 SYSTEM	FIRGP	COLOR	FINISH	LAMP
TD	LINE-VOLTAGE PENDANTS/SUSPENSION	A AMBER	Z ANTIQUE BRONZE	INCANDESCENT 120V
TT	SINGLE-CIRCUIT T-TRAK	C CLEAR	B BLACK	-CF COMPACT FLUORESCENT 120V
TT2	TWO-CIRCUIT T-TRAK	N HAVANA BROWN	S SATIN NICKEL	
		K SMOKE	W WHITE	
		U STEEL BLUE		

For use on Halo\*, Juno\* or Lightolier\* 120 volt single-circuit track, order as follows:

**Incandescent:** Order pendant as **700TD** and order appropriate [120V Track Adapter](#)

**Compact Fluorescent:** Substitute 700TD with one of the following: **700TH** (fits Halo\*), **700TJ** (fits Juno\*) or **700TI** (fits Lightolier\*) and by substituting the finish with one of the following: **BZ** (Black/Antique Bronze), **BS** (Black/Satin Nickel), **WZ** (White/Antique Bronze) or **WS** (White/Satin Nickel).

\*Tech Lighting is not affiliated, nor is it endorsed by any of the companies listed nor does Tech Lighting distribute any of their products.



**TECH LIGHTING®**

7400 Linder Avenue T 847.410.4400  
Skokie, Illinois 60077 F 847.410.4500

Tech Lighting, L.L.C.

700	___	FIRGP	___	___	___
FIXTURE TYPE: _____					
JOB NAME: _____					
NOTES: _____					
_____					
_____					



©2014 Tech Lighting, L.L.C. All Rights Reserved. The "Tech Lighting" graphic is a registered trademark of Tech Lighting, L.L.C.  
Tech Lighting reserves the right to change specifications for product improvements without notification.