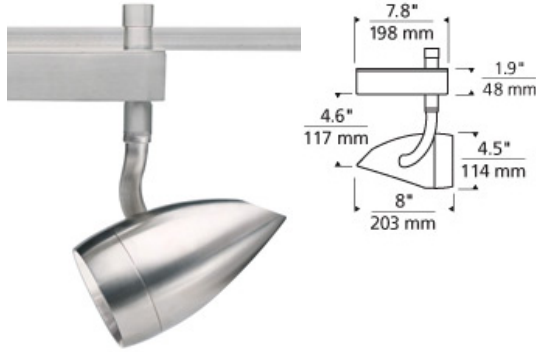


LINE - VOLTAGE HEADS

Breeze Ceramic Metal Halide T4 Head

DESCRIPTION

Organic shaped die cast aluminum head, pivots vertically 180°, rotates horizontally 350°. Features vertical and horizontal locking mechanisms and decorative lens ring. Four beam spread options with specular reflector and UV filtering glass lens. Includes energy-saving electronic ballast in slim aluminum die cast housing. Input voltage 120v 50/60 hertz, THD <10%. Power Jack version is compatible with Power Jack Canopy with ballast (sold separately). Ceramic metal halide T4.5 lamp with G8.5 base up to 70 watts (lamp not included). Holds up to two PAR30 size lenses or louvers, sold separately.



solid metal

OTHER

PHOTOMETRIC REPORTS

15° 39 Watt: lv_hds_breeze_CMH_t4_15.ies
 30° 39 Watt: lv_hds_breeze_CMH_t4_30.ies
 45° 39 Watt: lv_hds_breeze_CMH_t4_45.ies
 60° 39 Watt: lv_hds_breeze_CMH_t4_60.ies

ACCESSORIES & OPTICAL CONTROLS

Colored Lens, Dichroic Lens, Diffuser Lens, Linear Spread Lens, Soft Focus Lens, UV Filter

WEIGHT

4.9lb / 2.22kg ±

COLOR OPTIONS



amber

cobalt

frost

solid metal

ORDERING INFORMATION

700 SYSTEM	BZT4	SHAPE OR SIZE	COLOR	FINISH
PJ	POWERJACK	12 15° BEAM SPREAD 20 WATT	A AMBER	S SATIN NICKEL
TT	SINGLE-CIRCUIT T-TRAK	13 15° BEAM SPREAD 39 WATT	B COBALT	W WHITE
TT2	TWO-CIRCUIT T-TRAK	17 15° BEAM SPREAD 70 WATT	F FROST	
		32 30° BEAM SPREAD 20 WATT	S SOLID METAL	
		33 30° BEAM SPREAD 39 WATT		
		37 30° BEAM SPREAD 70 WATT		
		42 45° BEAM SPREAD 20 WATT		
		43 45° BEAM SPREAD 39 WATT		
		47 45° BEAM SPREAD 70 WATT		
		62 60° BEAM SPREAD 20 WATT		
		63 60° BEAM SPREAD 39 WATT		
		67 60° BEAM SPREAD 70 WATT		



7400 Linder Avenue T 847.410.4400
 Skokie, Illinois 60077 F 847.410.4500

Tech Lighting, L.L.C.

700 ____ BZT4 _____

FIXTURE TYPE: _____

JOB NAME: _____

NOTES: _____



©2014 Tech Lighting, L.L.C. All Rights Reserved. The "Tech Lighting" graphic is a registered trademark of Tech Lighting, L.L.C. Tech Lighting reserves the right to change specifications for product improvements without notification.