

# FLUSH & SEMI-FLUSH MOUNT

## Kylark Flush Mount Ceiling



### DESCRIPTION

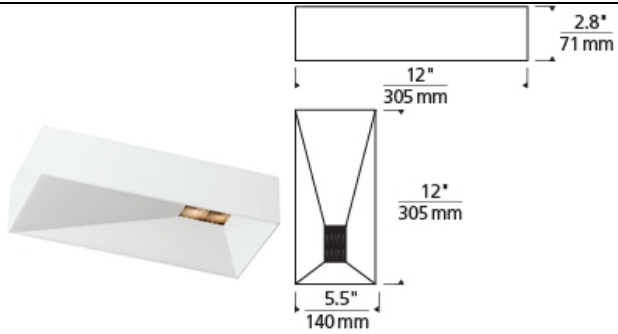
Inspired by the asymmetrical roof line of a European structure, this simple rectangular fixture features angular planes converging to an offset high-powered LED light source. An integrated hexcell louver helps minimize glare. Includes 12 watt, 1000 net lumen, 3000K LED module. Dimmable with low-voltage electronic dimmer.

### INSTALLATION

This product can mount to either a 4" square electrical box with round plaster ring or an octagonal electrical box (not included).

### WEIGHT

3.54lb / 1.61kg ±



### ORDERING INFORMATION

700FMKYL FINISH

LAMP

Z ANTIQUE BRONZE  
S SATIN NICKEL  
W WHITE

-LED3 LED 3000K 120V  
-LED3-277 LED 3000K 277V



**TECH LIGHTING®**

7400 Linder Avenue  
Skokie, Illinois 60077

T 847.410.4400  
F 847.410.4500

Tech Lighting, L.L.C.

700FMKYL \_\_\_\_\_

FIXTURE TYPE: \_\_\_\_\_

JOB NAME: \_\_\_\_\_

NOTES: \_\_\_\_\_



©2014 Tech Lighting, L.L.C. All Rights Reserved. The "Tech Lighting" graphic is a registered trademark of Tech Lighting, L.L.C. Tech Lighting reserves the right to change specifications for product improvements without notification.