

LINE-VOLTAGE PENDANTS/SUSPENSION

Powell Street Pendant

DESCRIPTION

Spun metal shade coated in a luxurious high gloss black or white paint for a truly dramatic appearance. Black, satin nickel, and white finish options include clear cable. Includes 120 volt, 150 watt or equivalent medium base G40 globe lamp or 32 watt GX24Q-3 triple tube compact fluorescent lamp surrounded by a blown white glass globe diffuser. Fixture is provided with six feet of field cuttable-cable. Incandescent version dimmable with standard incandescent dimmer.

INSTALLATION

This product can mount to either a 4" square electrical box with round plaster ring or an octagon electrical box.

OTHER

TD includes 4.5" Round Canopy.
Black Finish Only Available on TD.
CF277 Lamp Only Available on TD.

ACCESSORIES & OPTICAL CONTROLS

Line-voltage Swag Hook

WEIGHT

5.5lb / 2.49kg ±

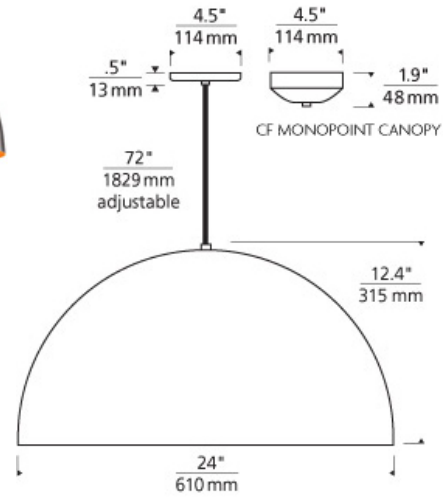
COLOR OPTIONS



gloss black/white gloss white/white satin nickel/sunrise orange satin nickel/white



satin nickel/sunrise orange



ORDERING INFORMATION

700 SYSTEM	PSP24	COLOR	FINISH	LAMP		
TD	LINE-VOLTAGE PENDANTS/SUSPENSION	BW	GLOSS BLACK/WHITE	B	BLACK	INCANDESCENT 120V
TT	SINGLE-CIRCUIT T-TRAK	WW	GLOSS WHITE/WHITE	S	SATIN NICKEL	-CF COMPACT FLUORESCENT 120V
TT2	TWO-CIRCUIT T-TRAK	SO	SATIN NICKEL/SUNRISE ORANGE	W	WHITE	-CF277 COMPACT FLUORESCENT 277V
		SW	SATIN NICKEL/WHITE			



TECH LIGHTING®
7400 Linder Avenue T 847.410.4400
Skokie, Illinois 60077 F 847.410.4500

Tech Lighting, L.L.C.

700 ____ PSP24 ____

FIXTURE TYPE: _____

JOB NAME: _____

NOTES: _____
