

90 Small

700FM90S_

1.1



GENERAL PRODUCT INFORMATION:

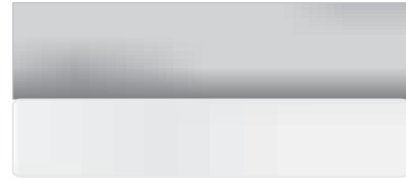


This product can mount to either a 4" square electrical box with round plaster ring or an octagon electrical box.

This product is suitable for wet locations.

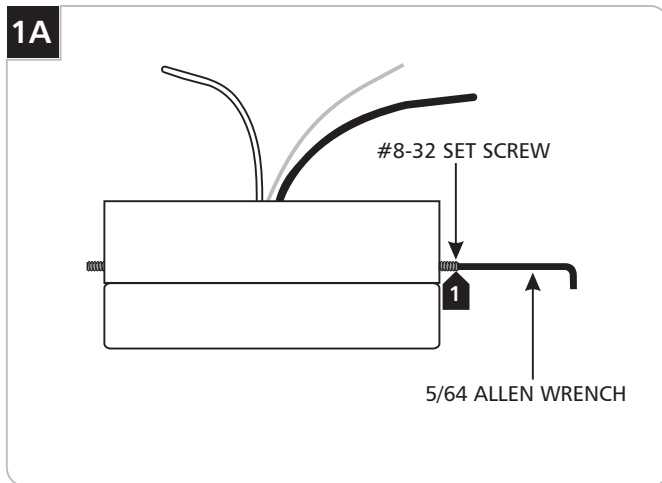
This product can be dimmed with a standard incandescent dimmer.

This product may be ceiling or wall mounted.

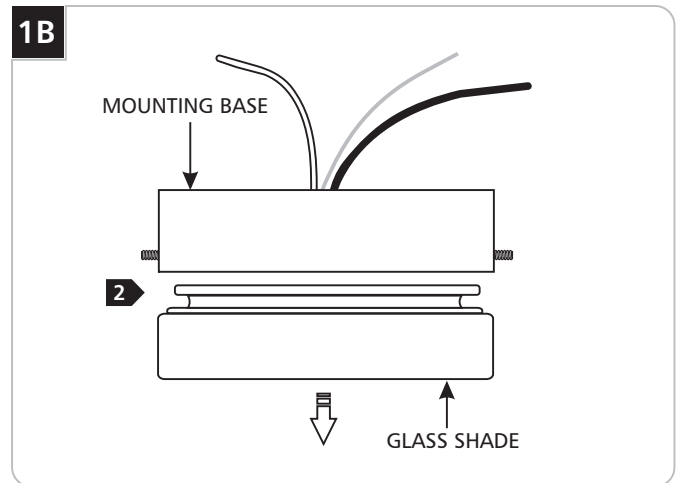


CAUTION - RISK OF FIRE
 This product must be installed in accordance with the applicable installation code by a person familiar with the construction and operation of the product and the hazards involved.
 Use minimum 90°C supply conductors.

Install the Fixture

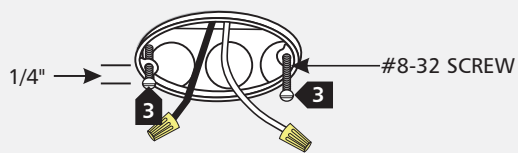


1 Back out (DO NOT REMOVE) the two #8-32 set screws for 1/4" with the 5/64 Allen wrench.



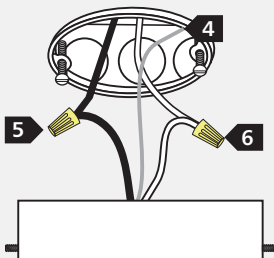
2 Carefully pull out the glass shade from the mounting base.

1C



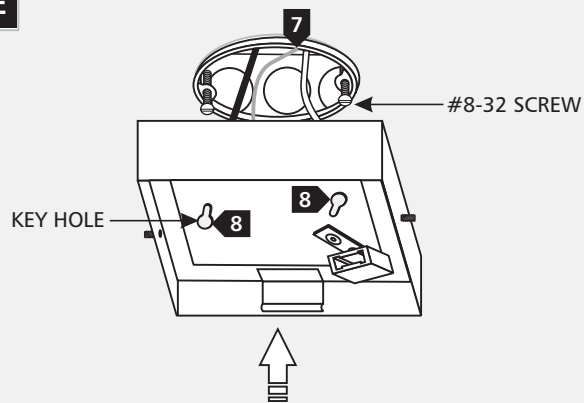
- 3 Thread (NOT COMPLETELY) the two #8-32 screws into the electrical box holes leaving 1/4" of them exposed.

1D



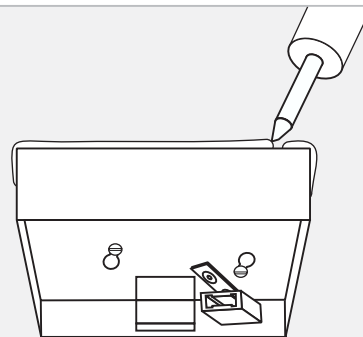
- 4 In accordance with local electrical codes, ground the fixture bare wire.
- 5 Connect the fixture black wire to the power line hot wire with a wire nut.
- 6 Connect the fixture white wire to the power line neutral wire with a wire nut.

1E



- 7 Place all wires and wire nut connections into the electrical box.
- 8 Using the key holes, hook the mounting base onto the #8-32 screws. Tighten the #8-32 screws.

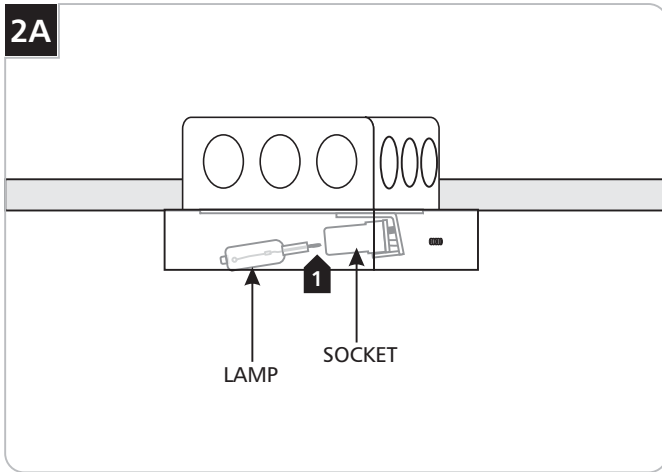
1F



- 9 For wet location installation, caulk around the mounting base with waterproof construction sealant.

Install the Lamp and Shade

2A

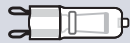


CAUTION: To reduce the risk of a burn or electric shock during relamping, disconnect the power to the fixture.

NOTE: The G9 lamp has an integral glass envelope and is thus safe to be used without a lamp shield.

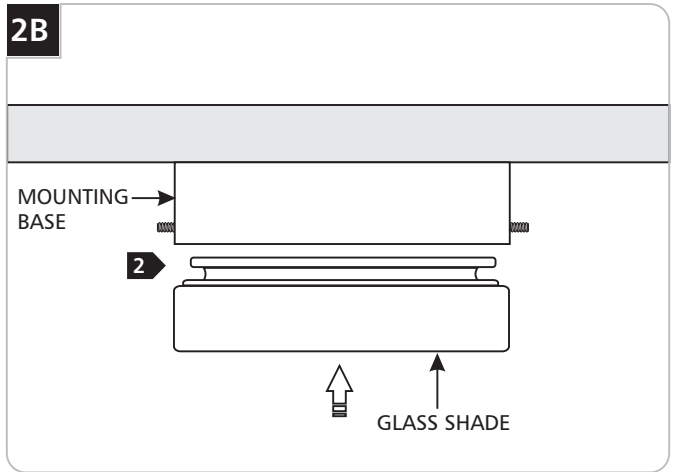
NOTE: Use only your fingers and a soft cloth to replace the lamp.

Use **MAX** 120 Volt, **40** Watt Type T4, G9 Base, Bi-Pin Halogen Lamp.



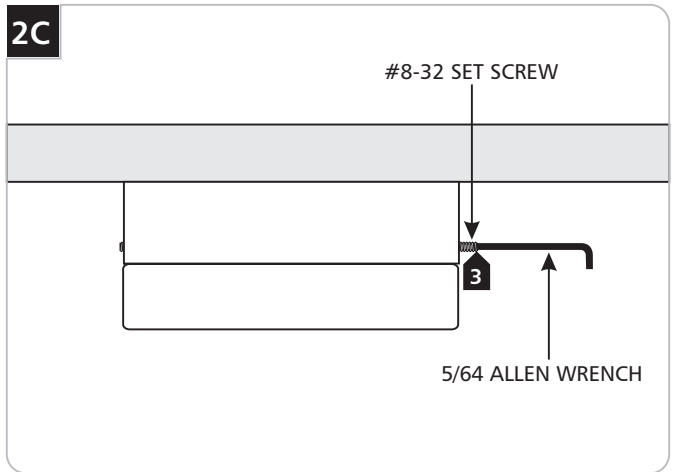
1 Push the lamp completely into the socket.

2B



2 Push the glass shade completely into the mounting base until it snaps properly into the springs.

2C



3 Tighten the two #8-32 set screws with the 5/64 Allen wrench.

NOTE: To replace the lamp, reverse section 2.

IMPORTANT SAFETY INSTRUCTIONS

To reduce the risk of fire, electrical shock, exposure to excessive UV radiation, or injury to person:

- Use this fixture indoors only.
- Do not look directly at the lighted lamp.
- Do not remain in light if skin feels warm.
- Risk of fire: Use only the type of lamp and maximum wattage indicated in this instruction manual.
- Never cover the halogen lamp with anything other than a Tech Lighting lamp shield and never place flammable material close to your fixture.
- Do not touch the fixture shades or lamp shield while the fixture is on. These surfaces may be HOT.
- To avoid glare in child's eyes, hang the fixture at least 18" above a table.

Halogen Lamp General Information

- It is normal for a new halogen lamp to smoke slightly on first use. The protective coating is being vaporized.

Prolonging Halogen Lamp Life

- Do not touch the lamp with bare hands. Any contaminant, even the oil from your hands can deteriorate the lamp. Handle the lamp with a soft, clean cloth. Rubbing alcohol can be used to remove any contaminant from the lamp.
- Do not run the lamps at full power when you do not need to. However, if dimming the fixture for an extended period of time, occasionally bring the light up to full brightness for a few minutes to complete the halogen cycle.

SAVE THESE INSTRUCTIONS!



TECH LIGHTING®

7400 Linder Ave, Skokie, IL 60077
847.410.4400

www.techlighting.com

© 2014 Tech Lighting, L.L.C. All rights reserved. The "Tech Lighting" graphic is a registered trademark of Tech Lighting, L.L.C. Tech Lighting reserves the right to change specifications for product improvements without notification.
A Generation Brands Company