

# Mail Package Drops



#4375 attached to bolt mounted pedestal (#4395) with custom numbers / letters (see page 101) displayed

ALL ALUMINUM CONSTRUCTION

**custom**  
Numbers / Letters see page 101



Front view of #4375 displayed



Rear view of #4375 displayed



4375

bolt mounted pedestal #4395

## MAIL PACKAGE DROPS - U.S.P.S. APPROVED

Made entirely of aluminum, Salsbury U.S.P.S. approved 4300 series mail package drops feature both a front and rear access locking door. Mail is deposited through a non-locking access panel on the front. Each unit includes an outgoing mail tray, a lock with two (2) keys on each door (keyed alike) and an adjustable red signal flag. Units are available in a powder coated black, green, silver or white finish. Mail package drops can be mounted on the optional bolt mounted (#4395) or in-ground mounted (#4385) aluminum pedestals or a base of your choice. Non-locking thumb latches (#4388) are available as an option upon request. Mail package drops are approved for U.S.P.S. curbside mail delivery. Master postal lock not required.

## CUSTOM ENGRAVED PLACARDS

8-1/2" W x 2" H custom engraved self-adhesive placards are available as an option upon request. (#4367 - \$15.00)

ABC STEEL CO.

123 MAIN STREET

## REPLACEMENT FLAGS

Made of heavy duty aluminum, mail package drop replacement signal flags have a durable powder coated red finish and include stainless steel mounting hardware.

### 4316 Replacement Flag

- 2-3/4" W x 8" H x 1/4" D
- 1 lb.
- \$10.00

4316



bolt mounted pedestal #4395



in-ground mounted pedestal #4385



in-ground mounted pedestal #4385

order pedestals separately

**MAIL PACKAGE DROPS - FRONT AND REAR ACCESS - U.S.P.S. APPROVED**

MODEL	DESCRIPTION	UNIT SIZE	WEIGHT	PRICE
4375 <sup>1</sup>	Mail Package Drop - front and rear access	14-3/8" W x 36" H x 23" D	50 lbs.	\$300.00
4395 <sup>1</sup>	Pedestal - bolt mounted	3-1/2" W x 16" H x 3-1/2" D	10 lbs.	\$80.00
		top & base: 6" W x 12" D		
4385 <sup>1</sup>	Pedestal - in-ground mounted	3-1/2" W x 48" H x 3-1/2" D	20 lbs.	\$80.00
		top: 6" W x 12" D		
4390	Lock set - (2) standard replacement locks (keyed alike) - with (2) keys each			\$15.00
4394	Pedestal mounting kit - (4) anchor (j) bolts - for new concrete installations		3 lbs.	\$25.00

<sup>1</sup> Specify



black



green



silver

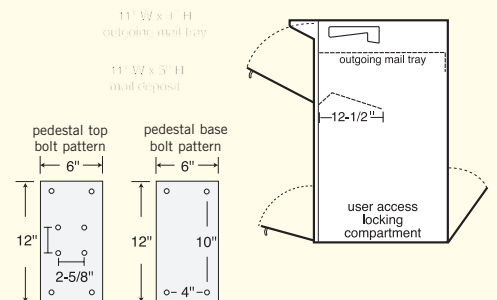


white



A non-locking thumb latch is available as an option upon request (#4388 - \$10.00)

**FRONT AND REAR ACCESS ON #4375**



**Volume Discount Pricing Available On-Line!**