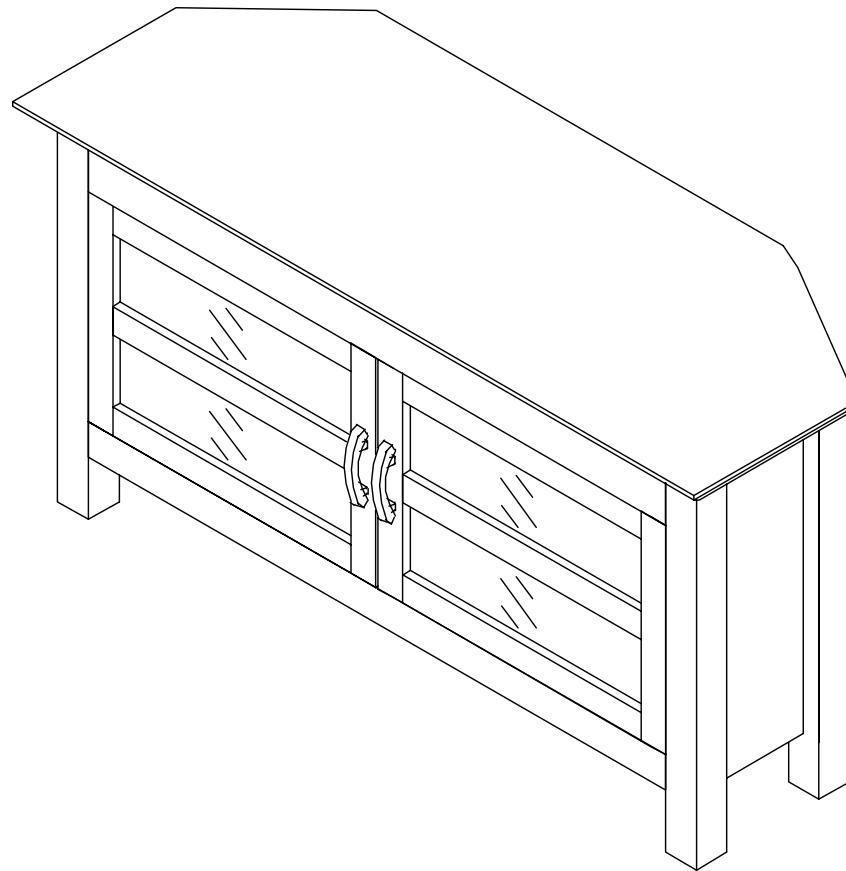




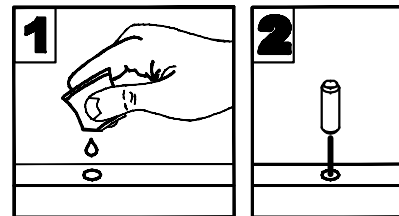
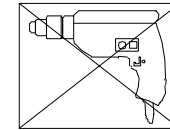
W44CCRBL, W44CCRMB ASSEMBLY INSTRUCTIONS



For our most up-to-date instructions, to request missing, lost, or broken parts, or for any other Customer Service issues, please visit our website at www.walkerredison.com or call us at 1-877-207-5906.

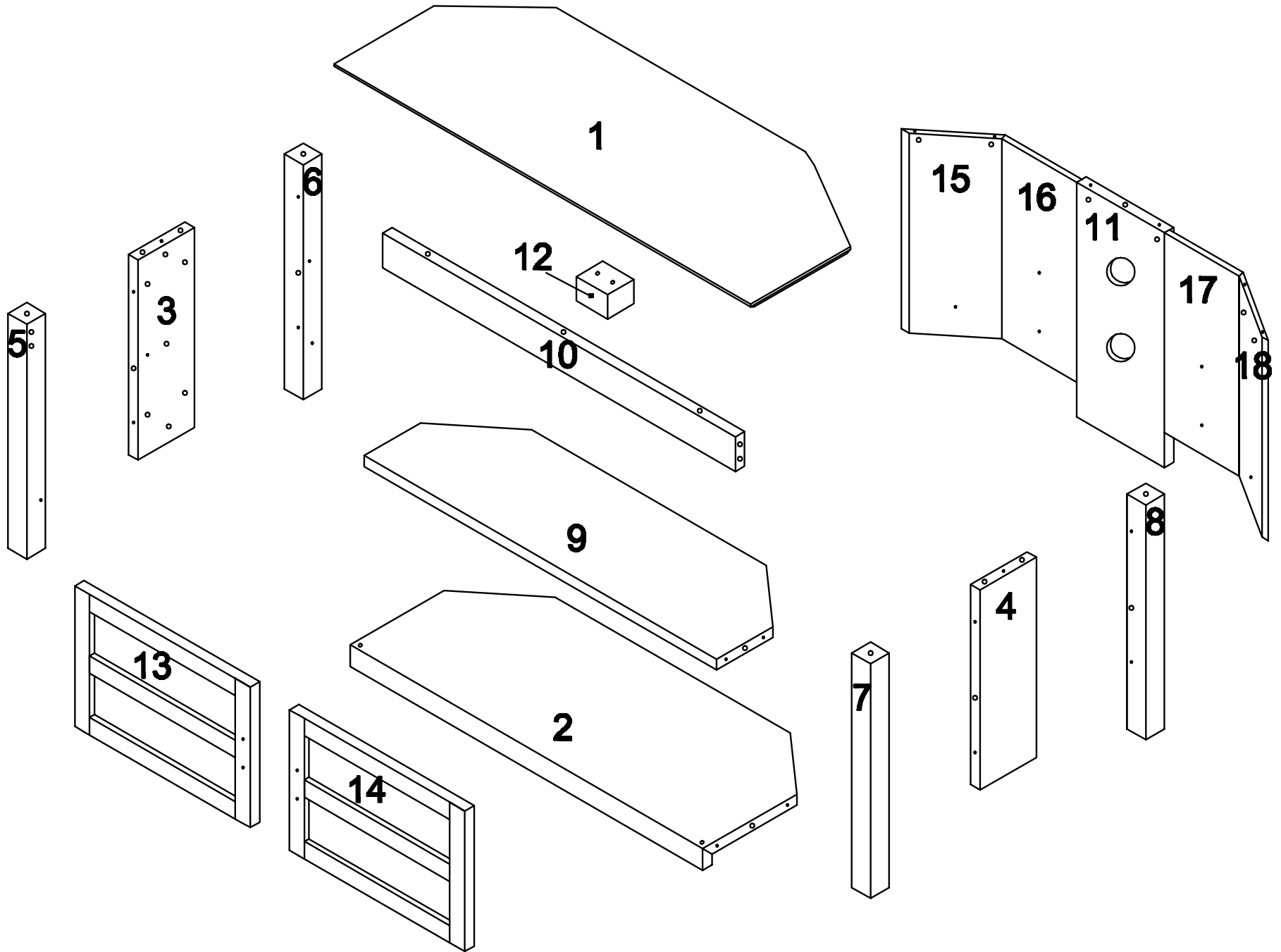
General Assembly Guidelines

- I. Ensure that all parts are available before beginning assembly.
- II. Follow each step carefully to ensure proper assembly of this product.
- III. The four (4) types of hardware used to assemble this TV console are: wood dowels, cam and bolt, hex-head bolts, and screws.
- IV. Two people are recommended for ease in assembly of this product.
- V. Power tools should not be used to assemble this product.
- VI. To attach wood dowels, place provided glue in the holes before inserting dowel.
Wipe away excess glue immediately.


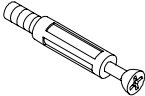
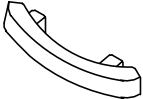

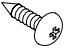
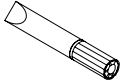

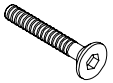
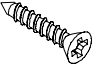

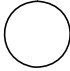
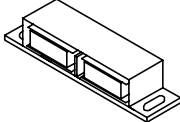

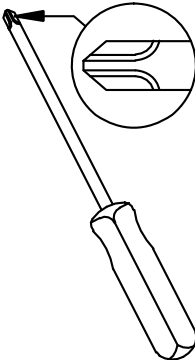
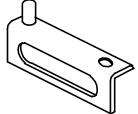
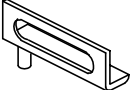



For our most up-to-date instructions, to request missing, lost, or broken parts, or for any other Customer Service issues, please visit our website at www.walkeredison.com or call us at 1-877-207-5906.

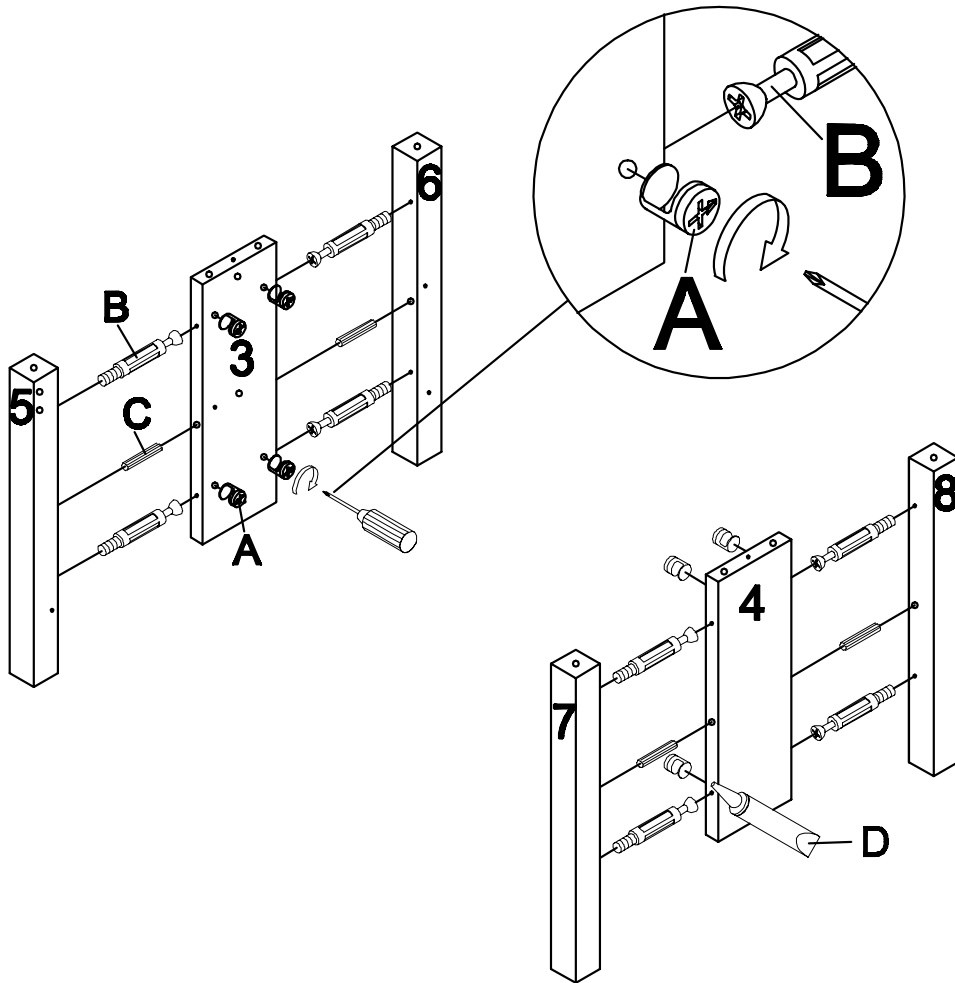
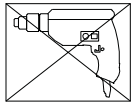
W44CCRBL, W44CCRMB Parts List



W44CCRBL, W44CCRMB Hardware List

A. Cam lock		24 pcs				
B. Cam bolt		24 pcs		N. Handle		2 pcs
C. Dowel		24 pcs		P. Screw		4 pcs
D. Glue tube		2 pcs		Q. Plastic Pivot		4 pcs
E. Screw (6x50mm)		10 pcs		U. Screw		2 pcs
F. Hex wrench		1 pc		Sticker		26 pcs
G. Door stopper		1 pc		<p style="font-size: small;">* The hardware quantities listed are required for proper assembly. Some extra hardware may have also been included.</p>		
H. Screw (3x12mm)		10 pcs			<p>Phillips head screwdriver required for assembly (not included)</p>	
I. Door Hinge		2 pcs				
J. Door Hinge		2 pcs				
K. Screw		2 pcs				

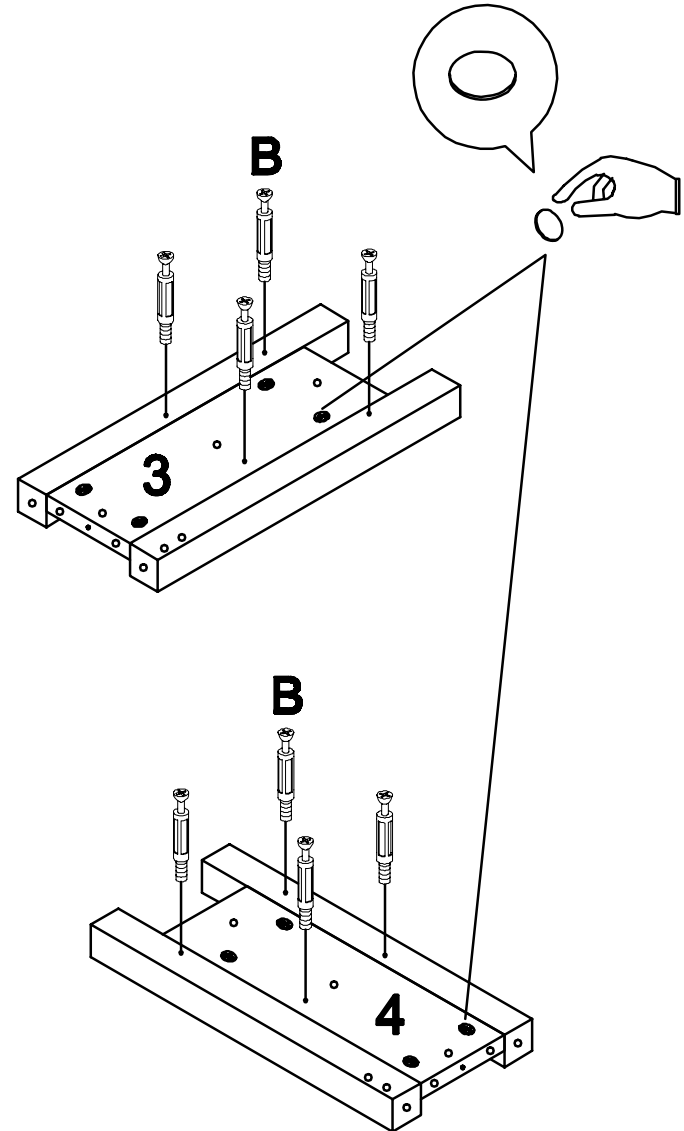
Step 1



Insert dowels (C) and cam bolts (B) into side panels (3 & 4).
(Apply glue (D) to dowels as directed in the "General Assembly Guidelines")
Attach the legs (5,6,7,8) to the side panels (3 & 4) as shown in the diagram.
Tighten cam locks (A) using a screwdriver as shown.

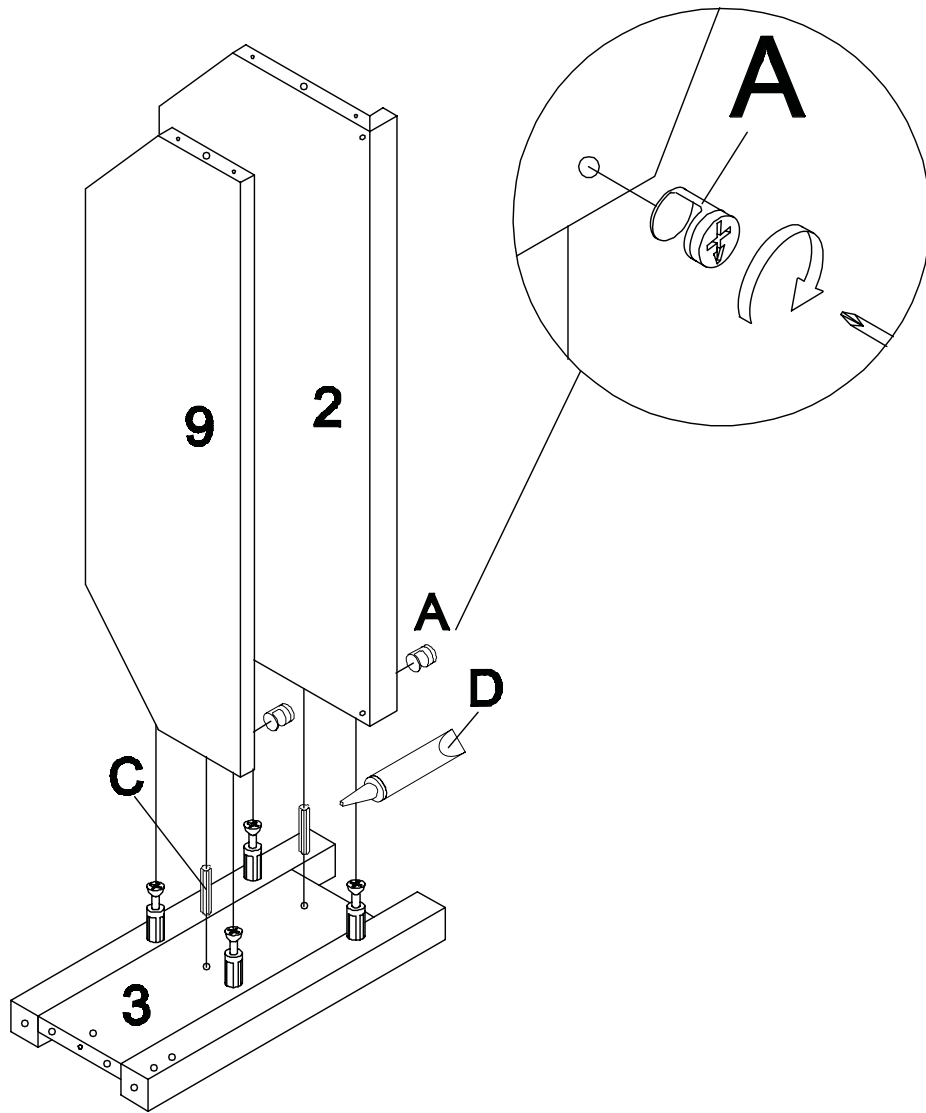
Step 2

Sticker X 8



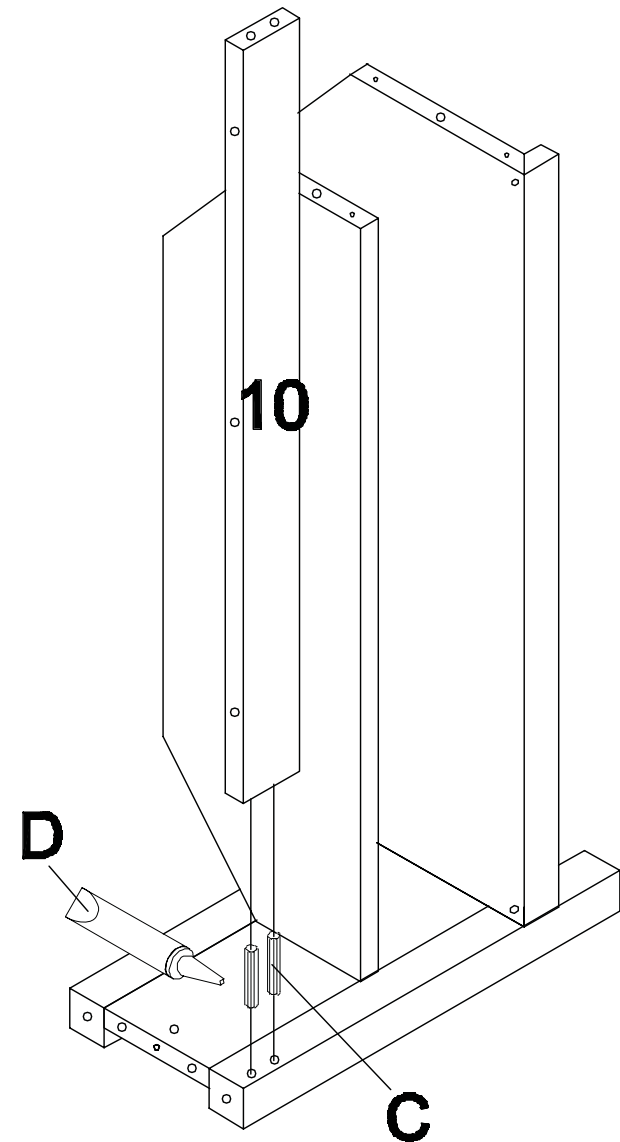
Attach cam bolts (B) to side panel assemblies (3 & 4).
Cover cam locks (A) using the provided stickers as shown in the diagram.

Step 3



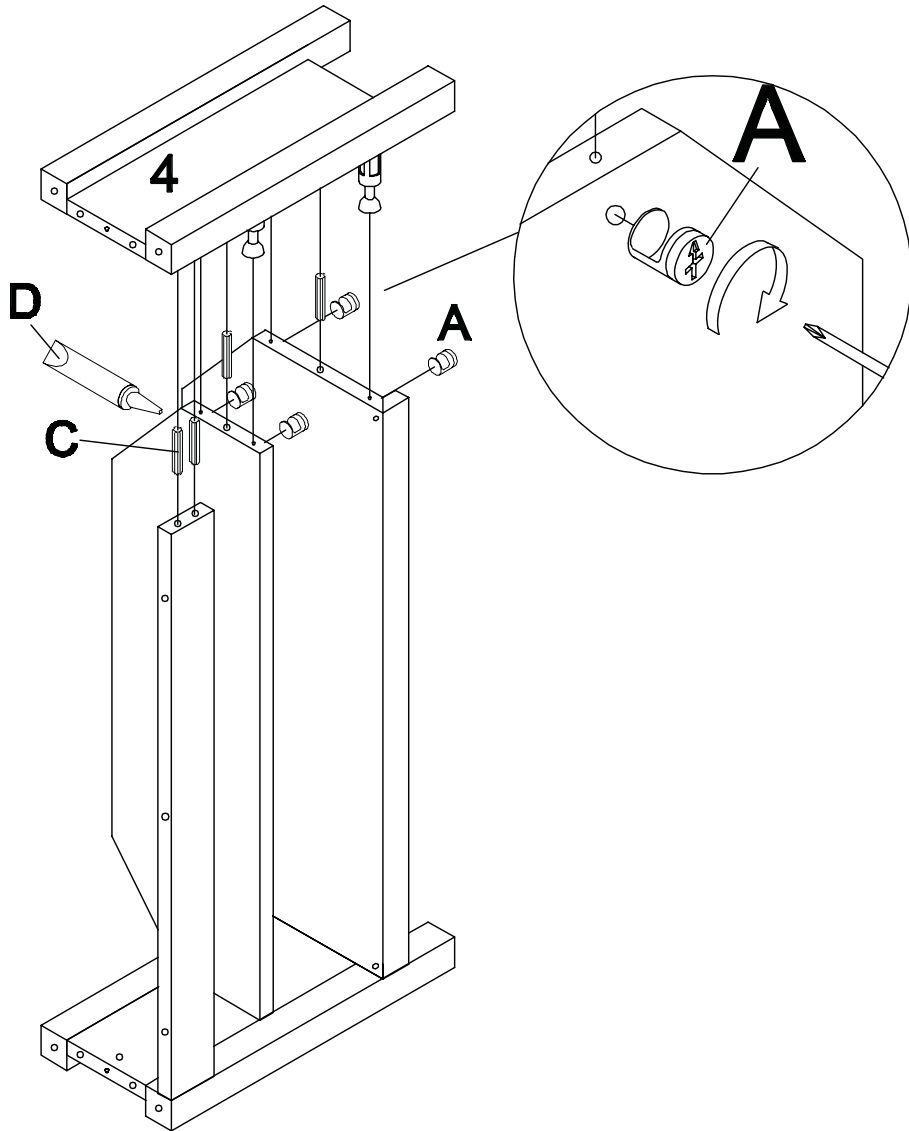
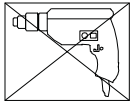
Insert dowels (C) into the left side panel (3). *(Remember to apply glue (D))*
Insert cam locks (A) into bottom shelf (2) and middle shelf (9).
Attach left side panel (3) to the two shelves.
Tighten cam locks (A) with a screwdriver as shown in the diagram.

Step 4



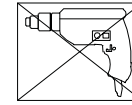
Insert dowels (C) into left side panel. *(Remember to apply glue (D))*
Attach support (10) to the left side panel as shown in the diagram.

Step 5

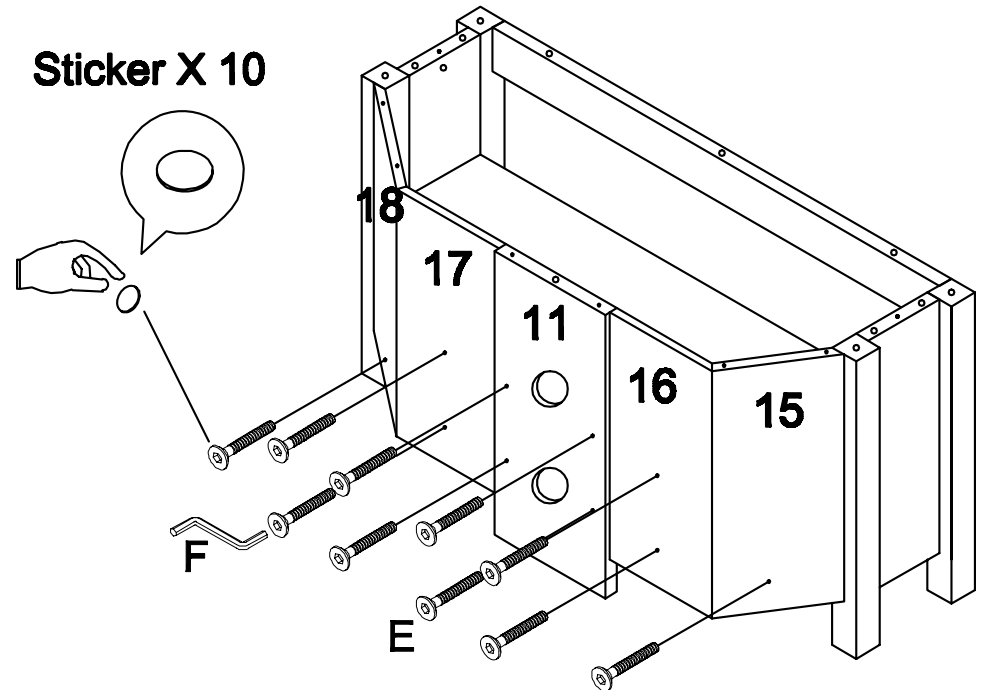


Insert dowels (C) into frame assembly (remember to apply glue (D)).
Insert cam locks (A) into frame assembly.
Attach right side panel (4) to the frame assembly.
Tighten cam locks (A) using a screwdriver as shown in the diagram.

Step 6

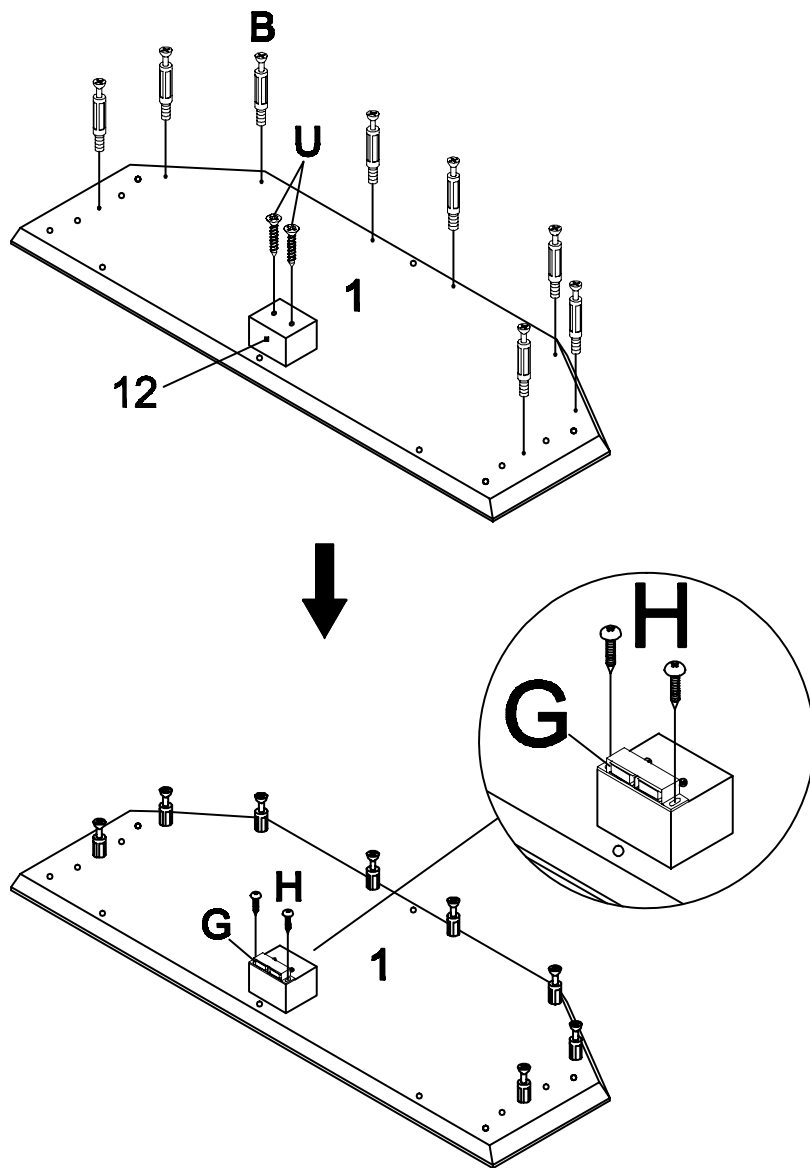


Sticker X 10



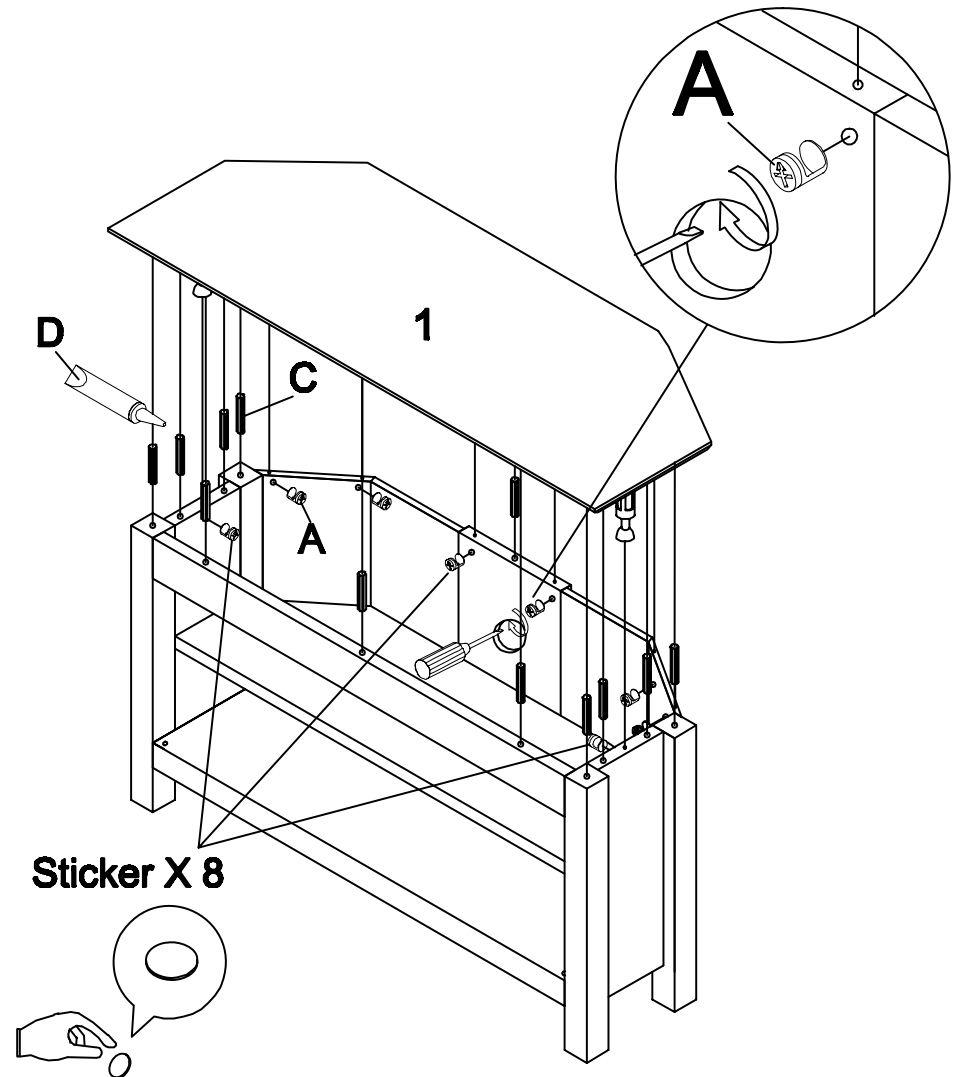
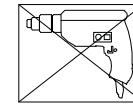
Set the frame assembly upright and attach back panels (11,15,16,17,18) to the frame using screws (E) as shown in the diagram. *Be sure to tighten firmly.*
Cover screws (E) using the provided stickers as shown in the diagram.

Step 7



Attach block (12) to the stand top (1) using screws (U). Screw cam bolts (B) into stand top (1), then attach door stop (G) using screws (H) as shown in the diagram. *Be sure to tighten firmly.*

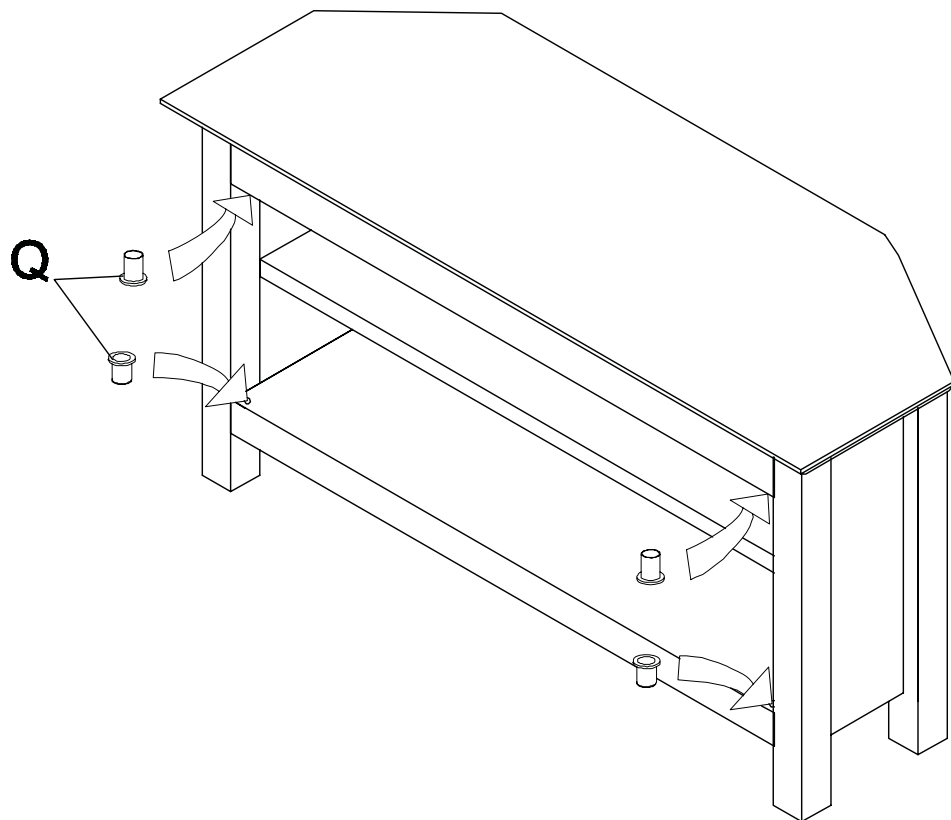
Step 8



Sticker X 8

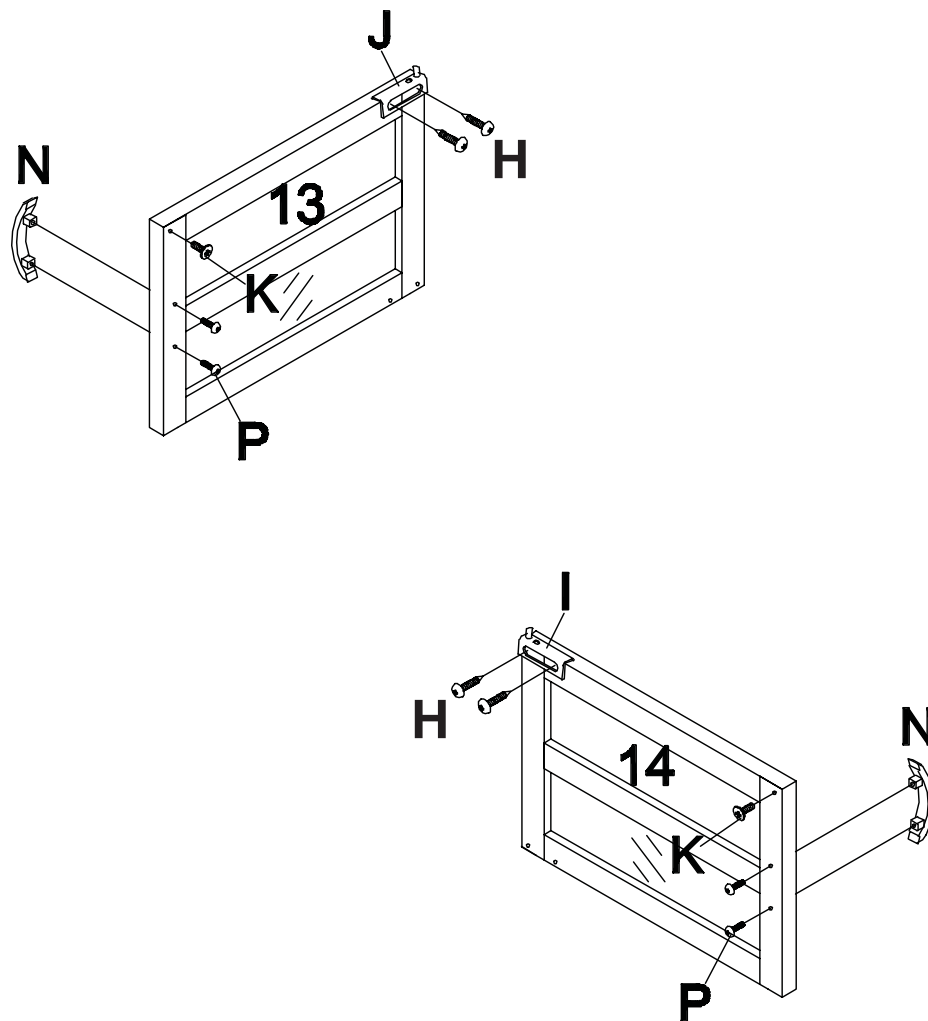
Insert dowels (C) into frame assembly (*remember to apply glue (D)*)
Insert cam locks (A) into frame assembly. Attach stand top (1) to the frame assembly. Tighten cam locks (A) using a screwdriver as shown in the diagram. Place provided stickers over cam locks (A).

Step 9



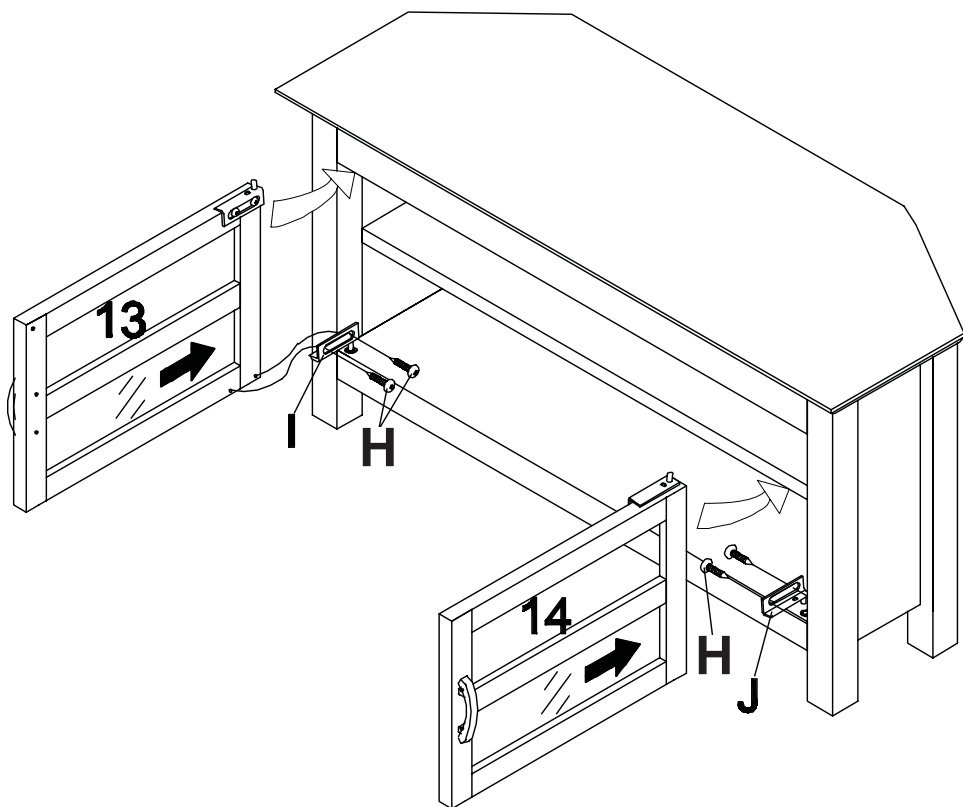
Insert the plastic pivots (Q) into the stand as shown in the diagram.

Step 10



Attach door handles (N) to the stand doors (13,14) using screws (P).
Attach screws (K) to the corners of each door as shown in the diagram.
Attach door hinge (J) to door (13) using screws (H) as shown in the diagram.
Attach door hinge (I) to door (14) using screws (H) as shown in the diagram.

Step 12



Insert lower door hinges (I, J) into the lower pivot points.
Attach doors (15, 16) to the stand at the upper pivot points.
Attach doors to lower door hinges (I, J) using screws (H) as shown
in the diagram.

Finished

