

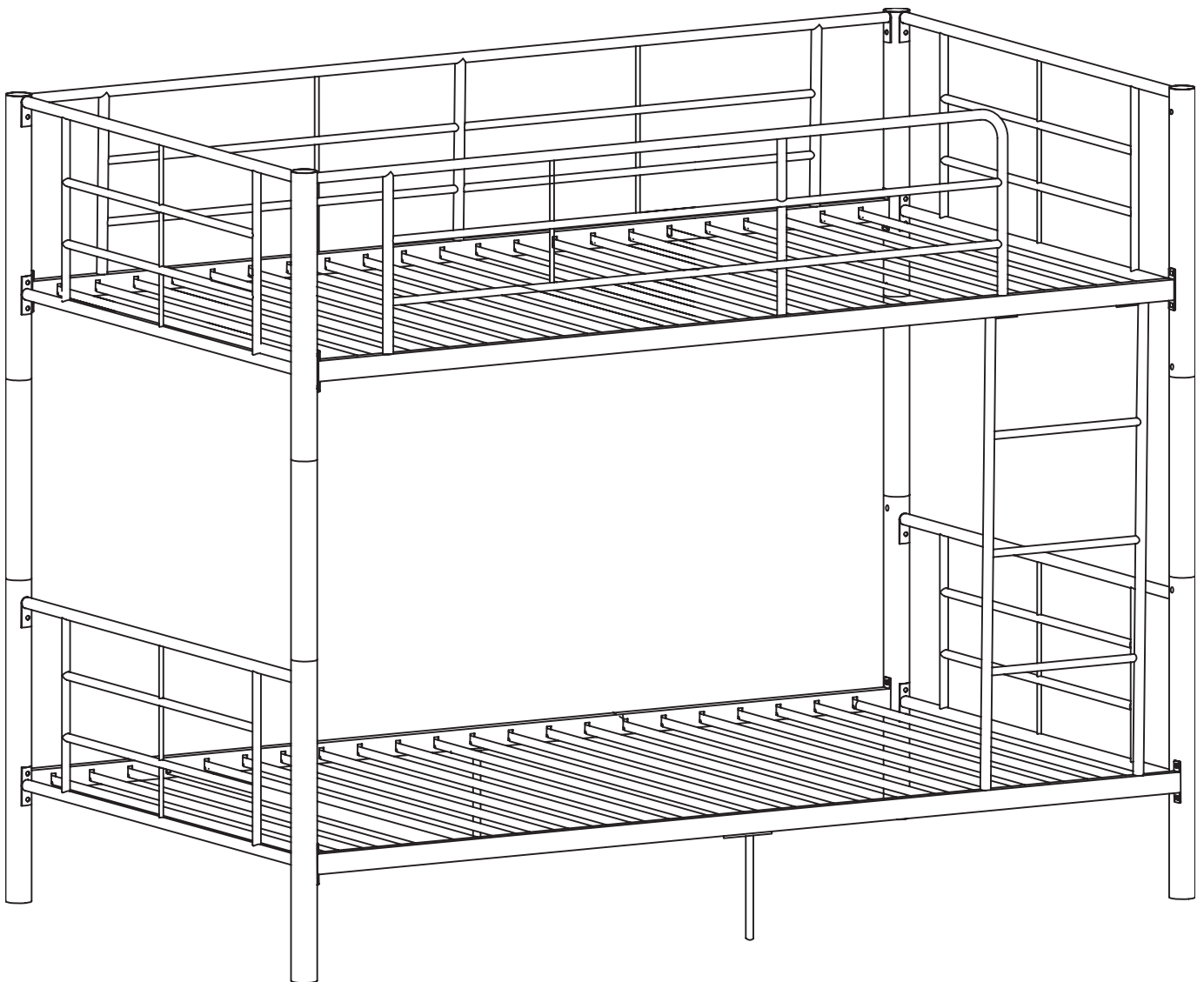


Walker
Edison

furniture company

Assembly Instructions

Twin/Twin Bunk Bed - BTOT**



For our most up-to-date instructions, to request missing, lost, or broken parts, or for any other Customer Service issues, please visit our website at www.walkeredison.com or call us at 877-207-5906.

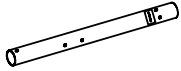
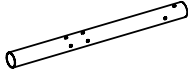
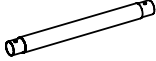


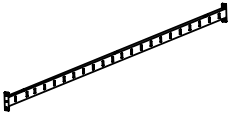
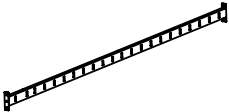


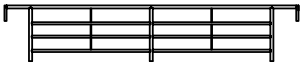

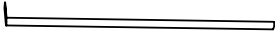



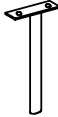

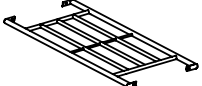




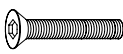


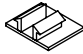
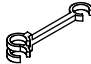



Instruction Manual

IMPORTANT INFORMATION MUST READ BEFORE ASSEMBLING PRODUCT

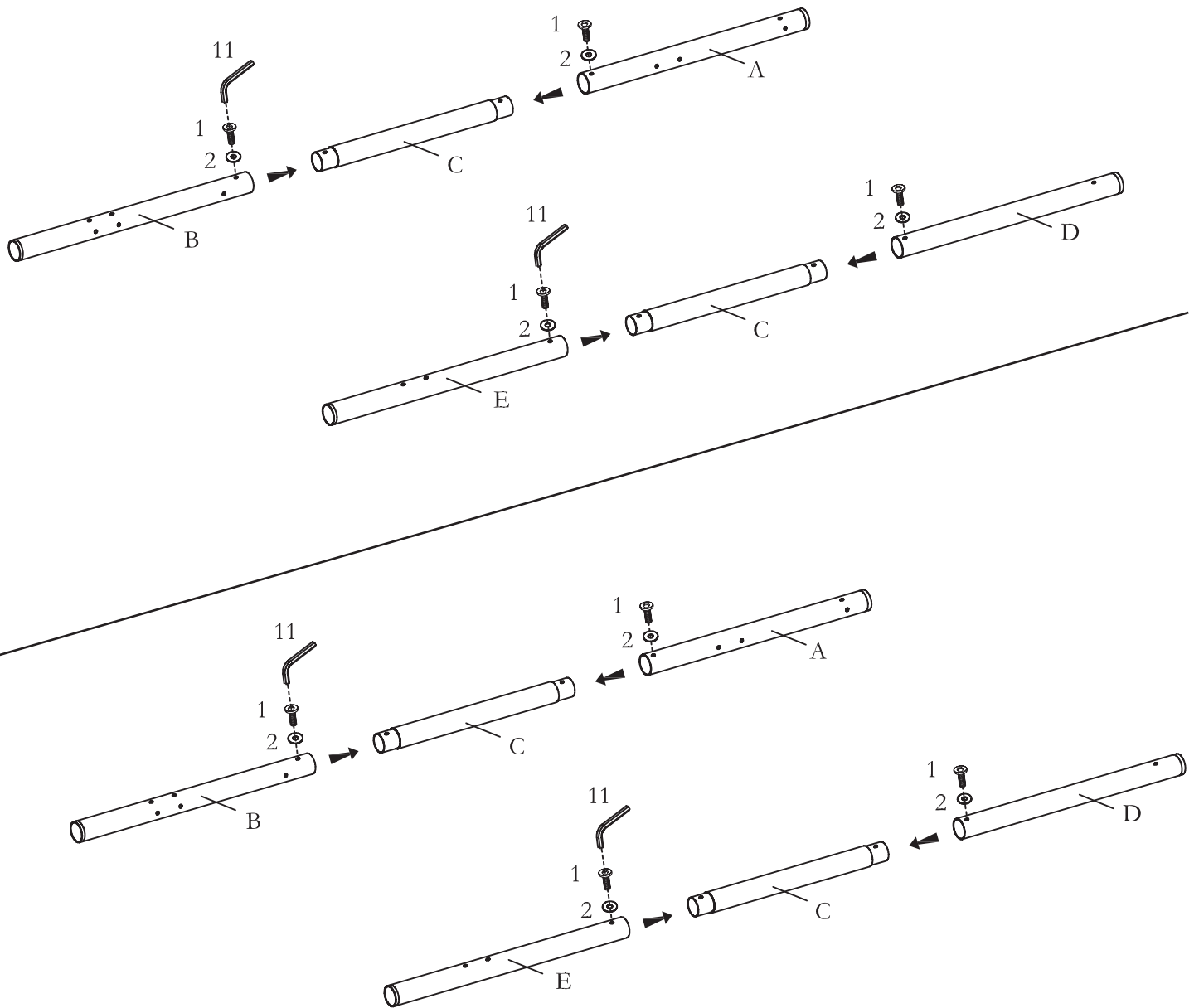
- Follow the information on the warnings appearing on the upper bunk end structure and on the carton. Do not remove warning label from bed.
- Use only a mattress which is 74-75" L x 37.5-38.5" W x 9" H on the upper bunk. A mattress which is 74-75" L x 37.5-38.5" W x 9" H is also recommended for the lower bunk.
- Replacement Parts—Replacement parts, including additional guardrails, may be obtained from any of Walker Edison Furniture's dealers or by contacting Walker Edison Furniture online at www.walkeredison.com.
- Follow the information on the warnings appearing on the upper bunk end structure and on the carton. DO NOT remove warning label from bed.
- Always use the recommended size mattress or mattress support, or both, to help prevent the likelihood of entrapment or falls.
- Surface of mattress must be at least 5 in. (127 mm) below the upper edge of guardrails. Mattress must not exceed a maximum thickness of 9 inches.
- DO NOT allow children under 6 years of age to use the upper bunk.
- Periodically check and ensure that the guardrail, ladder, and other components are in their proper position, free from damage, and that all connectors are tight.
- DO NOT allow horseplay on or under the bed and prohibit jumping on the bed.
- Always use the ladder for entering and leaving the upper bunk.
- DO NOT use substitute parts. Contact the manufacturer or dealer for replacement parts.
- Use of a night light may provide added safety precaution for a child using the upper bunk.
- Always use guardrails on both long sides of the upper bunk. If the bunk bed will be placed next to the wall, the guardrail that runs the full length of the bed should be placed against the wall to prevent entrapment between the bed and wall.
- The use of water or sleep flotation mattresses is prohibited.
- **STRANGULATION HAZARD** –Never attach or hang items to any part of the bunk bed that are not designed for use with the bed; for example, but not limited to, hooks, belts and jump ropes.
- Prohibit more than one person on upper bunk.
- Keep these instructions for future reference.

Parts List

| NO. | Description | QTY |
|-----|---|-------|
| A |  | 2 PCS |
| B |  | 2 PCS |
| C |  | 4 PCS |
| D |  | 2 PCS |
| E |  | 2 PCS |
| F |  | 1 PC |
| G |  | 1 PC |
| H |  | 1 PC |
| I |  | 1 PC |
| J |  | 1 PC |
| K |  | 1 PC |
| L |  | 2 PCS |

| NO. | Description | QTY |
|-----|--|--------|
| M |  | 3 PCS |
| N |  | 2 PCS |
| O |  | 44 PCS |
| P |  | 4 PCS |
| 1 |  1/4"*5/8" | 49 PCS |
| 2 |  Ø16mm | 48 PCS |
| 3 |  Ø18mm | 8 PCS |
| 4 |  5/16"*2-1/4" | 8 PCS |
| 5 |  1/4"*1-1/4" | 6 PCS |
| 6 |  | 6 PCS |
| 7 |  | 16 PCS |
| 8 |  | 88 PCS |
| 9 |  | 42 PCS |
| 10 |  | 12 PCS |
| 11 |  4.0mm | 1 PC |
| 12 |  5.0mm | 1 PC |

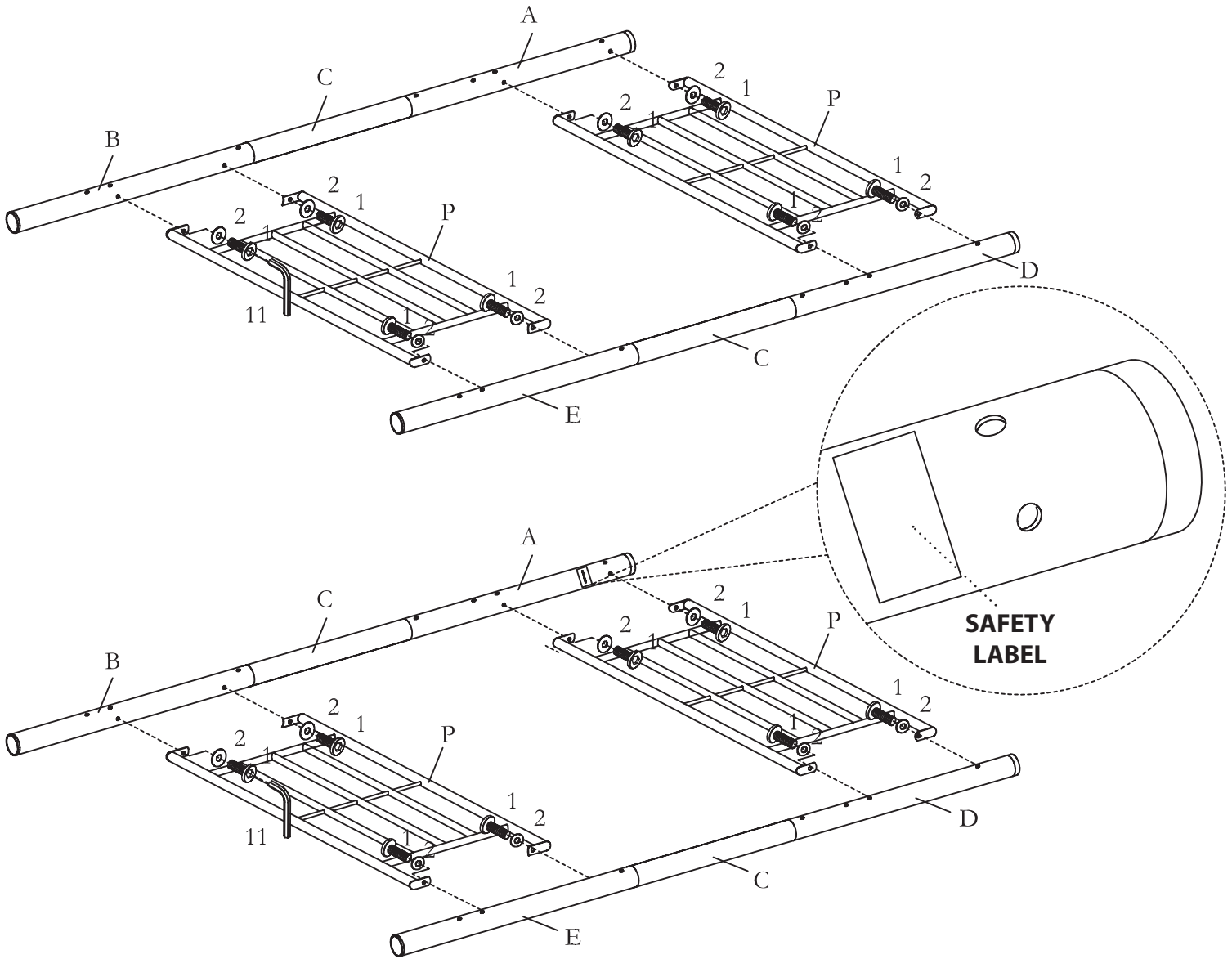
Step 1



Assemble the four support posts by combining parts B,C, and A; then parts E,C, and D as shown in the illustration. Secure these parts together using screws (1) and washers (2).

Be sure to tighten firmly using wrench (11).

Step 2

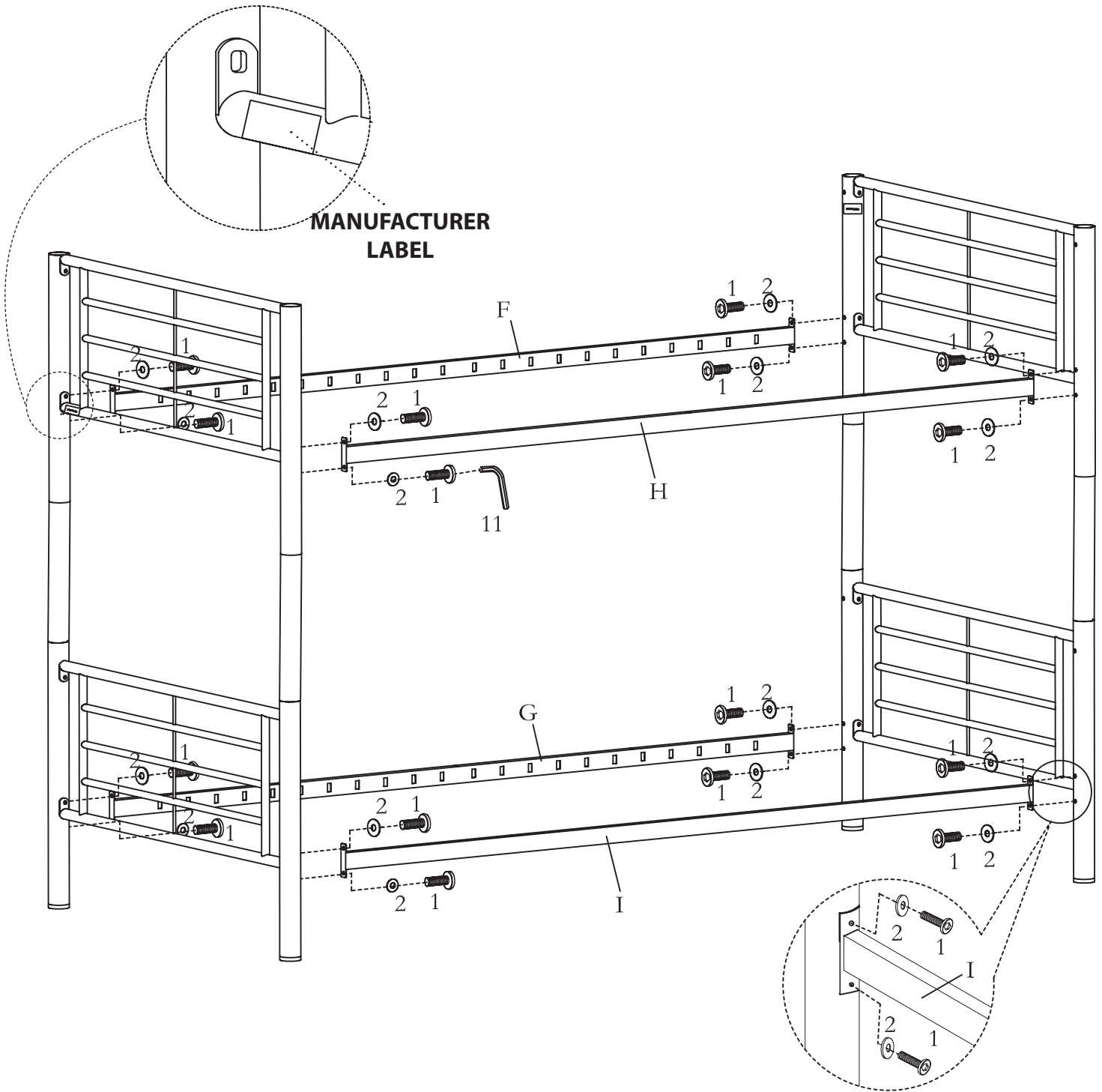


Place guardrails (P) between the assembled support posts as shown in the illustration.

Secure guardrails to the support posts using screws (1) and washers (2) as shown in the illustration.

Be sure to tighten firmly using wrench (11).

Step 3

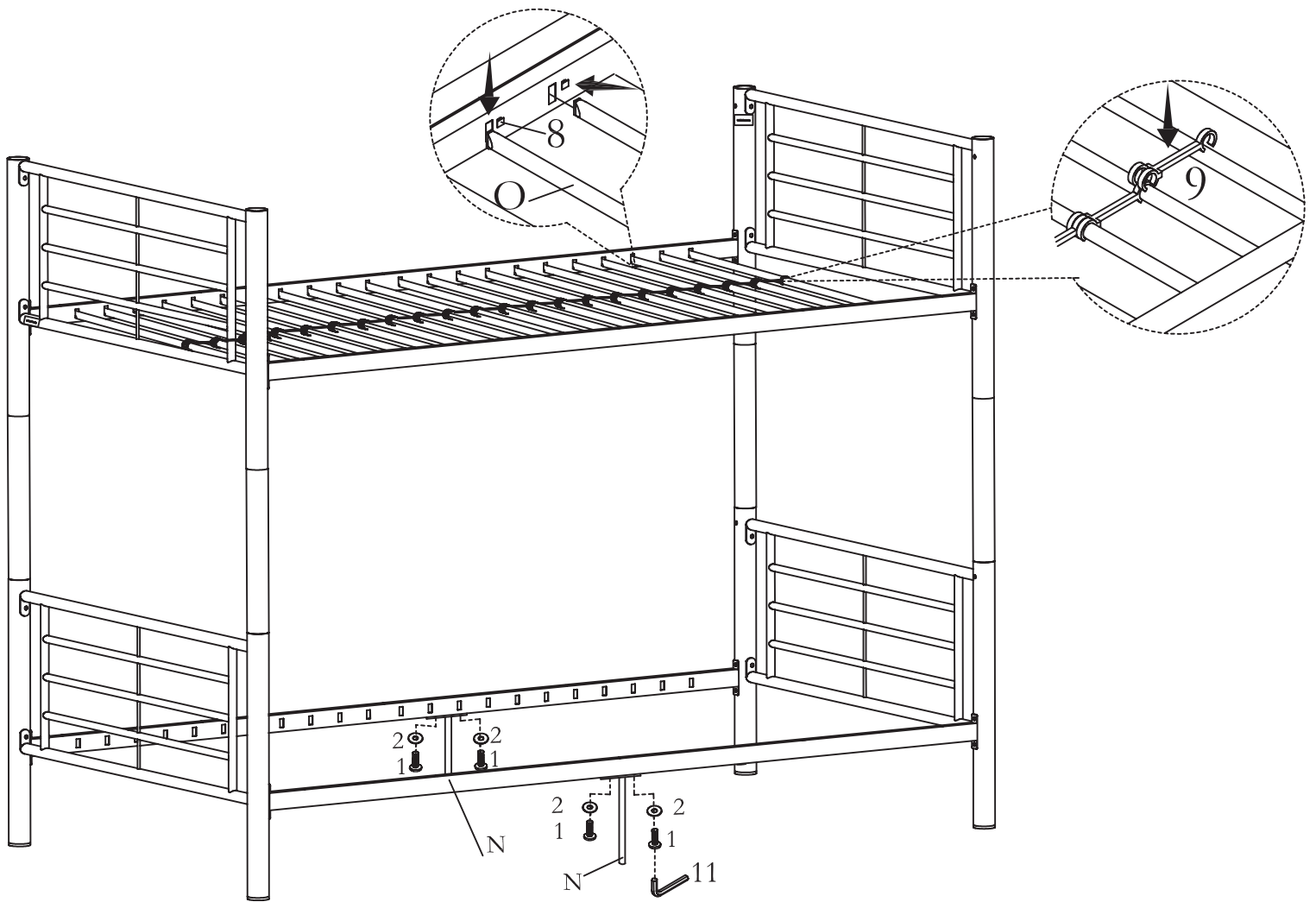


Join the end supports assembled in Step 2 together using lower cross bars (G and I) and upper cross bars (F and H) as shown in the illustration.

Attach the cross bars to the end supports using washers (1) and screws (2) as shown in the illustration. Ensure the slots on the cross bars are facing inward as shown in the illustration.

Be sure to tighten all screws firmly using wrench (11).

Step 4



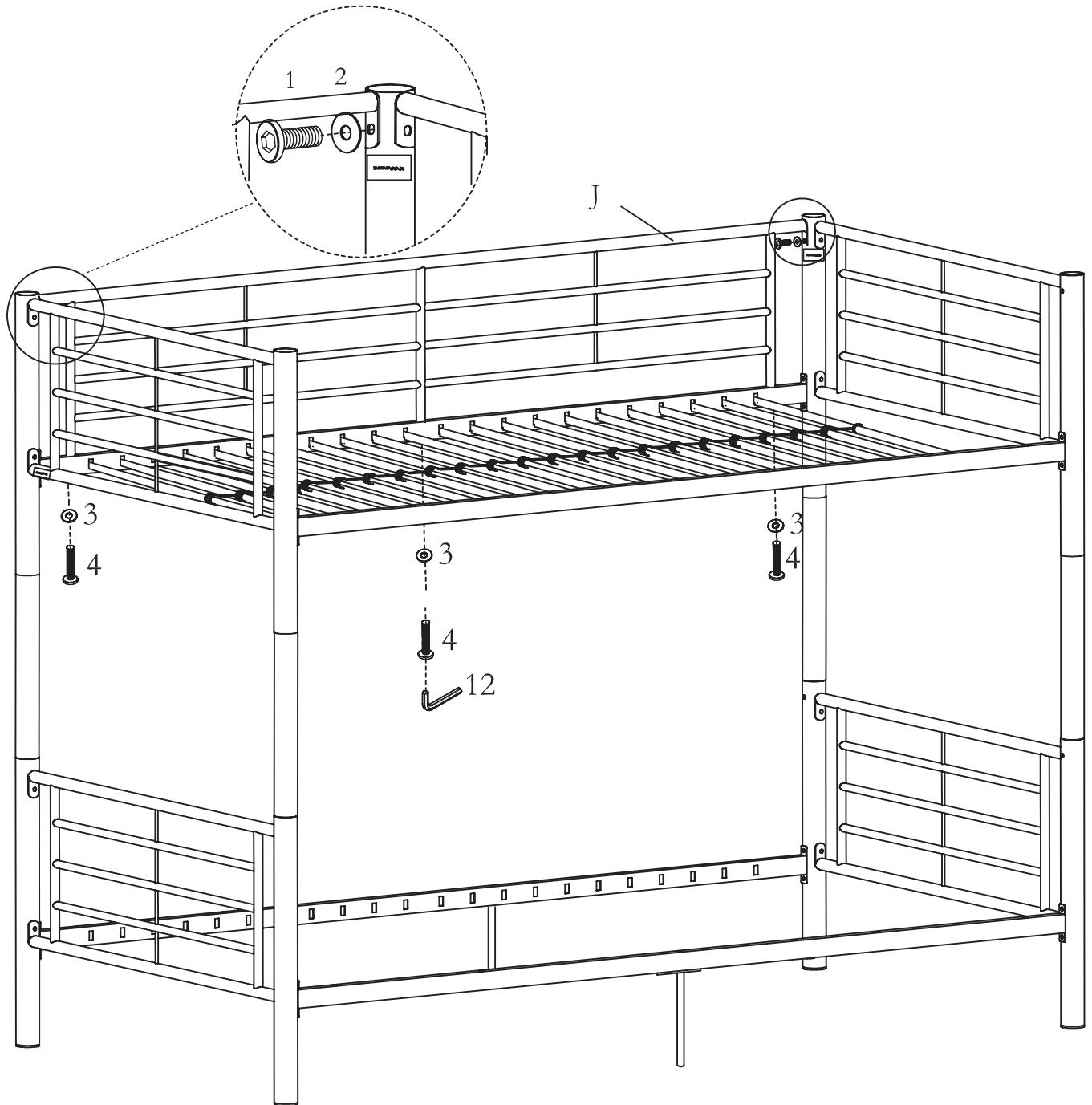
Attach legs (N) to the lower cross bars (G and I) using screws (1) and washers (2) as shown in the illustration.

Insert mattress support bars (O) into the slots on the cross bars as shown in the illustration.

Snap plastic tab locks (8) into each slot to lock the mattress support bars in place.

Snap plastic links (9) onto the middle of the mattress support bars as shown in the illustration.

Step 5

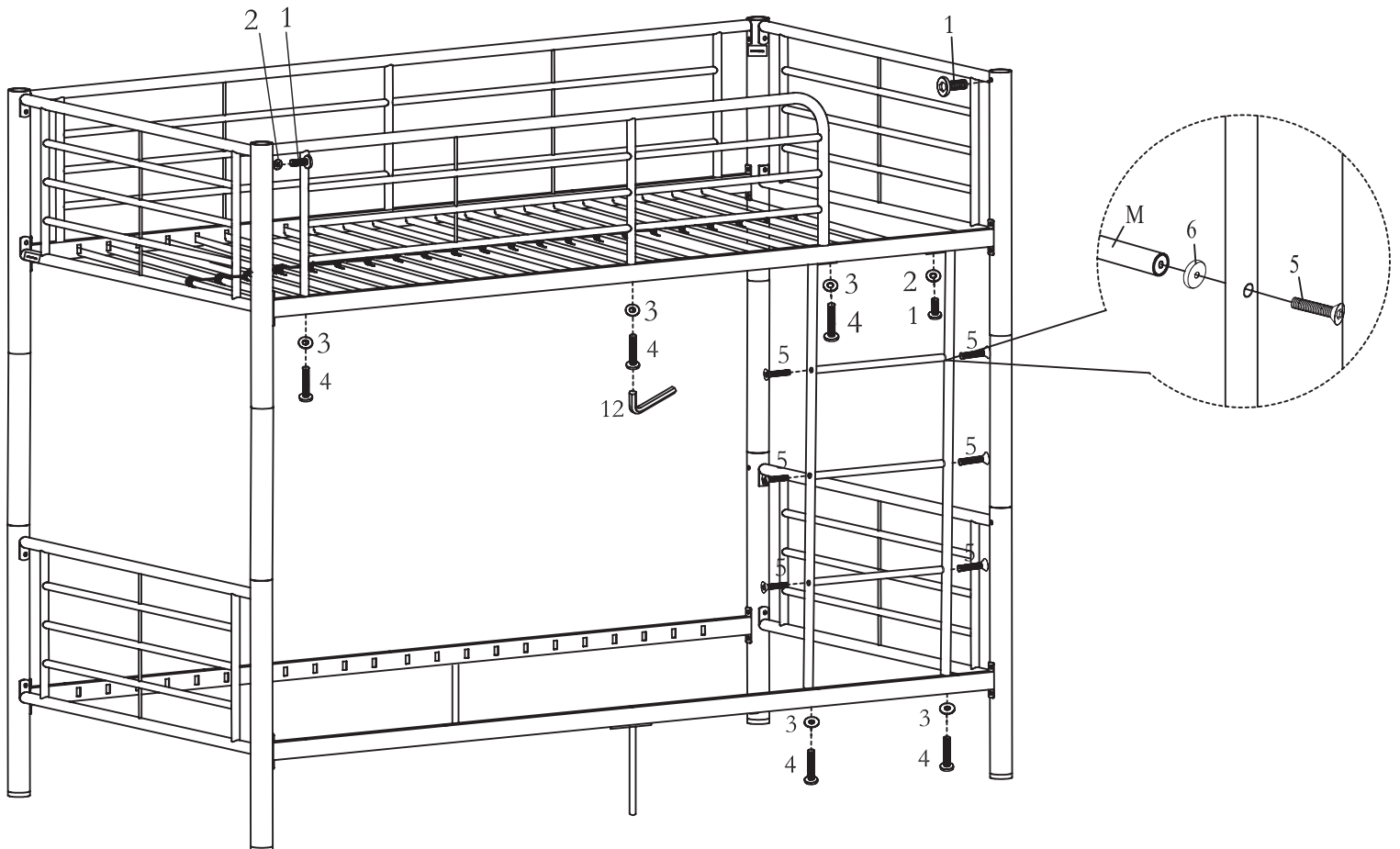


Attach back upper guardrail (J) to the back frame support beams using screws (1) and washers (2) as shown in the illustration.

Attach guardrail to cross bar (F) using screws (4) and washers (3), tighten with wrench (12).

Be sure to tighten all screws firmly.

Step 6



Attach ladder support posts (L) to the upper cross bar on the right side using screw (1) and washer (2) on the left side using screw (3) and washer (4) as shown in the illustration. Attach ladder support posts to the lower cross bar using screws (4) and washers (3) as shown in the illustration.

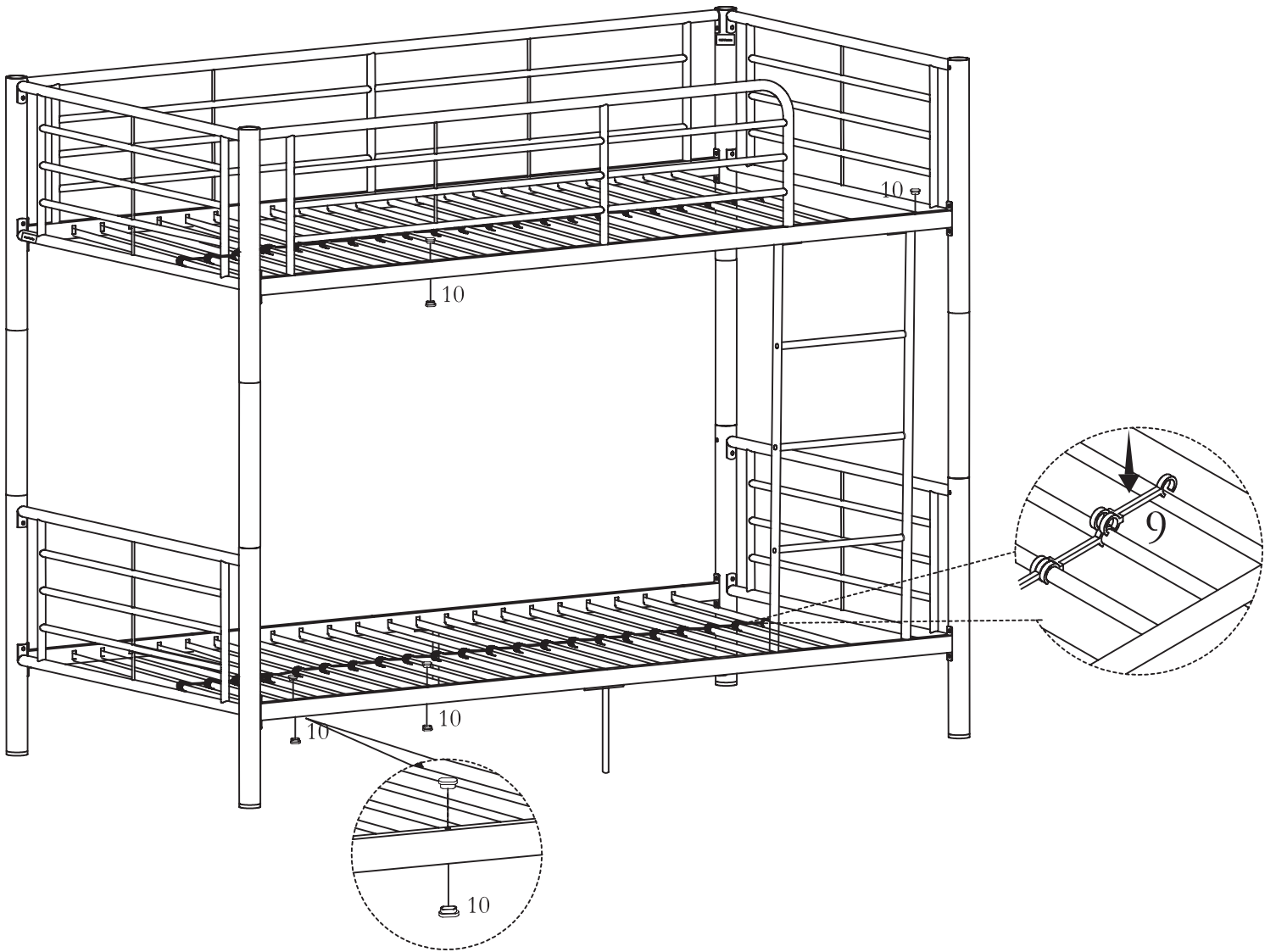
Attach the ladder steps (M) to the ladder support posts (L) using screws (5) and washers (6) as shown in the illustration.

Attach open guardrail (K) to the upper cross bar using screws (4) and washers (3), then attach upper guardrail (K) to the support post using screw (1) and washer (2) as shown in the illustration.

Be sure to tighten all screws firmly.

Note the ladder and open guardrail may be installed on either side of the bed depending on preference.

Step 7

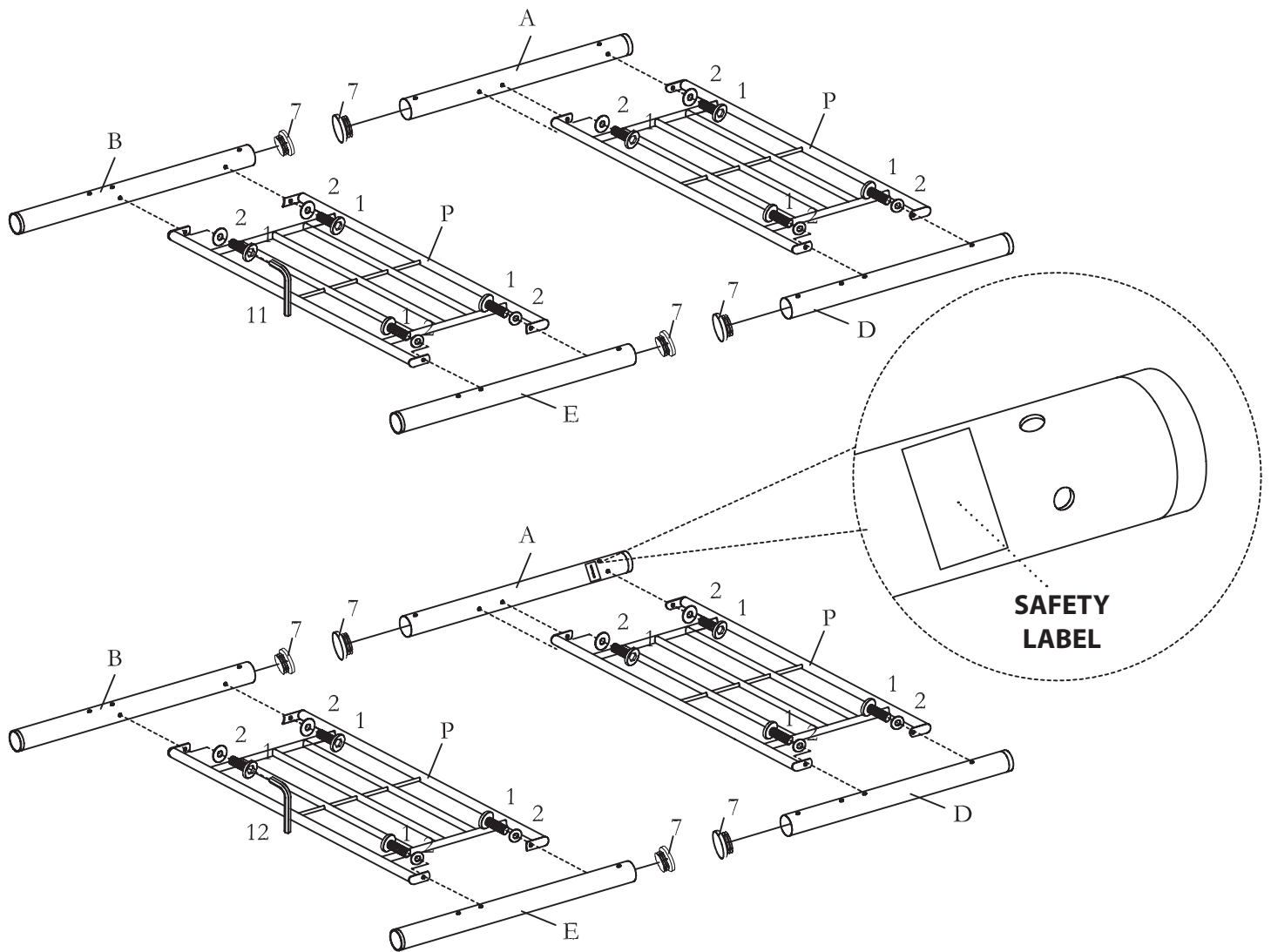


Place plastic plugs (10) into the holes in the front cross bars as shown in the illustration.

Snap plastic links (9) into the middle of the mattress support bars as shown in the illustration.

Optional Configuration - 2 Single Twin Beds

Step 1

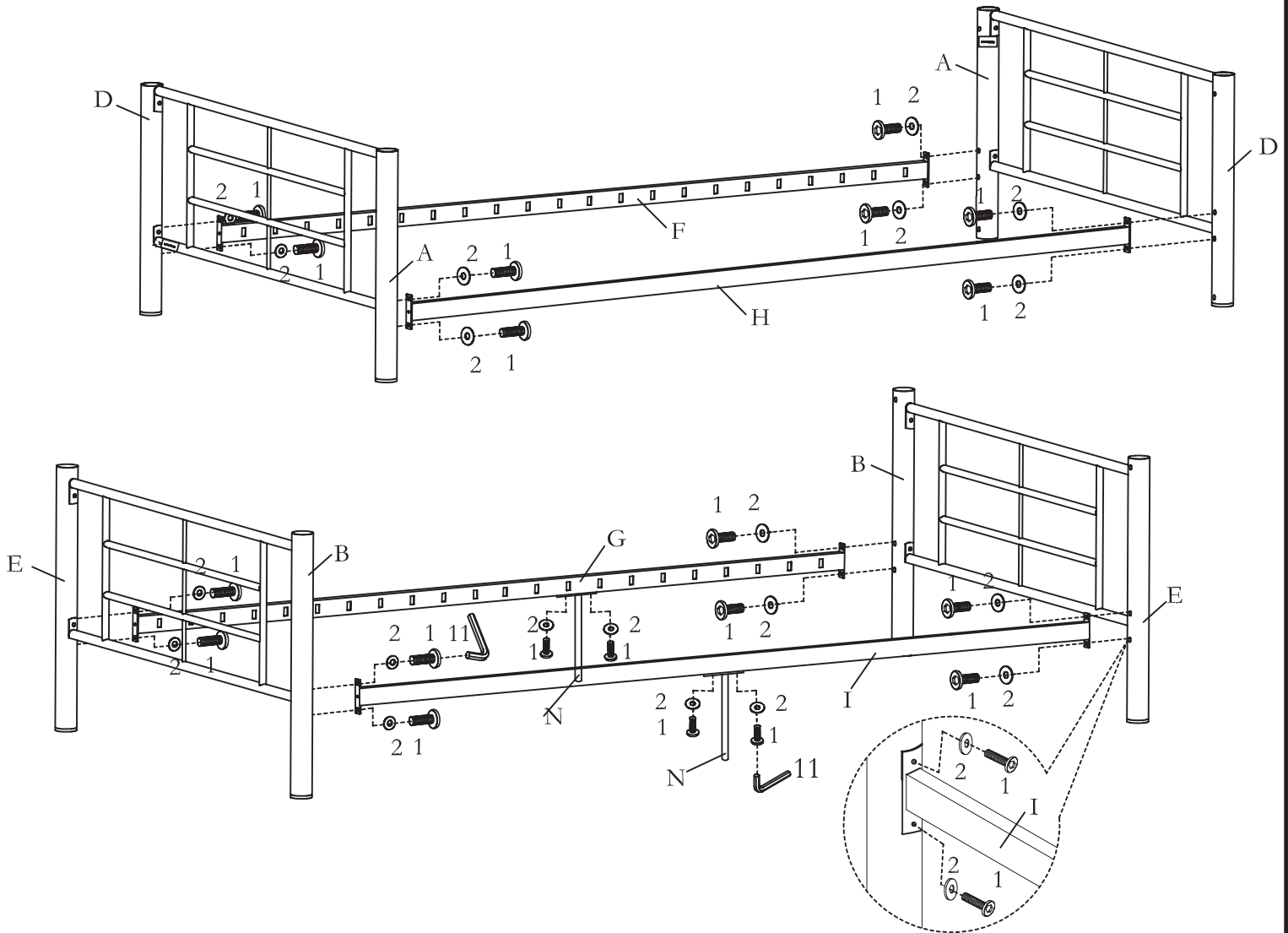


Attach end rails (P) to legs (A, D) and legs (B, E) using screws (1) and washers (2) as shown in the illustration.

Attach plastic end caps (7) as shown in the illustration.

Optional Configuration - 2 Single Twin Beds

Step 2



Join the support posts together using cross bars (F,H) and (G,I) as shown in the illustration.

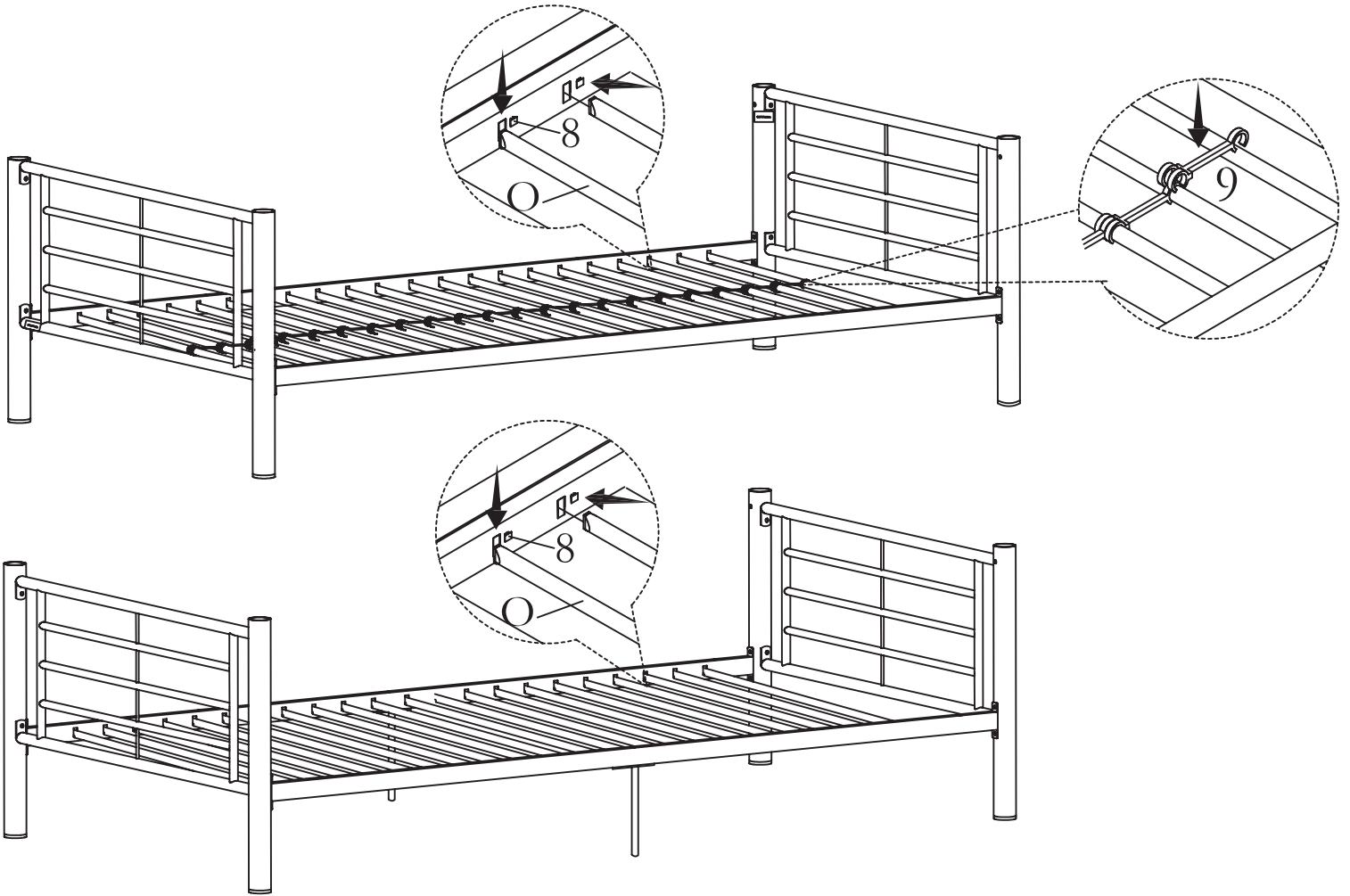
Attach the cross bars to the support posts using washers (2) and screws (1) as shown in the illustration.

Be sure to tighten firmly.

Attach legs (N) to one bed frame as shown in the illustration.

Optional Configuration - 2 Single Twin Beds

Step 3



Insert mattress support bars (O) into the slots on the cross bars as shown in the illustration.

Snap plastic tab locks (8) into each slot to lock the mattress support bars in place.