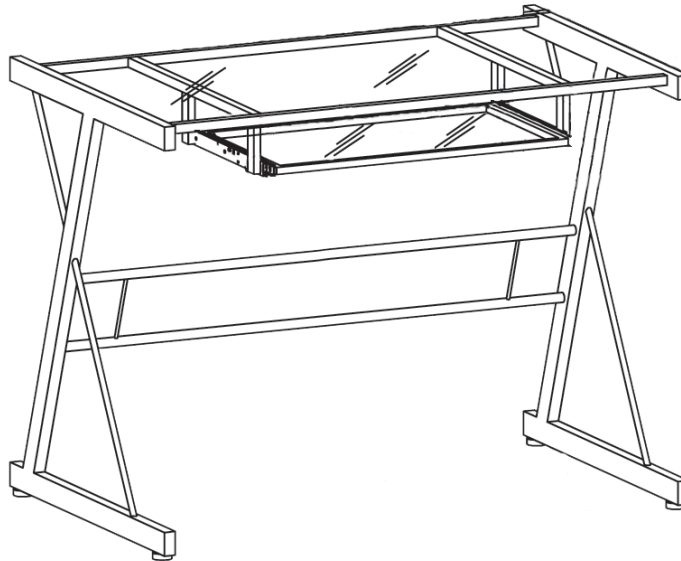
















Assembly Diagram

Model No. D31S29, D31S29B



Component List

A		wrench	1	H*		keyboard tray bracket	2
B		small screws	8	I*		keyboard tray arm	2
C		medium bolts	12	J		keyboard tray support frame	L = 1, R = 1
D		desk feet	4	K		keyboard tray glass	1
E		rubber suction cups	8	L		keyboard tray frame	1
F		desk leg	2	M		cross bar	1
G		desk glass	1	N		cross bar for frame keyboard side	2

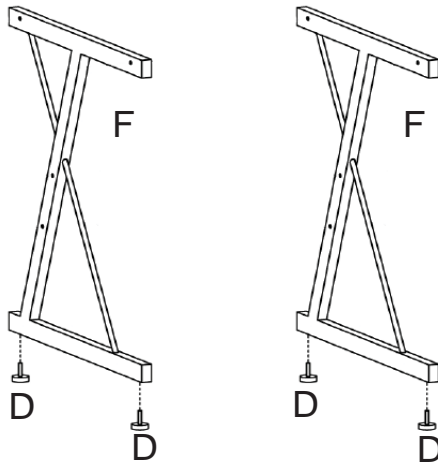
*Note: These parts come preassembled for shipping purposes and must be disassembled for assembly

Important

For our most up to date assembly instructions or to request missing, lost, or broken parts, or for any other customer service issue, please visit our website at www.walkeredison.com or call us toll free at 877-207-5906.

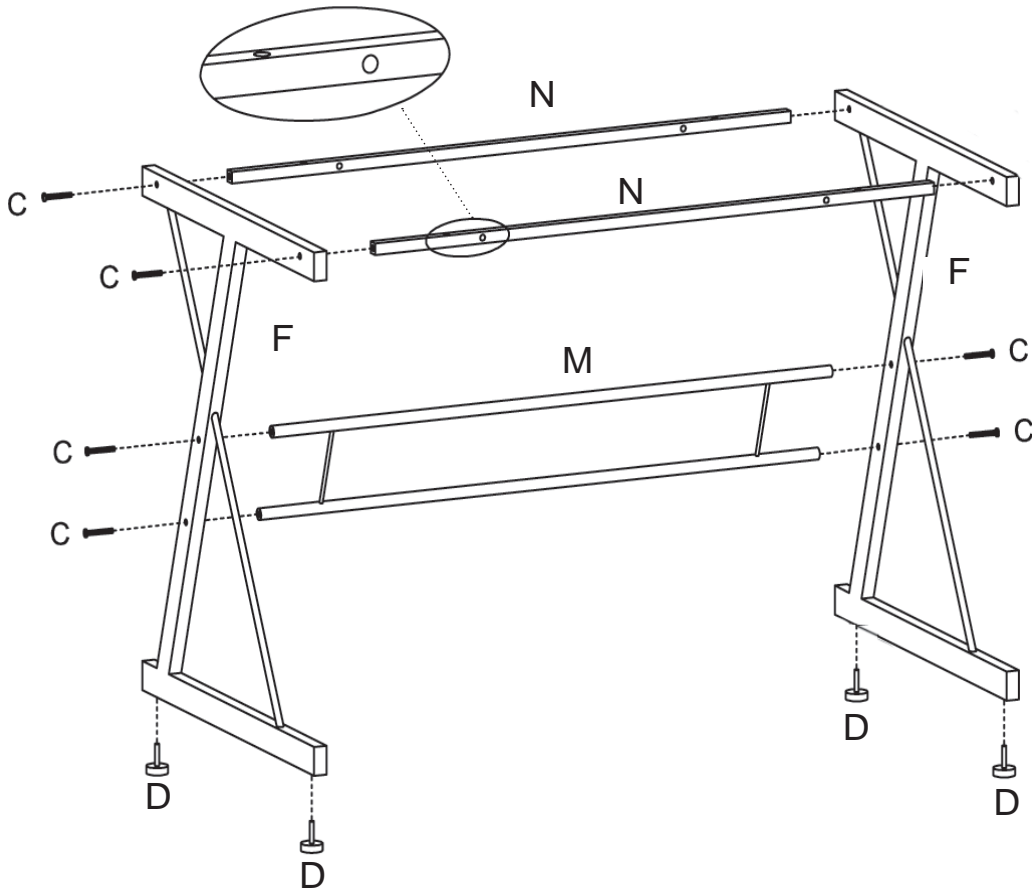
Assembly Diagram

Model No. D31S29, D31S29B



Step 1

Screw desk feet (G) into the bottom of desk legs (N).

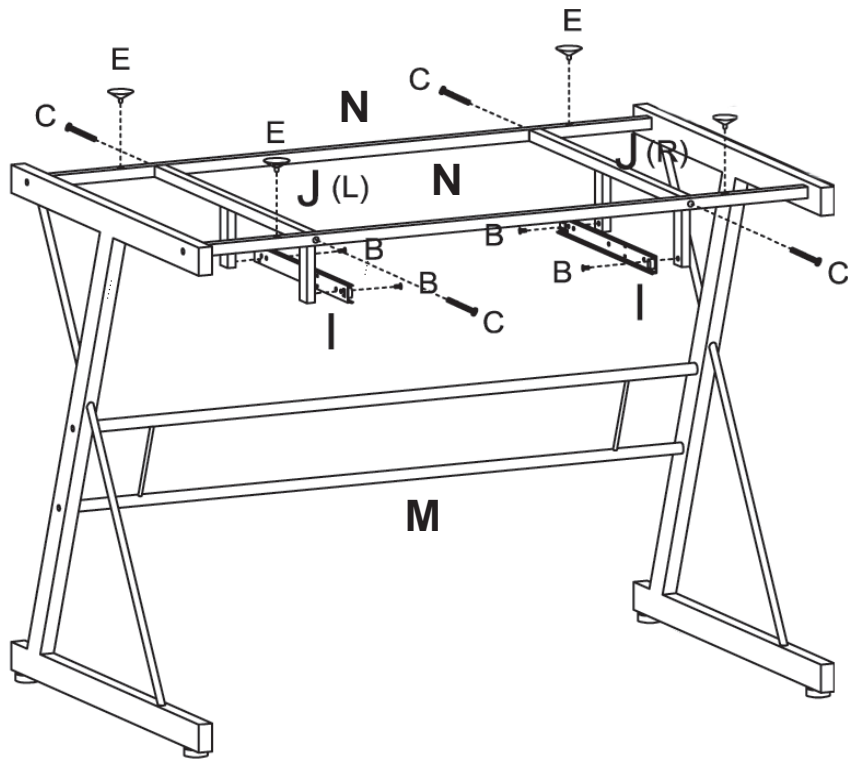


Step 2

Take legs (F) and screw in the medium bolts (C) into and through the legs (F) and into the upper cross bars (N). Now take the cross bar (M) and attach it to legs (F) using medium bolts (C).

Assembly Diagram

Model No. D31S29, D31S29B

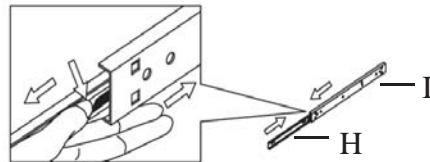


Step 4

Screw in keyboard support tray frame (J) between left upper cross bars (N) using medium bolts (C).

Step 5

Disassemble the keyboard tray brackets (H) and the keyboard tray arm (I) by pressing down the small lever and pulling up.



Step 6

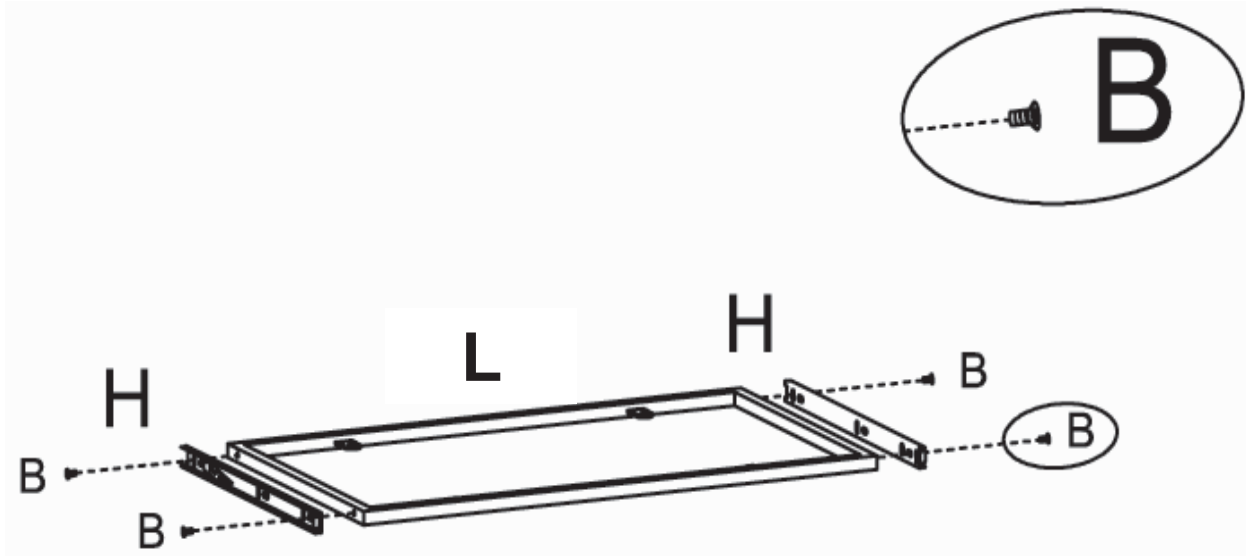
Attach keyboard tray arm (I) to keyboard support tray frame (J) using small screws (B).

Step 7

Secure rubber suction cups (E) to cross bars (P) by placing the small ends into the holes on the top of the desk frame.

Assembly Diagram

Model No. D31S29, D31S29B

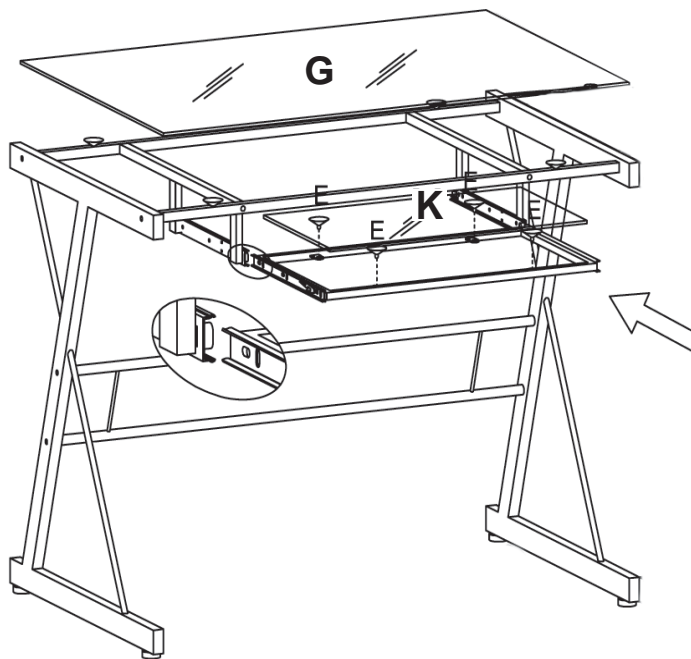
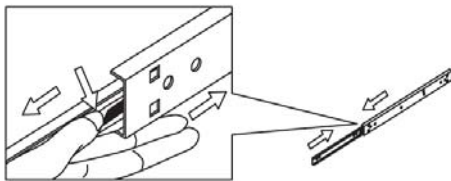


Step 8

To construct the keyboard tray you need to take the keyboard tray brackets (H) and secure them to the keyboard frame (L) using small screws (B) as shown in the illustration.

**Note: Ensure the open end of keyboard tray arm (I) faces front side of desk.*

Push down on small lever to allow keyboard bracket to slide along keyboard arm.



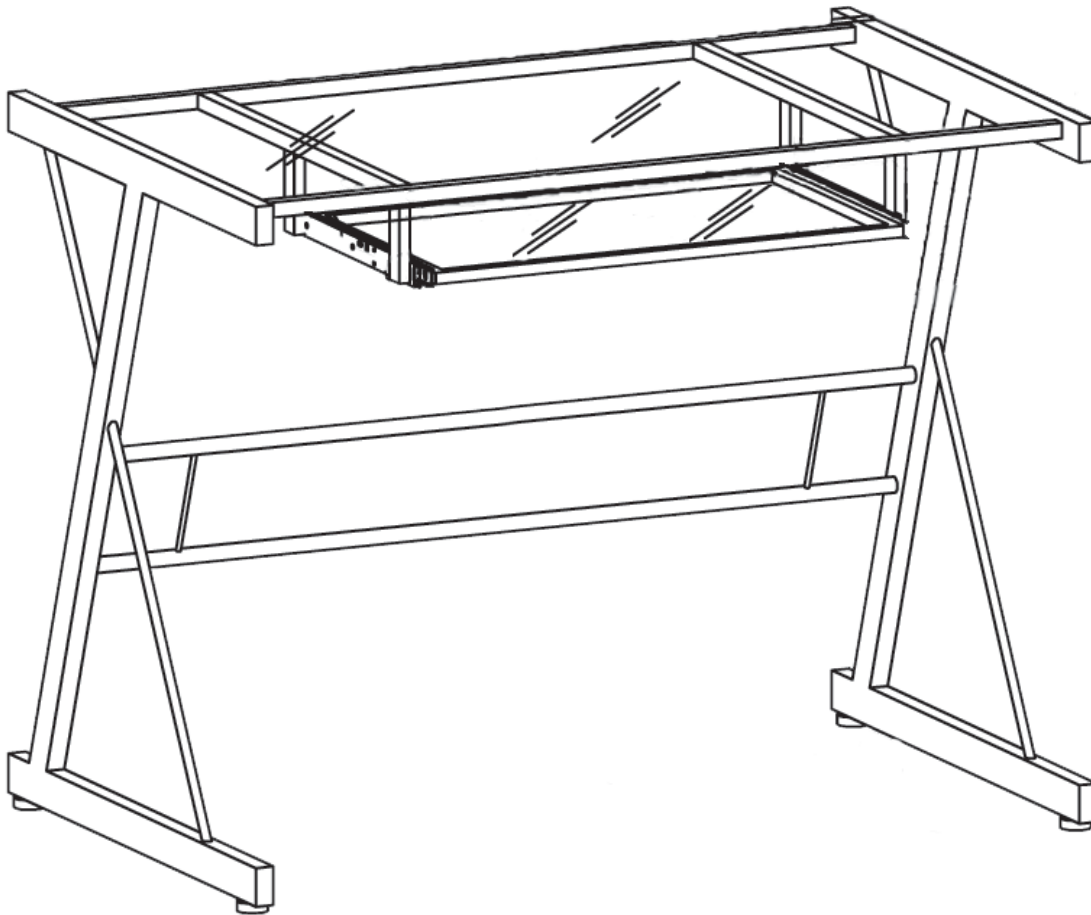
Step 9

Place rubber suction cups (E) on keyboard tray frame (Q) and place keyboard tray glass (K) on top of the rubber suction cups. Now take the keyboard tray and slide it into the keyboard tray arm (I). Find desk glass (G). Place the glass on top of the desk frame according to the above illustration.

Assembly Diagram

Model No. D31S29, D31S29B

Final Assembly



For our most up to date assembly instructions or to request missing, lost, or broken parts, or for any other customer service issue, please visit our website at www.walkerredison.com or call us toll free at 877-207-5906.