

Walker Edison furniture company

Assembly Instructions

Twin/Futon Bunk Bed - BTOF**



For our most up-to-date instructions, to request missing, lost, or broken parts, or for any other Customer Service issues, please visit our website at www.walkeredison.com or call us at 877-207-5906.








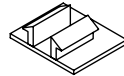
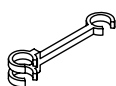



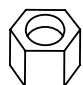
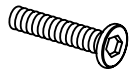


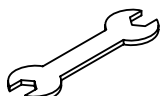
Instruction Manual

IMPORTANT INFORMATION MUST READ BEFORE ASSEMBLING PRODUCT







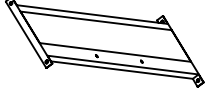


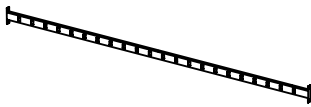
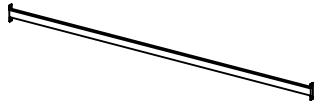
- Follow the information on the warnings appearing on the upper bunk end structure and on the carton. Do not remove warning label from bed.
- Use only a mattress which is 74-75" L x 37.5-38.5" W x 9" H on the upper bunk. A full sized futon which is 74-75" L x 54" W is recommended for the lower bunk.
- Replacement Parts—Replacement parts, including additional guardrails, may be obtained from any of Walker Edison Furniture's dealers or by contacting Walker Edison Furniture online at www.walkeredison.com.
- Follow the information on the warnings appearing on the upper bunk end structure and on the carton. DO NOT remove warning label from bed.
- Always use the recommended size mattress or mattress support, or both, to help prevent the likelihood of entrapment or falls.
- Surface of mattress must be at least 5 in. (127 mm) below the upper edge of guardrails. Mattress must not exceed a maximum thickness of 9 inches.
- DO NOT allow children under 6 years of age to use the upper bunk.
- Periodically check and ensure that the guardrail, ladder, and other components are in their proper position, free from damage, and that all connectors are tight.
- DO NOT allow horseplay on or under the bed and prohibit jumping on the bed.
- Always use the ladder for entering and leaving the upper bunk.
- DO NOT use substitute parts. Contact the manufacturer or dealer for replacement parts.
- Use of a night light may provide added safety precaution for a child using the upper bunk.
- Always use guardrails on both long sides of the upper bunk. If the bunk bed will be placed next to the wall, the guardrail that runs the full length of the bed should be placed against the wall to prevent entrapment between the bed and wall.
- The use of water or sleep flotation mattresses is prohibited.
- **STRANGULATION HAZARD** –Never attach or hang items to any part of the bunk bed that are not designed for use with the bed; for example, but not limited to, hooks, belts and jump ropes.
- Prohibit more than one person on upper bunk.
- Keep these instructions for future reference.

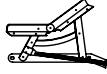

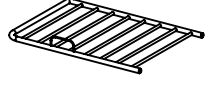
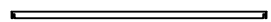
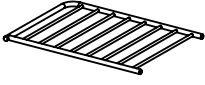
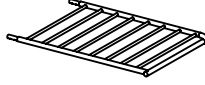
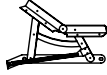
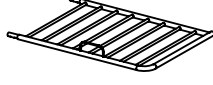

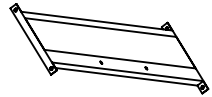
Hardware List

NO.	Description	QTY
1	 1/4"*5/8"	50 PCS
2	 Ø18	34 PCS
3	 5/16"*2-1/4"	10 PCS
4	 1/4"*1"	6 PCS
5	 1/4"*1-1/4"	8 PCS
6		4 PCS
7	 Ø16	50 PCS
8		44 PCS
9		21 PCS
10	 5/16"*1-1/4"	4 PCS

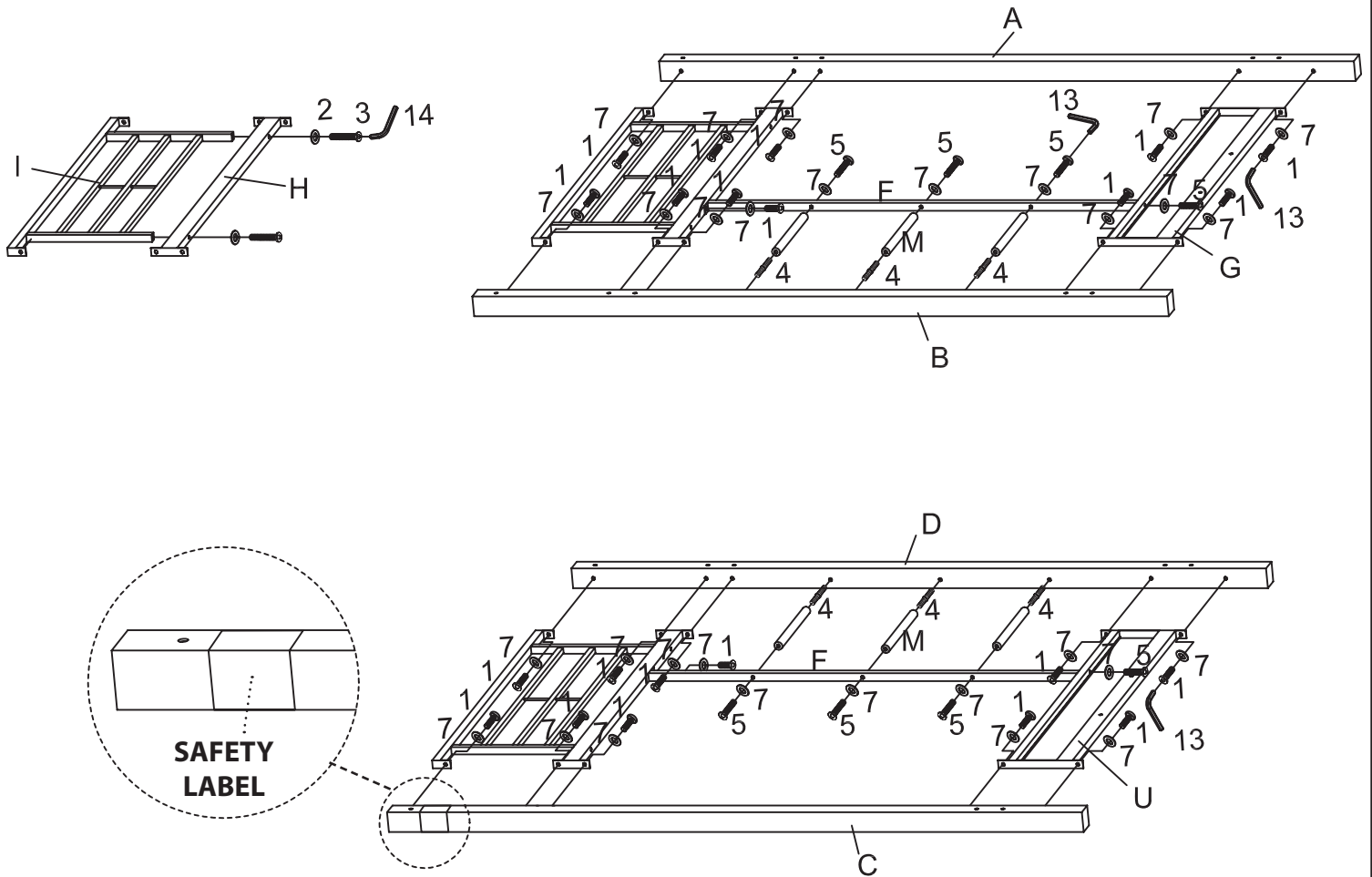
NO.	Description	QTY
11	 5/16"	12 PCS
12	 5/16"*1-3/4"	8 PCS
13	 4.0	1 PC
14	 5.0	1 PC
15	 5/16"	1 PC

Parts List

NO.	Description	QTY
A		1 PC
B		1 PC
C		1 PC
D		1 PC
E		2 PCS
F		2 PCS
G		1 PC
H		2 PCS
I		2 PCS
J		2 PCS
K		2 PCS

NO.	Description	QTY
L		1 PC
M		6 PCS
N		1 PC
O		22 PCS
P		1 PC
Q		1 PC
R		1 PC
S		1 PC
T		2 PCS
U		1 PC

Step 1



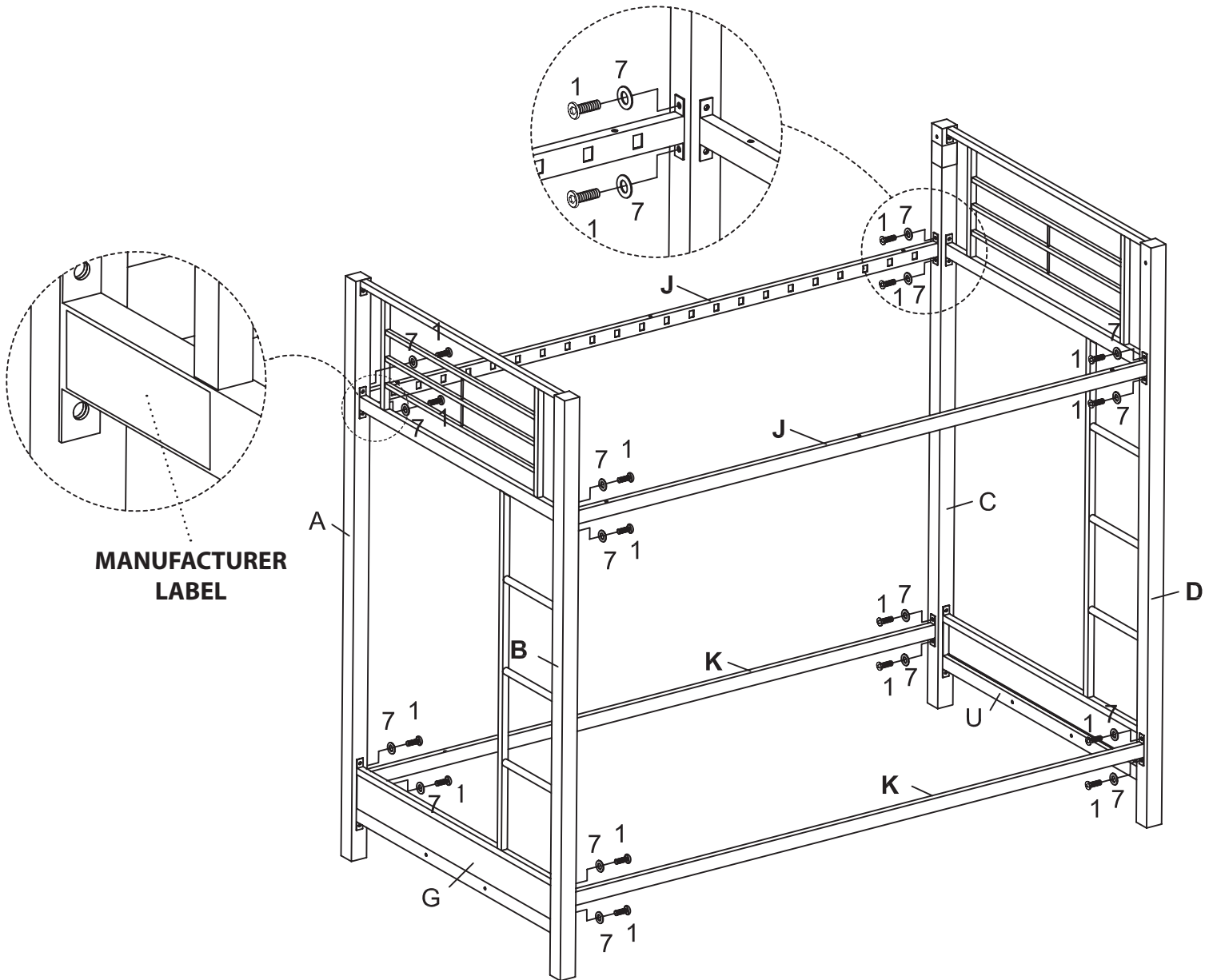
Combine guardrails (I) and cross bars (H) using screws (3) and washers (2). Be sure to tighten firmly with wrench (14).

Place guardrail assemblies and lower cross bars (U, G) between the support beams (A, B) (C, D). Secure these parts together using washers (7) and screws (1) as shown in the illustration. Be sure to tighten firmly.

Attach ladder steps (M) to straight support beams using screws (4). Attach ladder support bars (F) to ladder steps (M) using washers (7) and screws (5) as shown in the illustration. Be sure to tighten firmly.

Attach ladder support bar (F) to lower cross bars (U, G) using washer (7) and screw (5), then attach it to guardrail assemblies using screw (6) and washer (7) as shown in the illustration. Be sure to tighten firmly.

Step 2

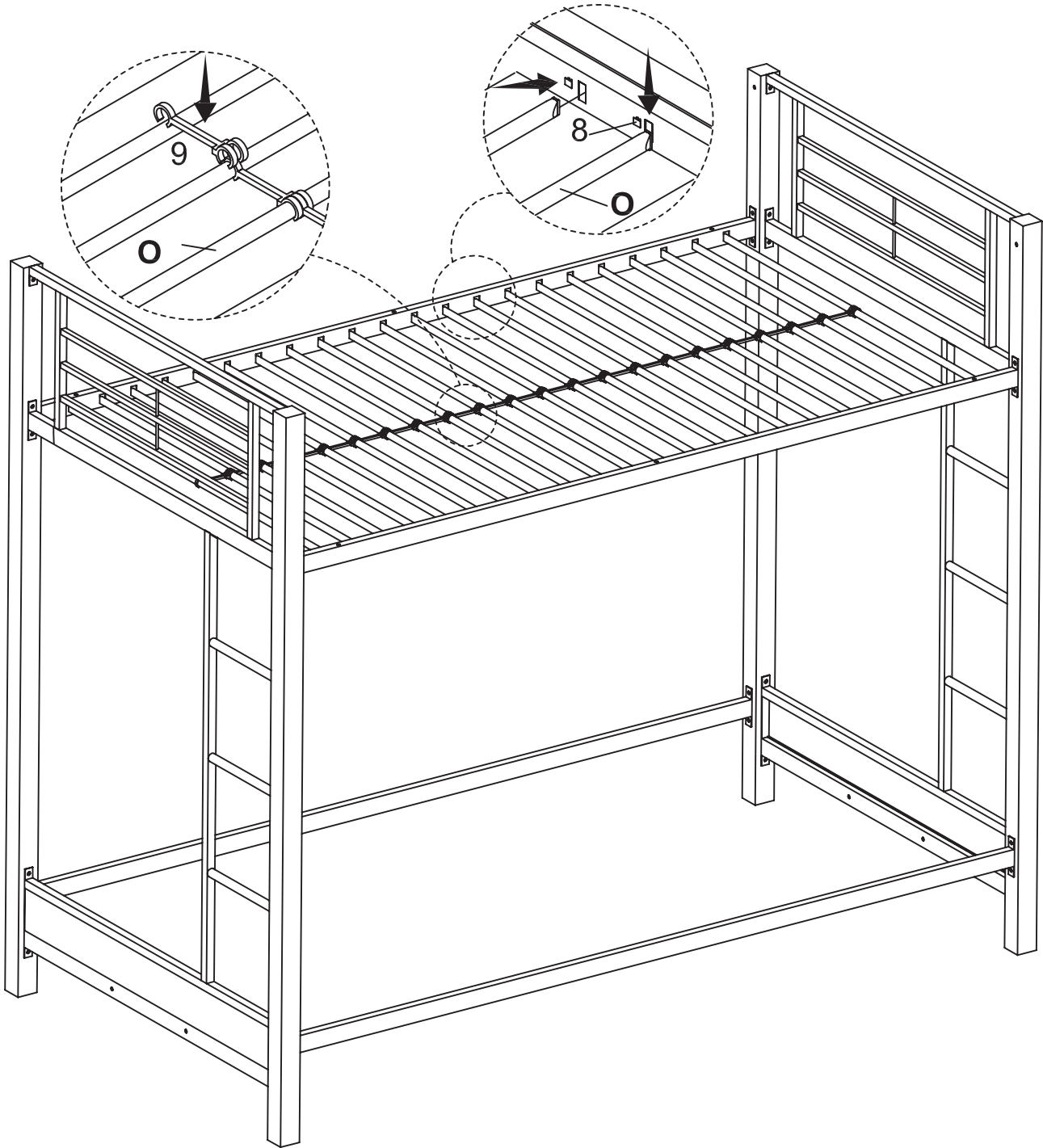


Join the end supports assembled in step 1 together using lower cross bars (K) and upper cross bars (J) as shown in the illustration.

Attach the cross bars to the end supports using washers (7) and screws (1) as shown in the illustration. Ensure the slots on the upper cross bars are facing inward as shown in the illustration.

Be sure to tighten all screws firmly.

Step 3

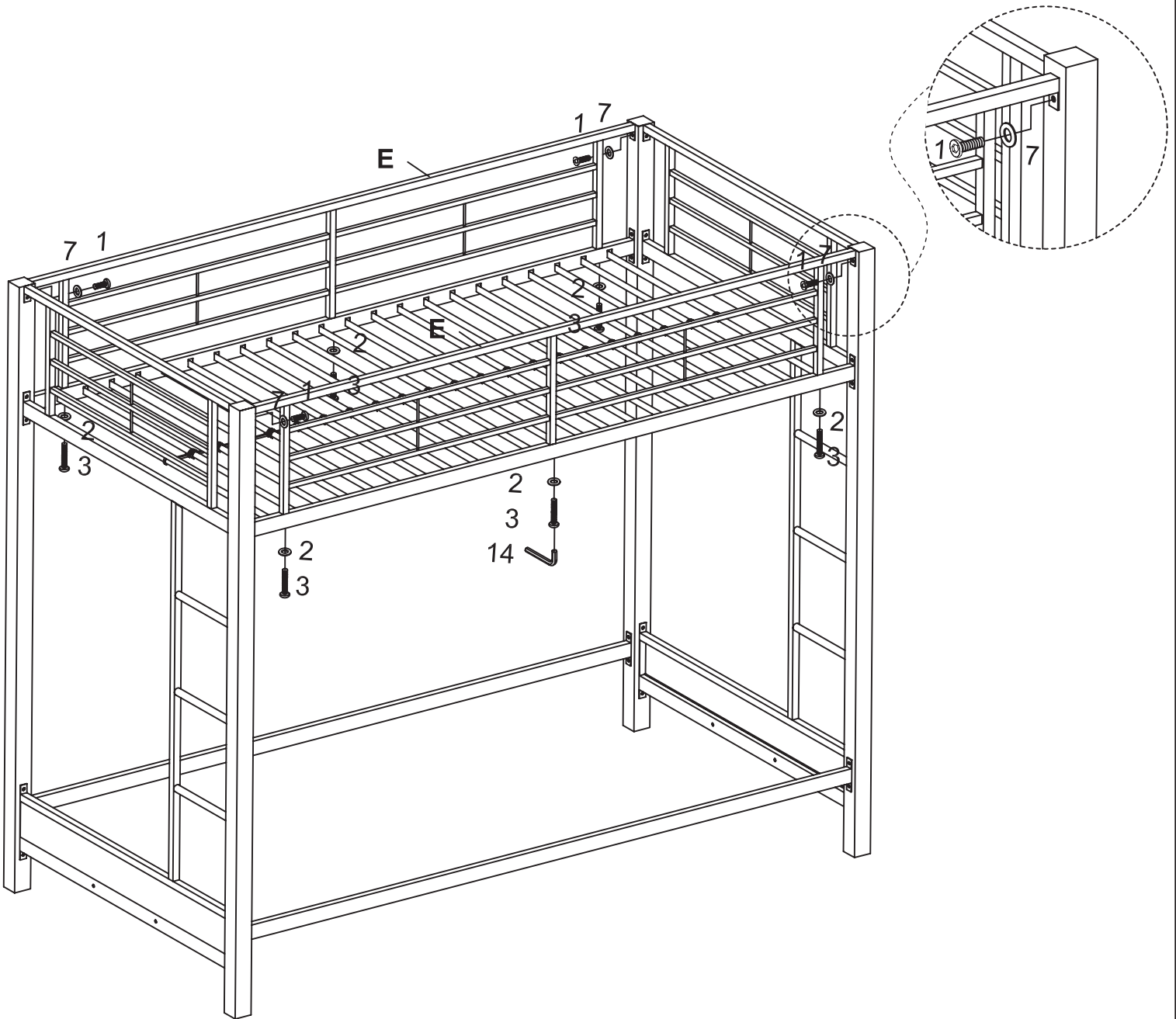


Insert upper mattress support bars (O) into the slots on cross bars (J) as shown in the illustration.

Snap plastic tab locks (8) into each slot to lock the mattress support bars in place.

Snap plastic links (9) onto the middle of the mattress support beams as shown in the illustration.

Step 4

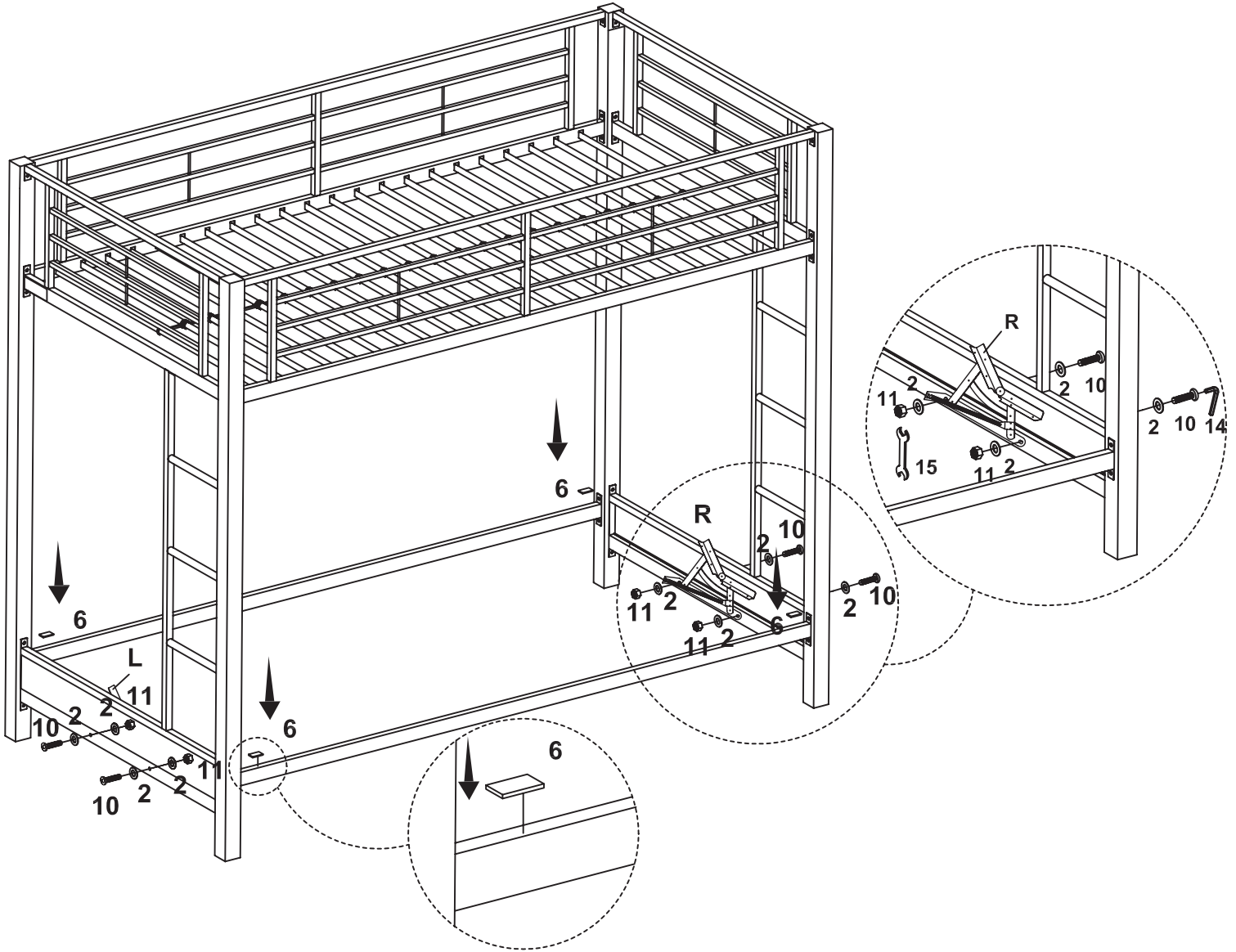


Attach upper guardrails (E) to frame support beams using screws (1) and washers (7) as shown in the illustration.

Attach upper guardrails (E) to cross bars (J) using screws (3) and washers (2) as shown in the illustration. Tighten screws using wrench (14).

Be sure to tighten all screws firmly..

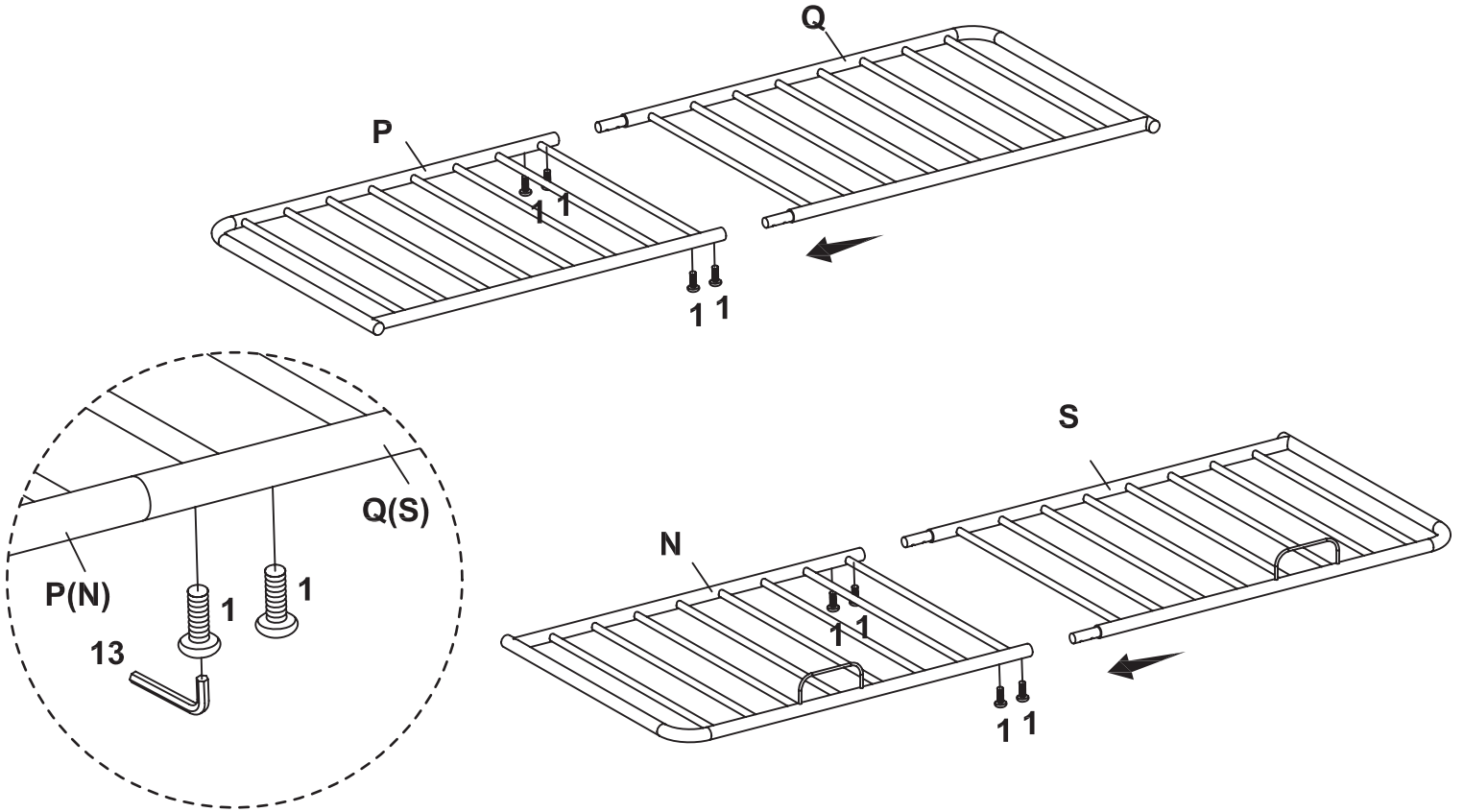
Step 5



Attach adjustment mechanisms (L, R) to lower support using screws (10), washers (2), and nuts (11) as shown in the illustration. Tighten nuts using the provided wrench (15). Be sure to tighten all parts firmly.

Attach foam pads (16) at the locations indicated in the illustration.

Step 6

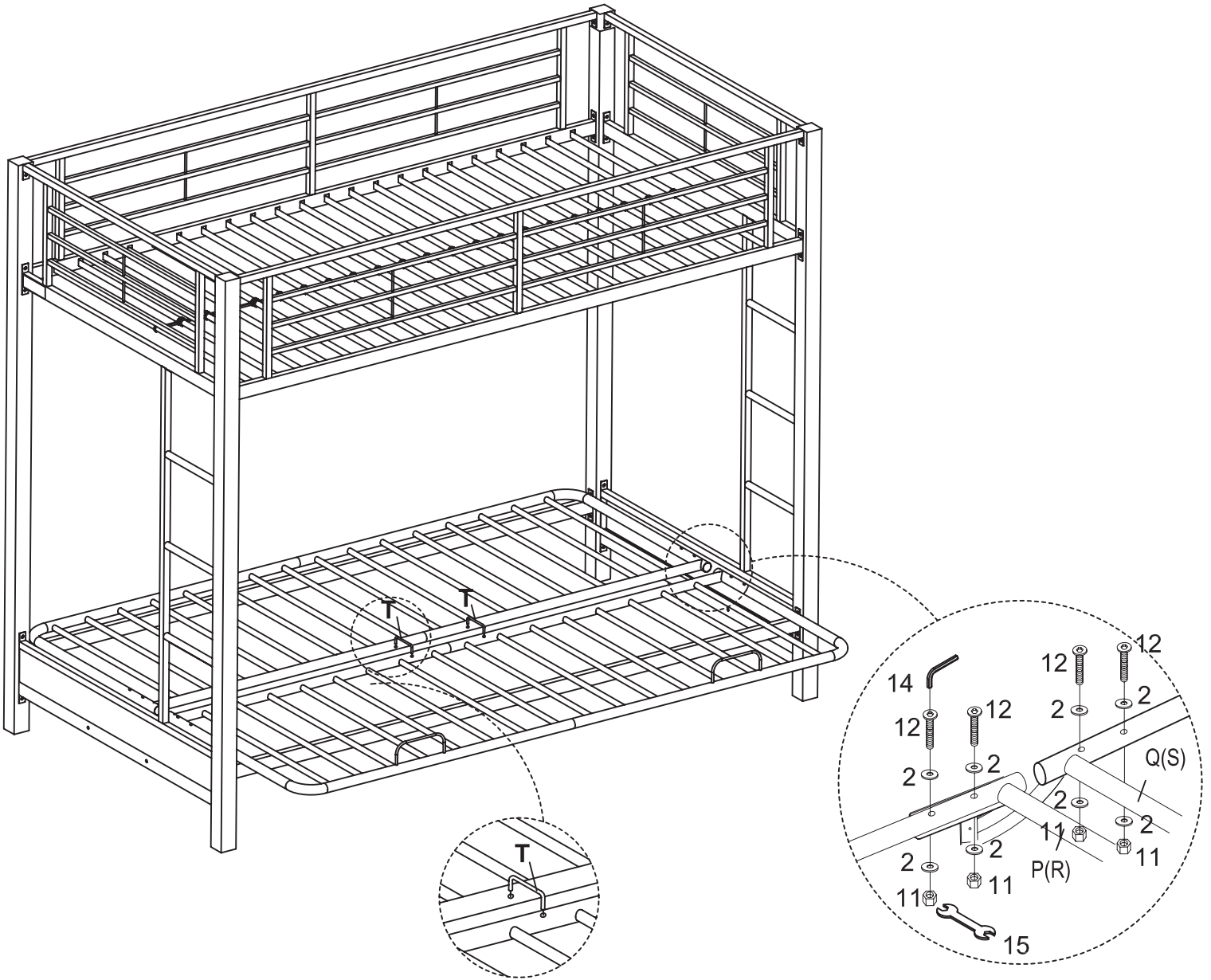


Assemble the top futon frame support by combining parts P and Q, then securing together using screws (1).

Assemble the bottom futon frame support by combining parts N and S, then securing together using screws (1).

Tighten firmly using wrench (13).

Step 7



Attach the futon support frames to the adjustment mechanism using screws (12), washers (2), and nuts (11) as shown in the illustration. Be sure to tighten all hardware firmly.

Insert the connecting arms (T) into the futon support frames as shown in the illustration.