

W Walker
E Edison
furniture company

ITEM # : BDOL
ASSEMBLY INSTRUCTION



For our most up-to-date instructions, to request missing, lost, or broken parts, or for any other Customer Service issues, please visit our website at www.walkeredison.com or call us at 877-207-5906.

Revised 06/2013



Instruction Manual

IMPORTANT INFORMATION READ BEFORE ASSEMBLING THIS PRODUCT

Follow the information on the warning labels found on the bunk bed and on the packaging. Do not remove the warning label from the bed.

Use only a mattress with the dimensions 74-75 in.L x 51.5-52.5 in.W x 9 in.H on the upper bunk.

The surface of the mattress must be at least 5 in. (127mm) below the upper edge of the guardrails. Mattress must not exceed the maximum thickness of 9 in.

Always use the recommended size of mattress or mattress support, or both, to help prevent the likelihood of entrapment or falls.

The use of a water or sleep flotation mattress is prohibited.

Replacement parts, including additional guardrails, may be obtained from any of Walker Edison Furniture Company's dealers or by contacting us online at www.walker-edison.com.

DO NOT use substitute parts. Contact the manufacturer or dealer for replacement parts.

Always use guardrails on the upper bunk. If the bunk bed will be placed next to a wall, the guardrail running the full length of the bed should be placed against the wall to prevent entrapment between the bed and the wall.

Periodically check that the guardrails, ladders and other components of the bed are in their proper position, free from damage, and that all connectors are tight.

Always use the ladder to access the upper bunk.

DO NOT allow children under 6 years of age to use the upper bunk.

DO NOT allow horseplay on or under the bed. Prohibit jumping on the bed.

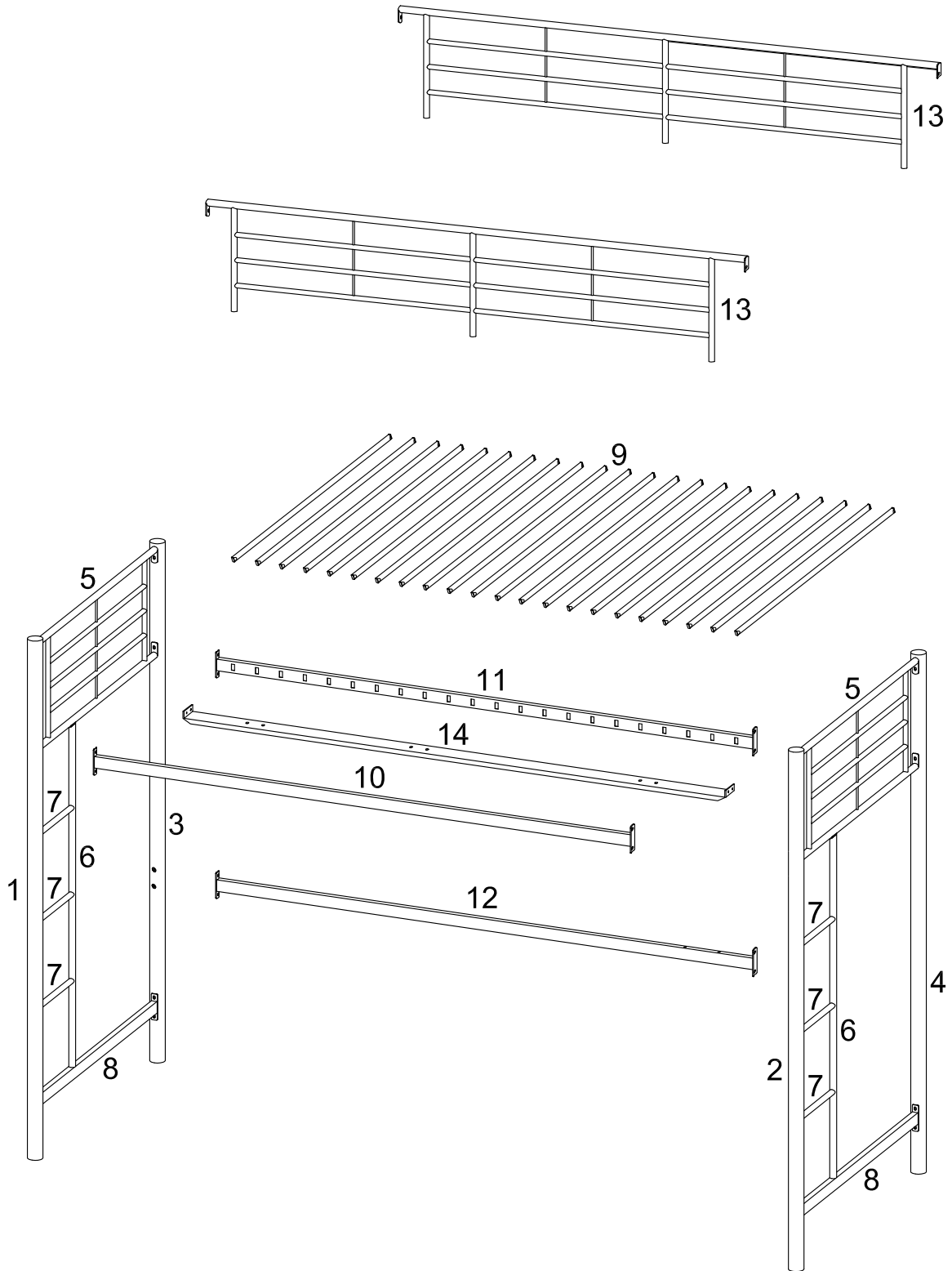
Prohibit more than one person on the upper bunk.

The use of a night light may provide an added safety precaution for a child using the upper bunk.









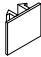
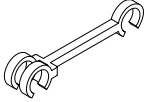




STRANGULATION HAZARD – Never attach or hang items to any part of the bunk bed that are not designed for use with the bed; including but not limited to hooks, belts and jump ropes.

Keep these instructions for future reference.

Parts List

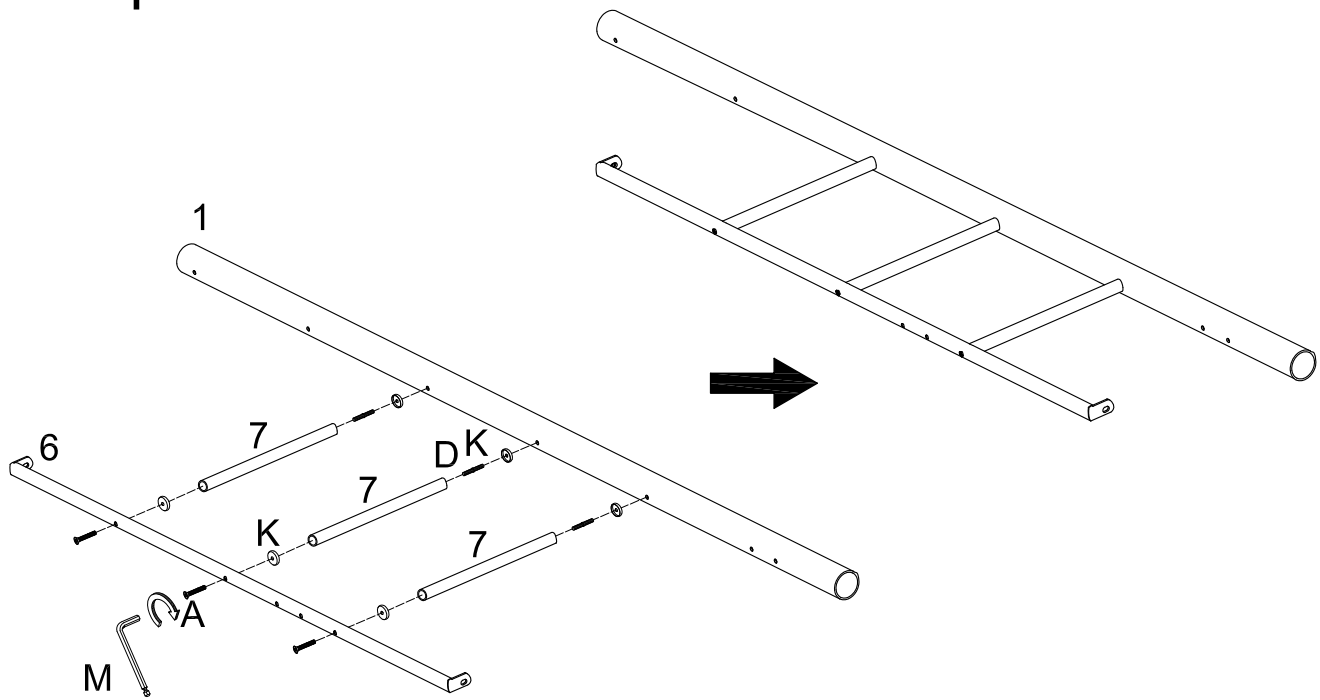


Hardware List

A		Ø1/4"x1-1/4"	Screw	6 pcs
B		Ø5/16"x2-1/4"	Screw	8 pcs
C		Ø1/4"x5/8"	Screw	62 pcs
D		Ø1/4"x1"	Screw	6 pcs
E		Ø5/16"x18	washer	8 pcs
F		Ø1/4"x16	washer	48 pcs
G			Angle Bracket	2 pcs
H		9x14	Plastic plug	4 pcs
I		15x17	Snap plastic tab lock	44 pcs
J			Snap plastic link	21 pcs
K			Washer	12 pcs
L		M5	Large wrench	1 pc
M		M4	Small wrench	1 pc
N			Angle Bracket	3 pcs

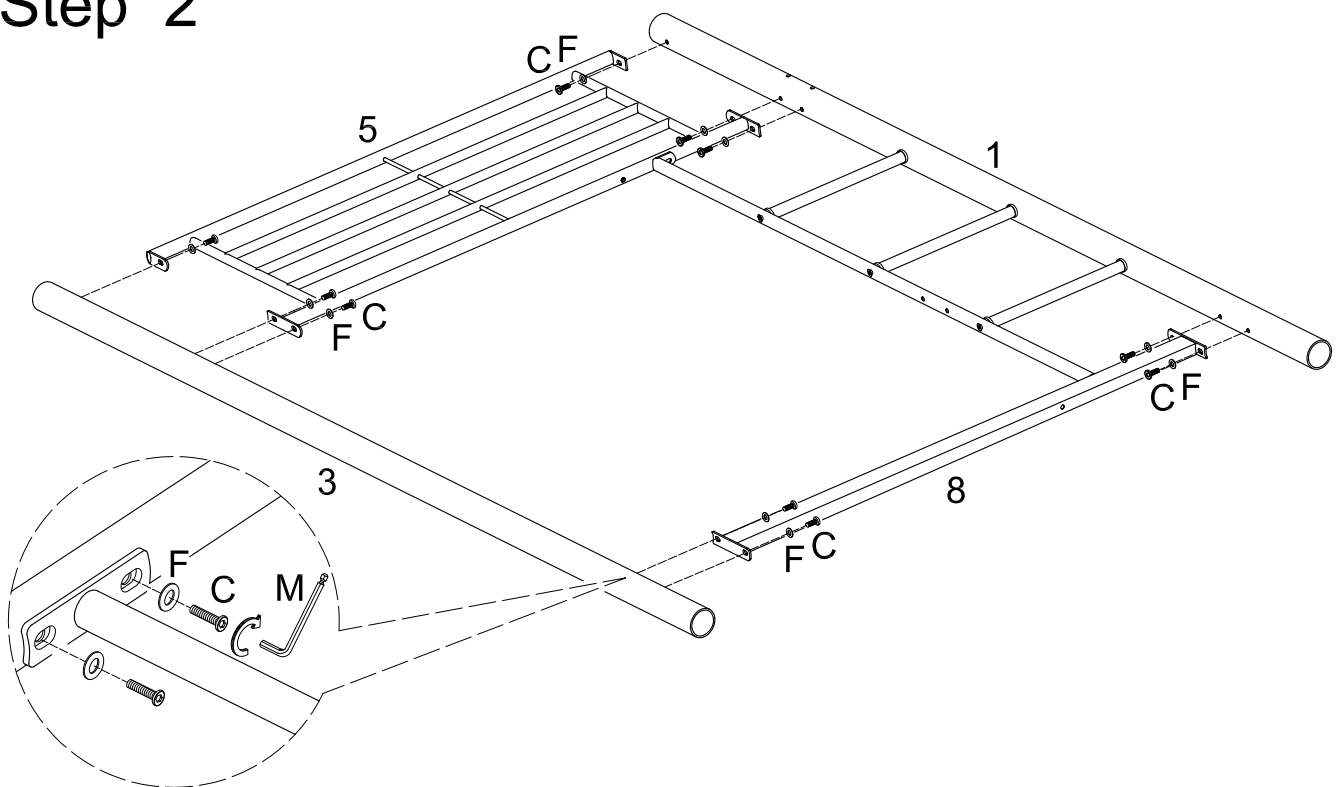
*The hardware quantities listed above are required for proper assembly.
Some extra hardware may also have been included.*

Step 1



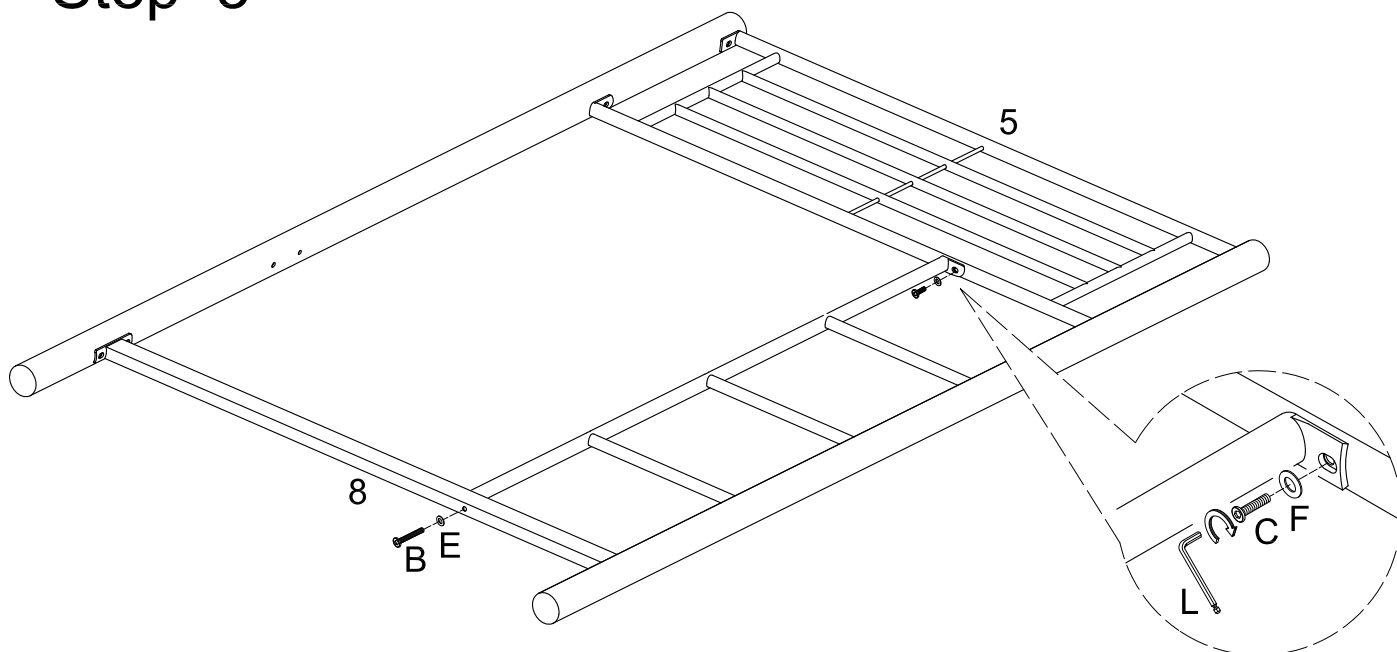
Attach post (1) to the left side of ladder rungs (7) using double-ended screws (D) and rounded washers (K). Attach ladder rail (6) to the right side of ladder rungs (7) using medium bolts (A) and rounded washers (K). Tighten medium bolts (A) with small wrench (M).

Step 2



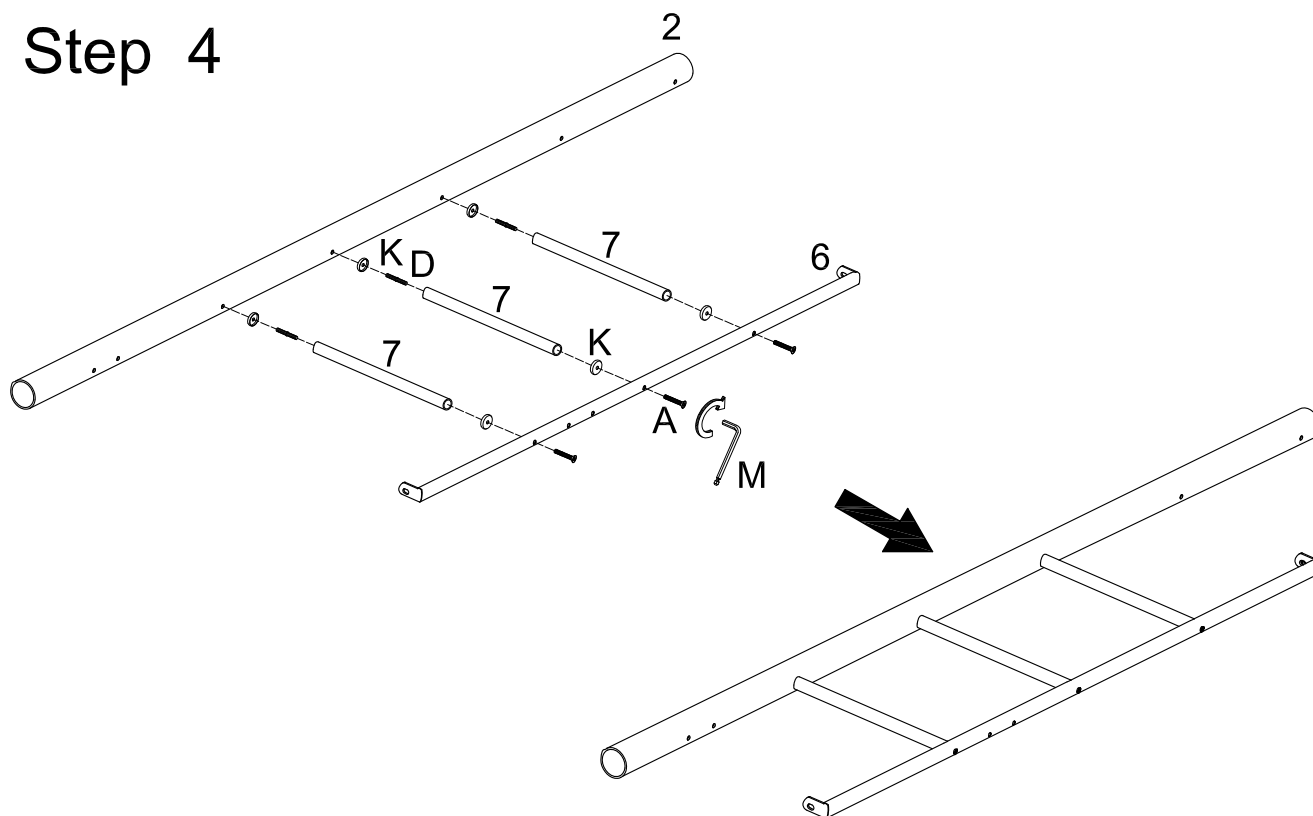
Attach guardrail (5) and crossbar (8) to post (1) using small bolts (C) and small washers (F). Attach post (3) to guardrail (5) and crossbar (8) using small bolts (C) and small washers (F). Tighten small bolts (C) with small wrench (M).

Step 3



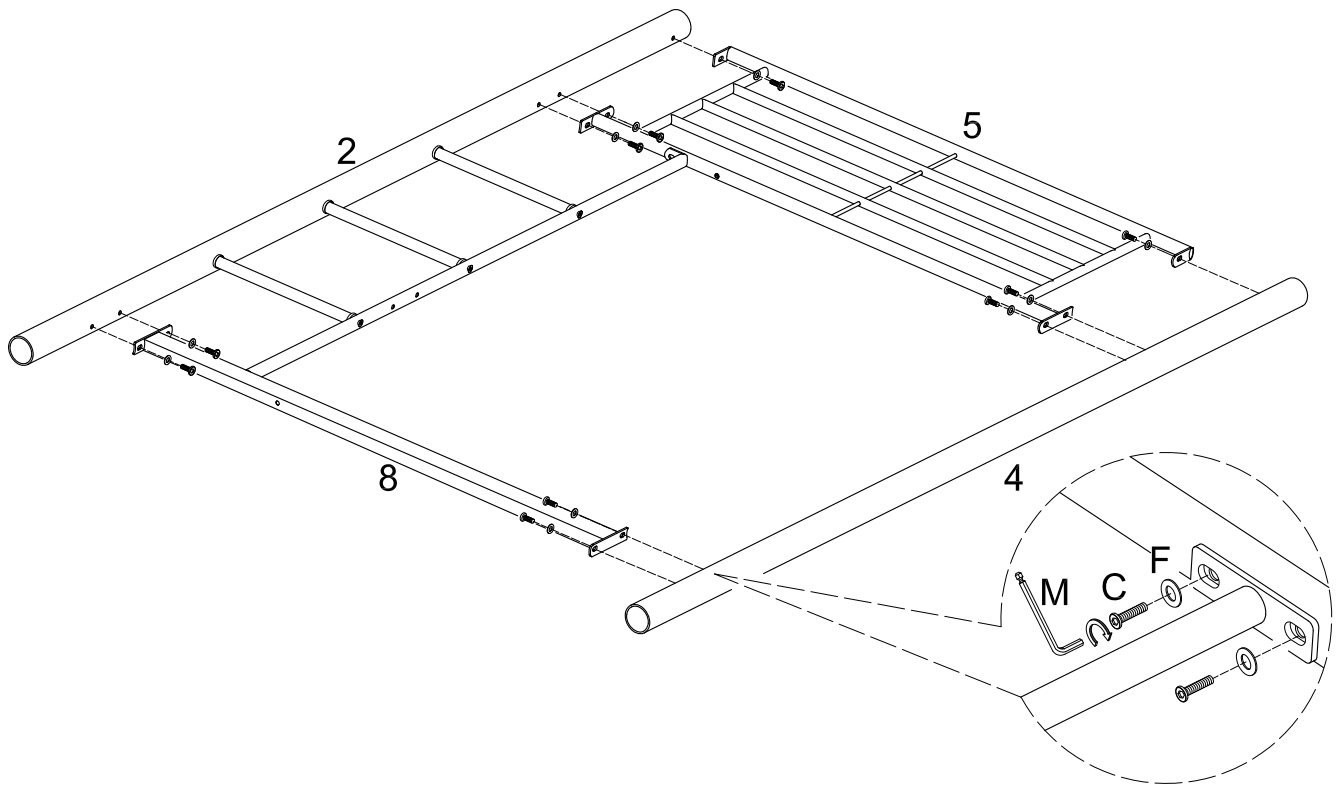
Secure ladder rail (6) to guardrail (5) using small bolt (C) and small washer (F). Secure ladder rail (6) to crossbar (8) using large bolt (B) and large washer (E). Tighten small washer (F) with small wrench (M) and large bolt (B) with large wrench (L).

Step 4



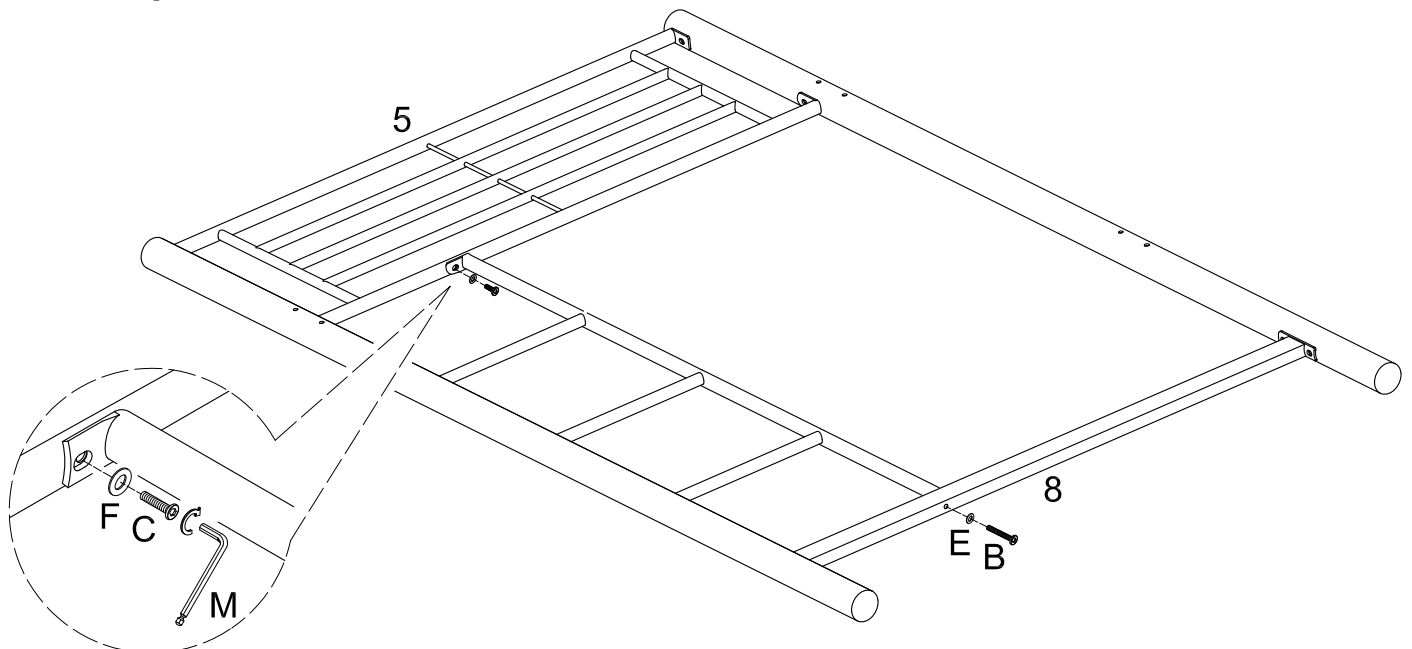
Attach post (2) to the right side of ladder rungs (7) using double-ended screws (D) and rounded washers (K). Attach ladder rail (6) to the left side of ladder rungs (7) using medium bolts (A) and rounded washers (K). Tighten medium bolts (A) with small wrench (M).

Step 5



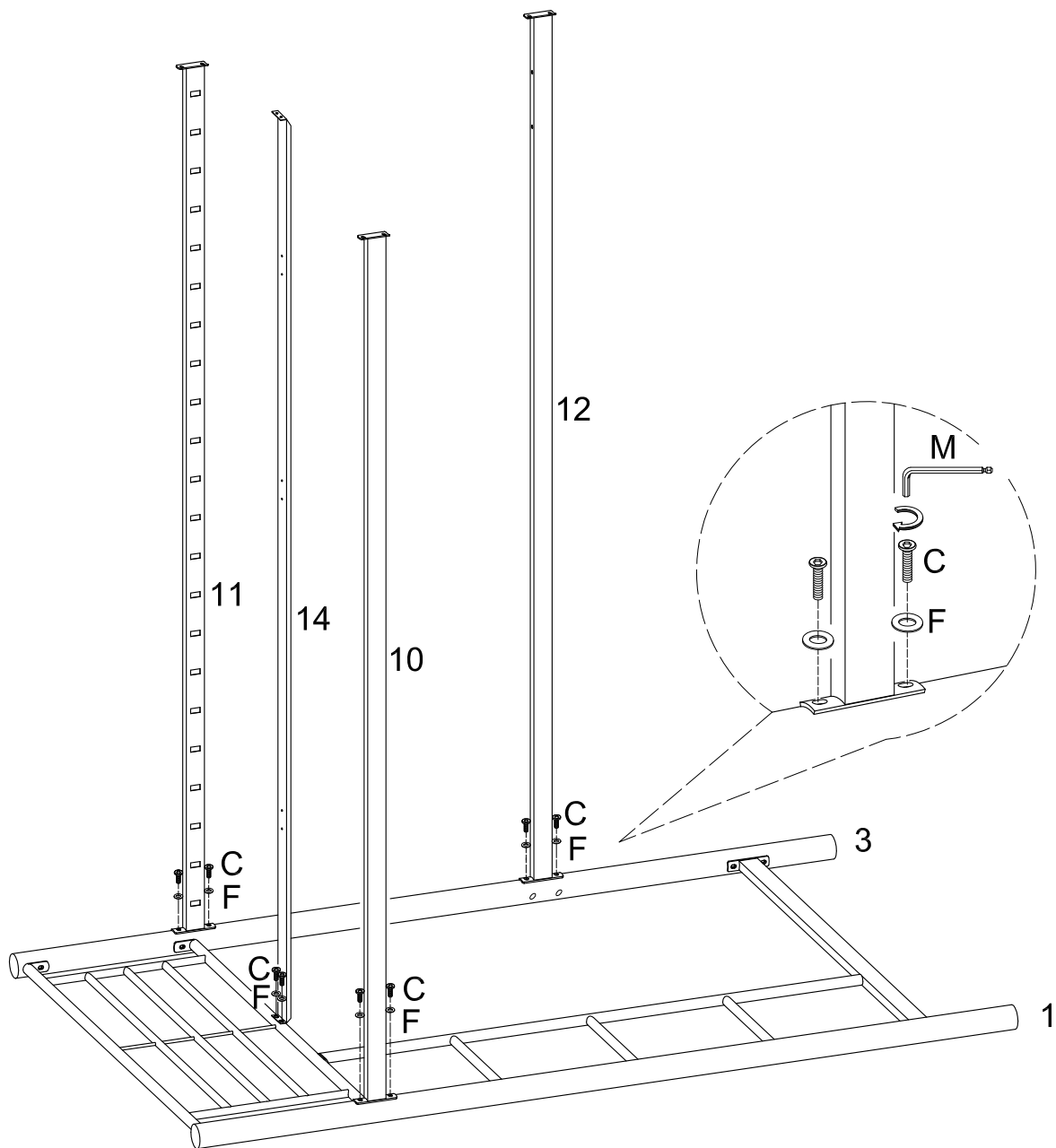
Attach guardrail (5) and crossbar (8) to post (2) using small bolts (C) and small washers (F) . Attach post (4) to guardrail (5) and crossbar (8) using small bolts (C) and small washers (F). Tighten small bolts (C) with small wrench (M).

Step 6



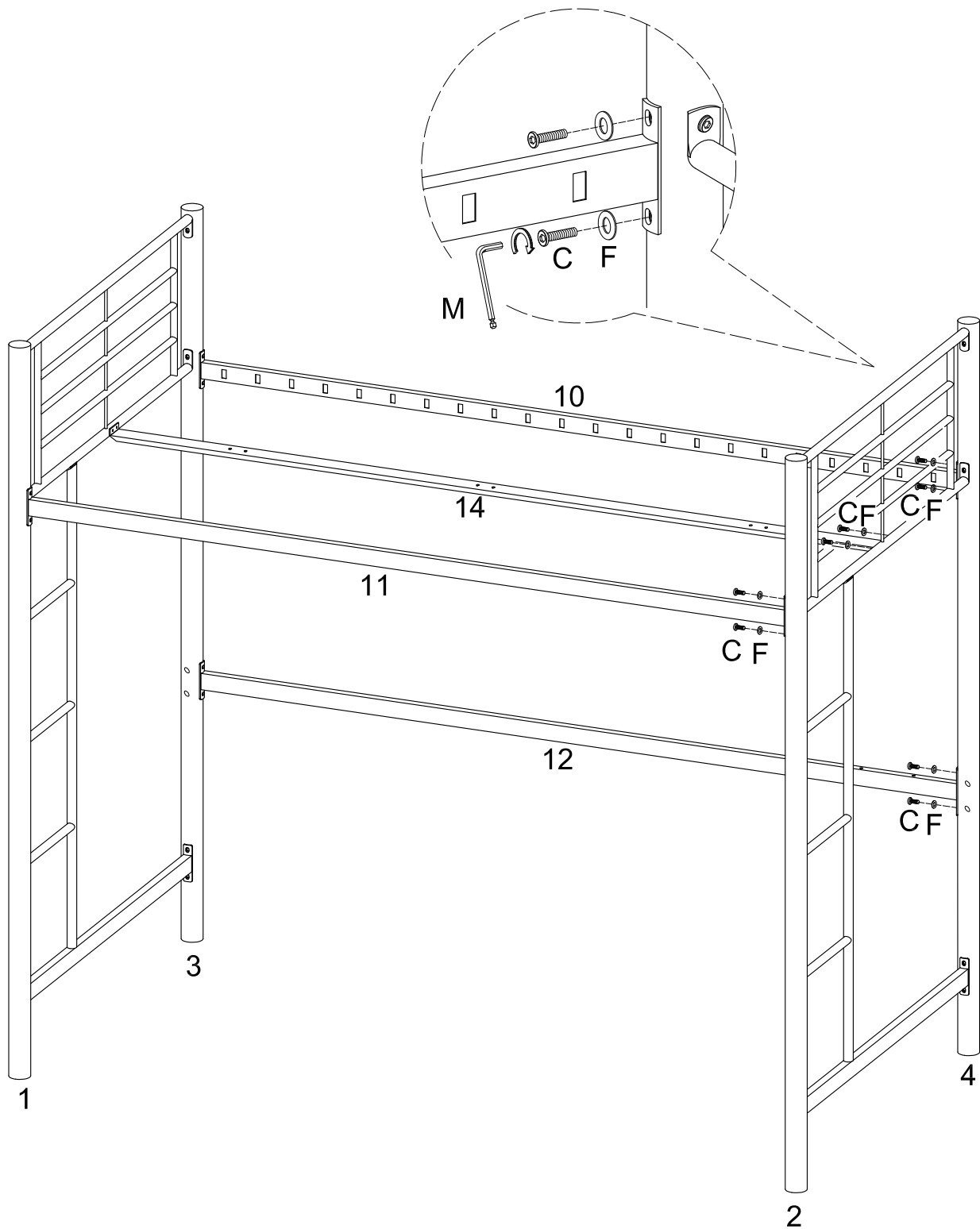
Secure ladder rail (6) to guardrail (5) using small bolt (C) and small washer (F). Secure ladder rail (6) to crossbar (8) using large bolt (B) and large washer (E) .Tighten small washer (F) with small wrench (M) and large bolt (B) with large wrench (L).

Step 7



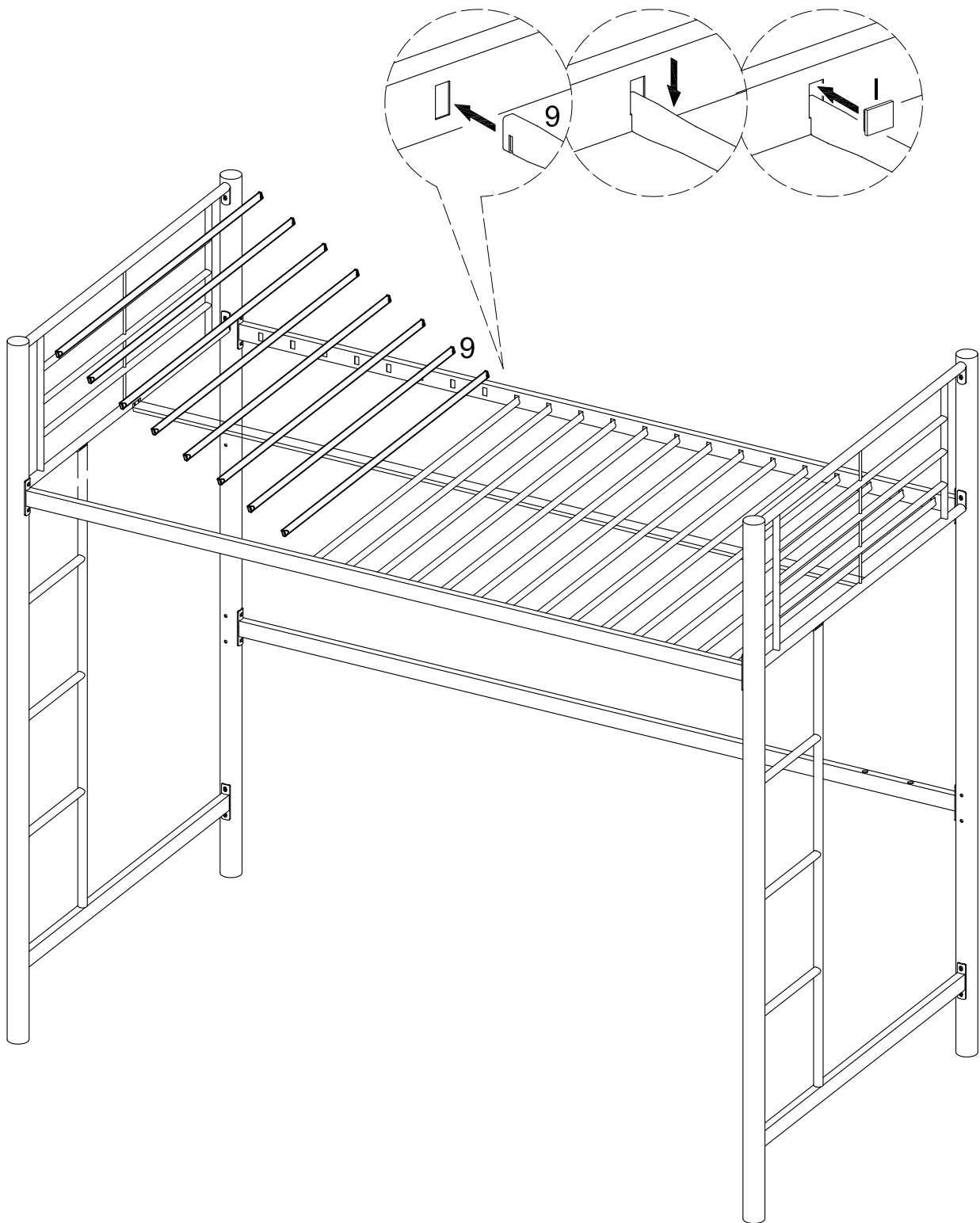
Attach crossbars (10,11,12,14) to the assembly from Step 3 using small bolts (C) and small washers (F) .Tighten samll bolts (C) with samll wrench (M).

Step 8



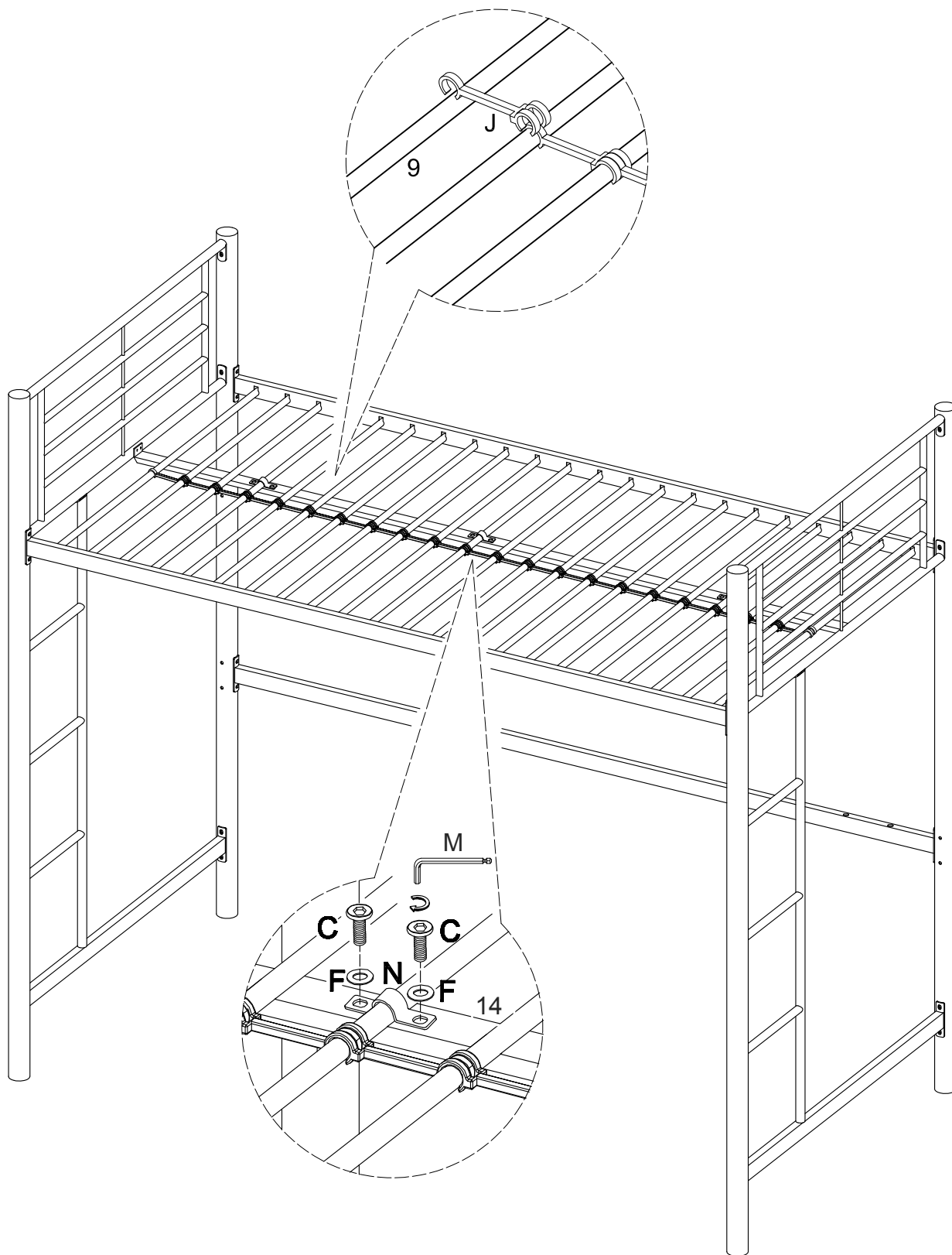
Attach crossbars (10,11,12,14) to the assembly from Step 6 using small bolts (C) and small washers (F) .Tighten samll bolts (C) with samll wrench (M).

Step 9



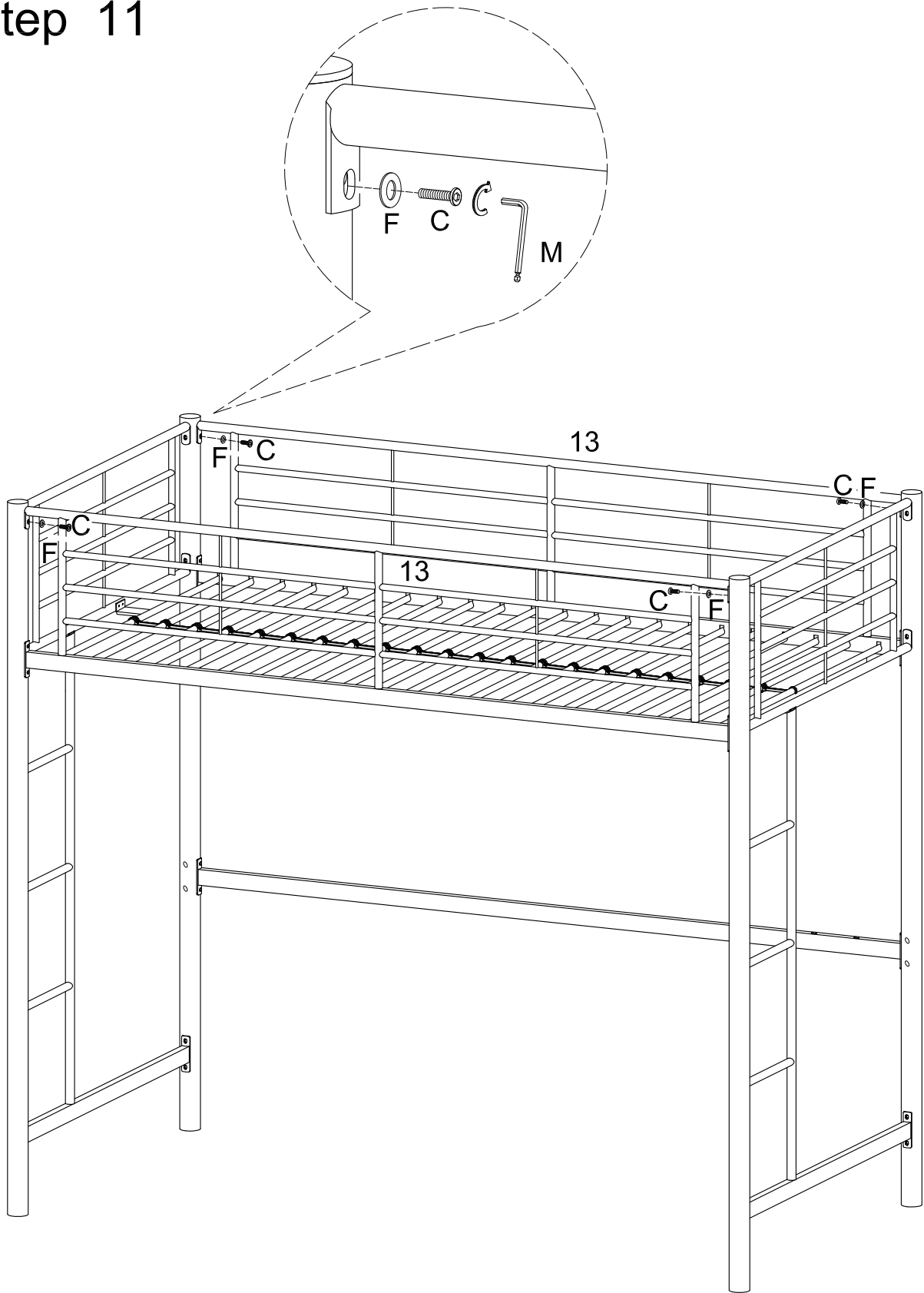
Insert mattress support bars (9) into the provided slots of crossbars (10,11). Secure mattress support bars (9) by snapping plastic tab locks (1) into the provided slots of crossbars (10,11). Note that it may be necessary to apply more pressure to some plastic tab locks than others.

Step 10



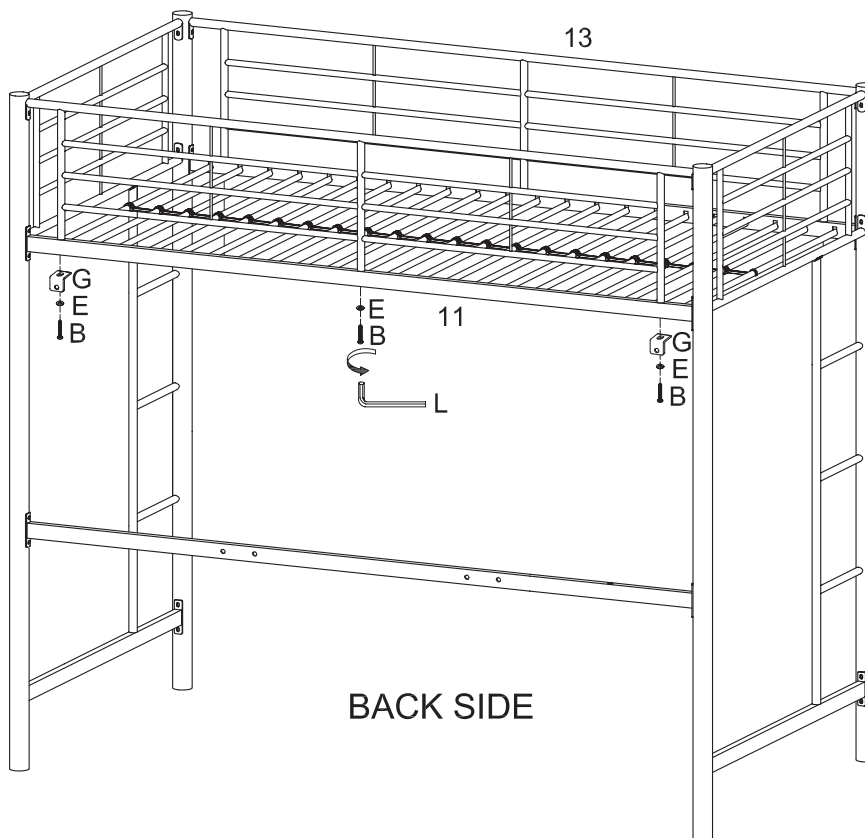
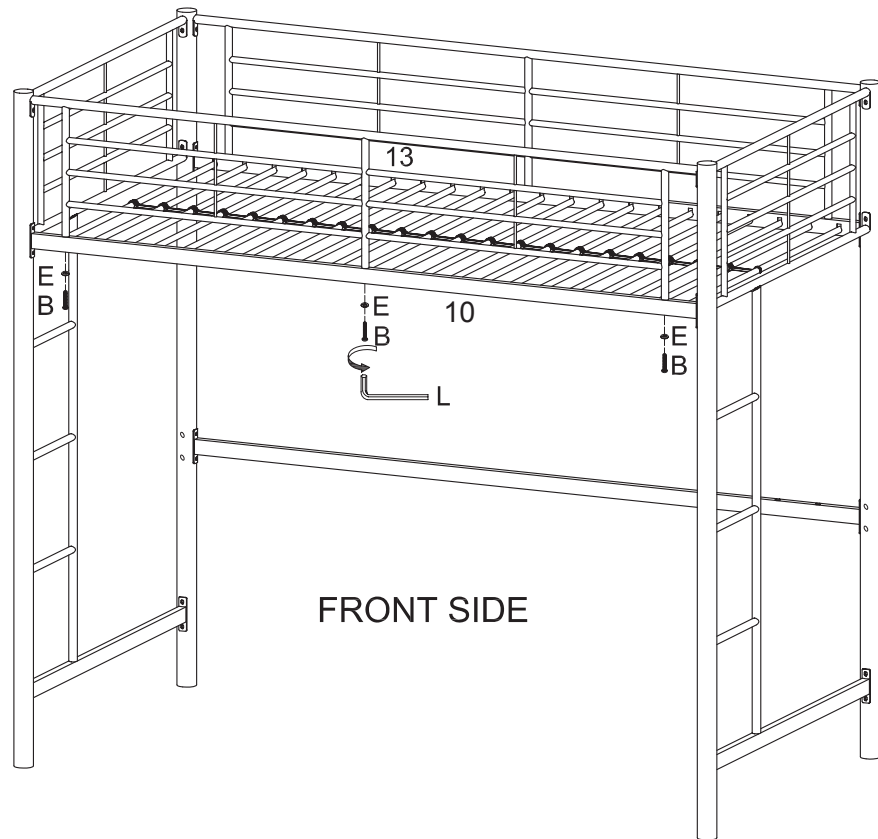
Snap plastic links (J) onto the middle of mattress support bars (9). Attach angle bracket (N) to crossbar (14) using small bolts (C) and small washers (F). Tighten small bolts (C) with small wrench (M).

Step 11



Attach guardrails (13) to posts (1,2,3,4) using small bolts (C) and small washers (F) .
Tighten small bolts (C) with samll wrench (M).

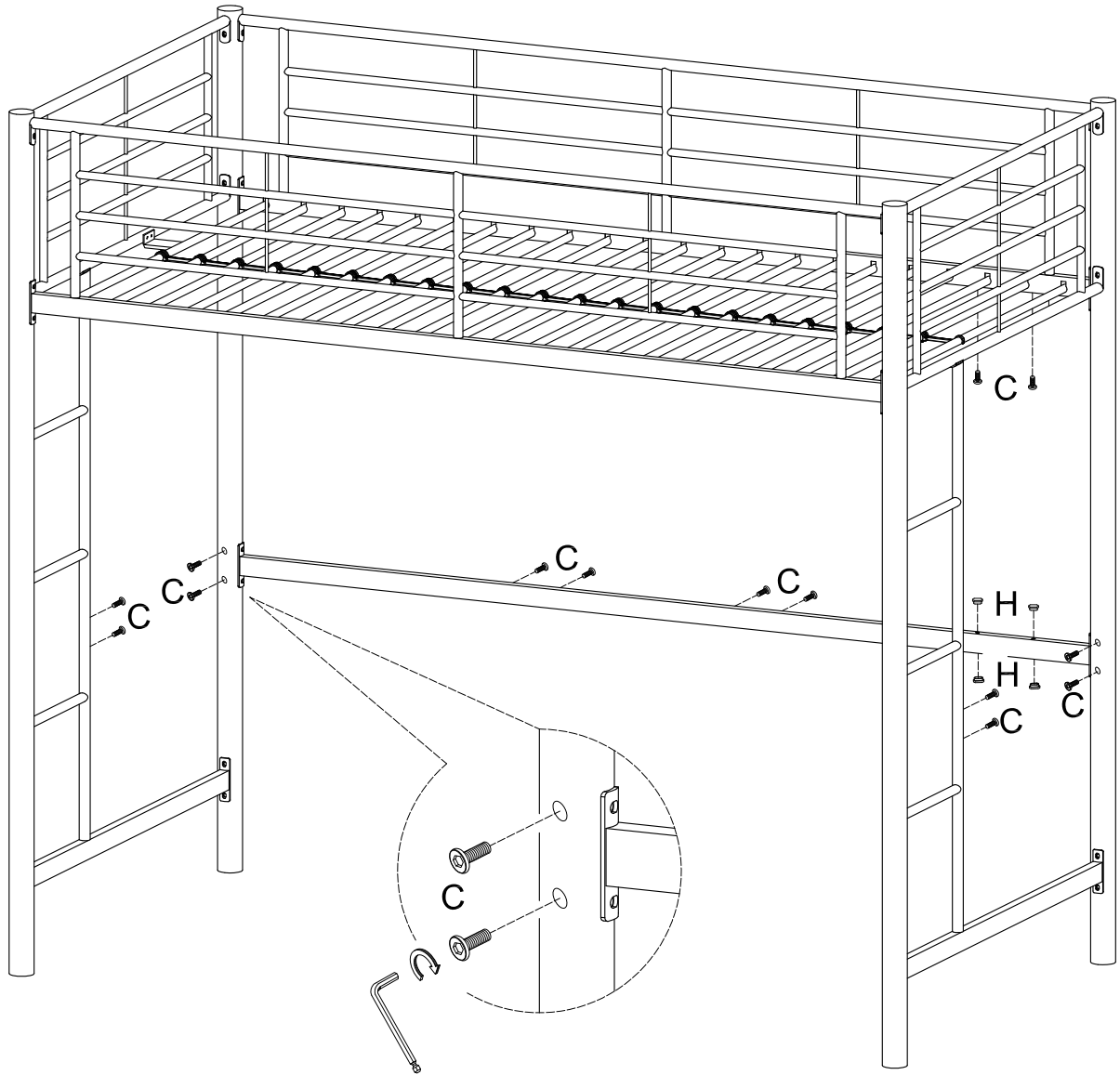
Step 12



Secure front guardrail (13) to crossbar (10) using large bolts (B) and large washers (E). Secure back guardrail (13) to crossbar (11) using large bolts (B), large washers (E) and, where applicable, angle brackets (G).^{*} Tighten large bolts (B) with large wrench (L).

^{}OPTIONAL: Angle brackets (G) can be used to attach the bed to a wall for additional support. You must use hardware suitable for the particular wall type, which is not included as there are many different wall types. You must also mount the bed to the structure of the wall (i.e. wood studs, metal studs or cement/brick) directly. DO NOT attach the bed to the surface of the wall without anchoring into the structural framework of the wall. Please seek professional advice if you are unsure of your own ability to do this correctly. Walker Edison Furniture Company makes no representation of warranty, expressed or implied, to the strength of any structure and the wall's ability to hold your bed. You assume all responsibility and indemnify Walker Edison Furniture Company of any and all damages that may be incurred by attaching your bed to the wall.*

Step 13



Screw small bolts (C) and insert plastic plugs (H) into the bunk bed assembly. This will fill the holes that are used only with the optional accessory attachments, which are sold separately.

Step 14



Final Assembly