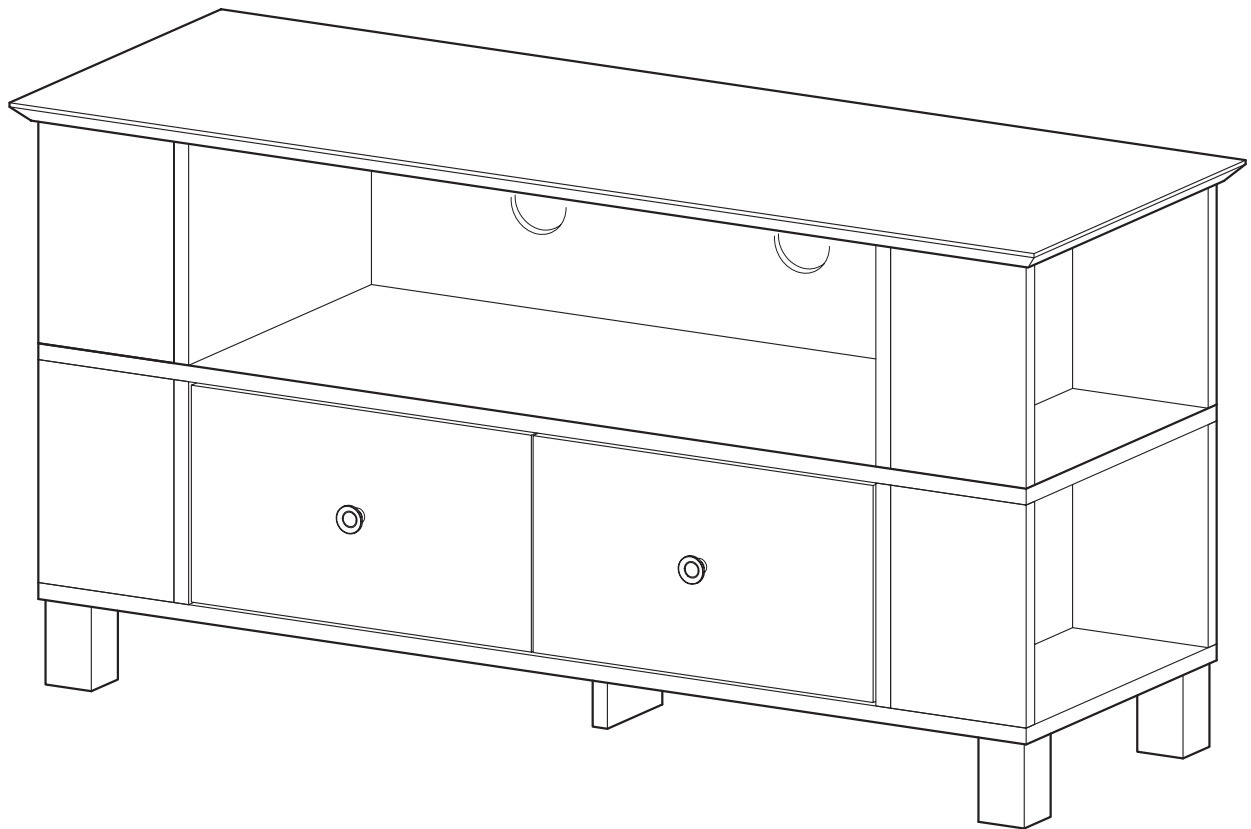




Walker
Edison

furniture company

Item #: P60CMP
Assembly Instructions

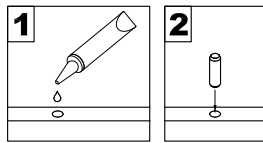


For our most current instructions, to request missing, lost or broken parts, or for any other Customer Service issues, please visit our website at www.walkeredison.com or call us at 877-207-5906.

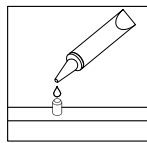
Revised 11/2010

General Assembly Guidelines

- I. Ensure that all parts and hardware are available before beginning assembly.
- II. Follow each step carefully to ensure the proper assembly of this product.
- III. Two people are recommended for ease in the assembly of this product.
- IV. The four main types of hardware used to assemble this product are: wood dowels, cam bolts and locks, bolts and screws.
- V. The provided glue is to secure wood dowels in place. When first inserting dowels, locate the appropriate hole for the dowel, place a small amount of glue in the hole and insert the dowel. Wipe away excess glue immediately.



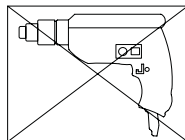
In future assembly steps when dowels are necessary to attach assembly parts together, place a small amount of glue on the end of the dowel before attaching parts together. Wipe away excess glue immediately.



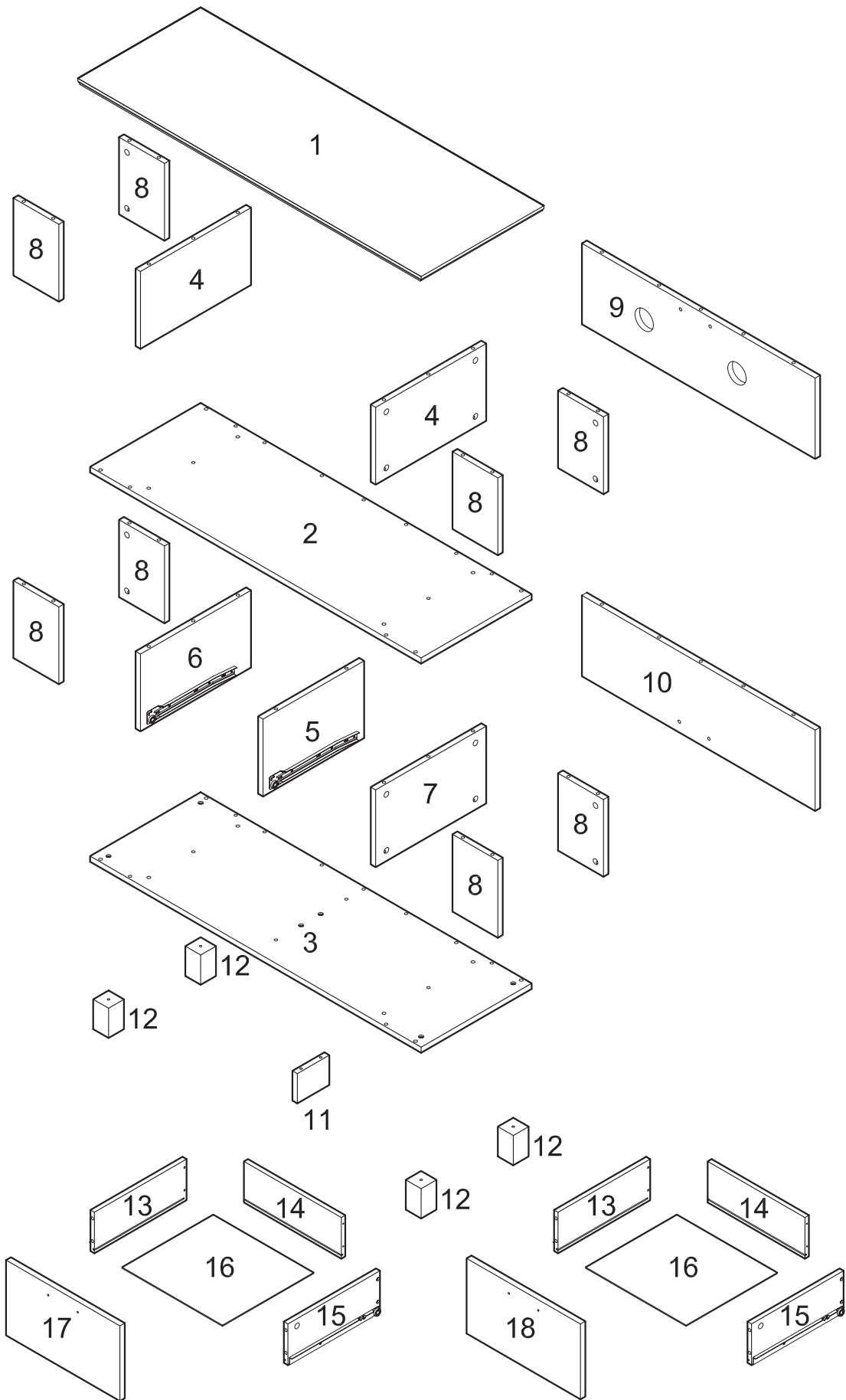
- VI. A Phillips head screwdriver is required for the assembly of this product.







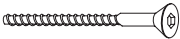





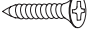


- VII. Power tools should not be used to assemble this product.



Parts List

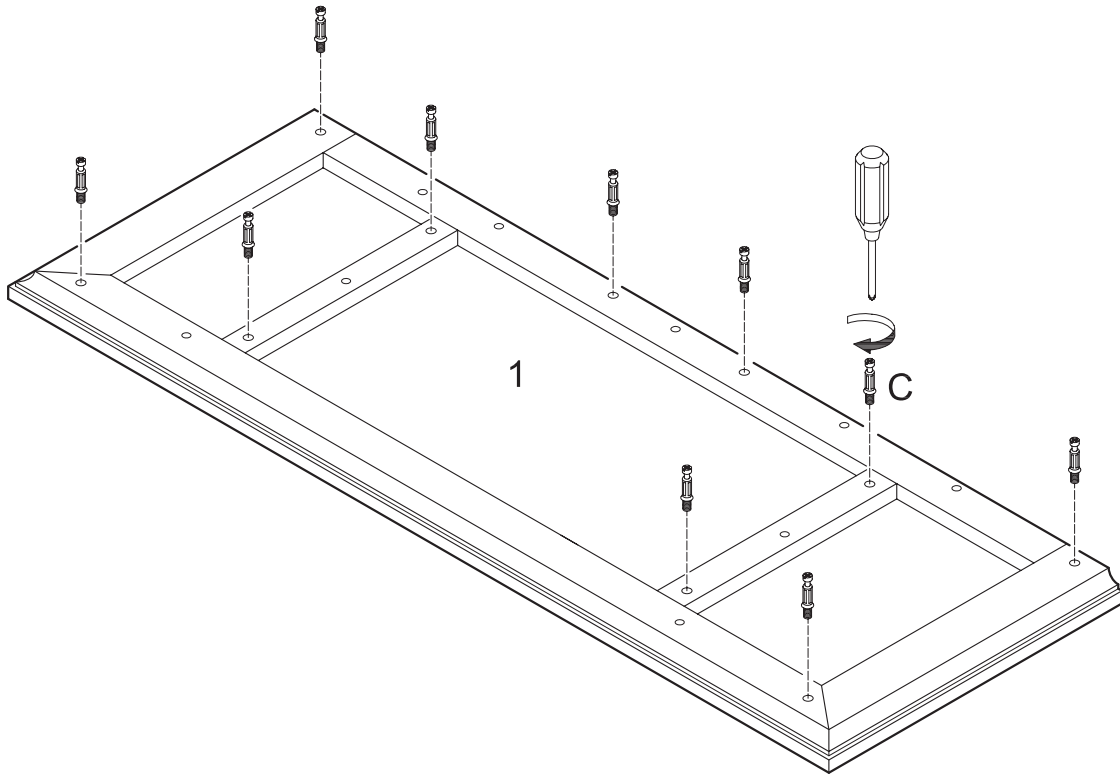


Hardware List

A		Ø15x12mm	Large cam lock	40 pcs
B		Ø15x10mm	Small cam lock	8 pcs
C			Short cam bolt	28 pcs
D		Ø8x30mm	Short wood dowel	22 pcs
E		Ø6x50mm	Large bolt	6 pcs
F		Ø4mm	Wrench	1 pc
G			Long cam bolt	10 pcs
H		Ø8x50mm	Long wood dowel	9 pcs
J			Handle	2 pcs
K		Ø4x19mm	Small bolt	2 pcs
L		Ø4*30mm	Screw	8 pcs
M		Ø25mm	Sticker	48 pcs
N			Glue tube	2 pcs

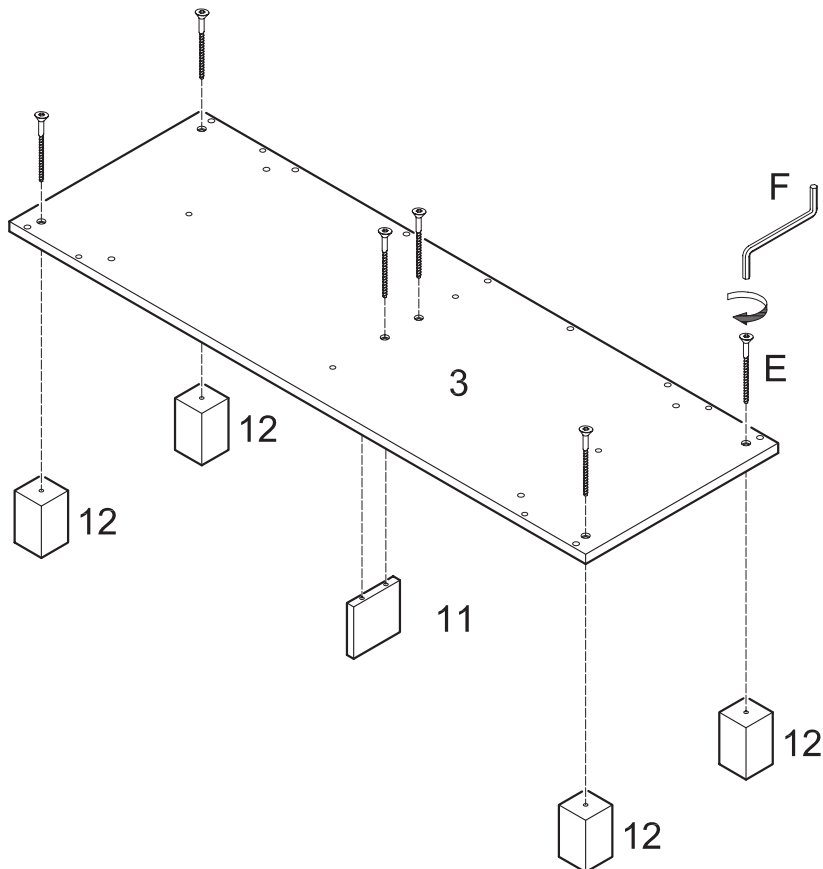
*The hardware quantities listed above are required for proper assembly.
Some extra hardware may also have been included.*

Step 1



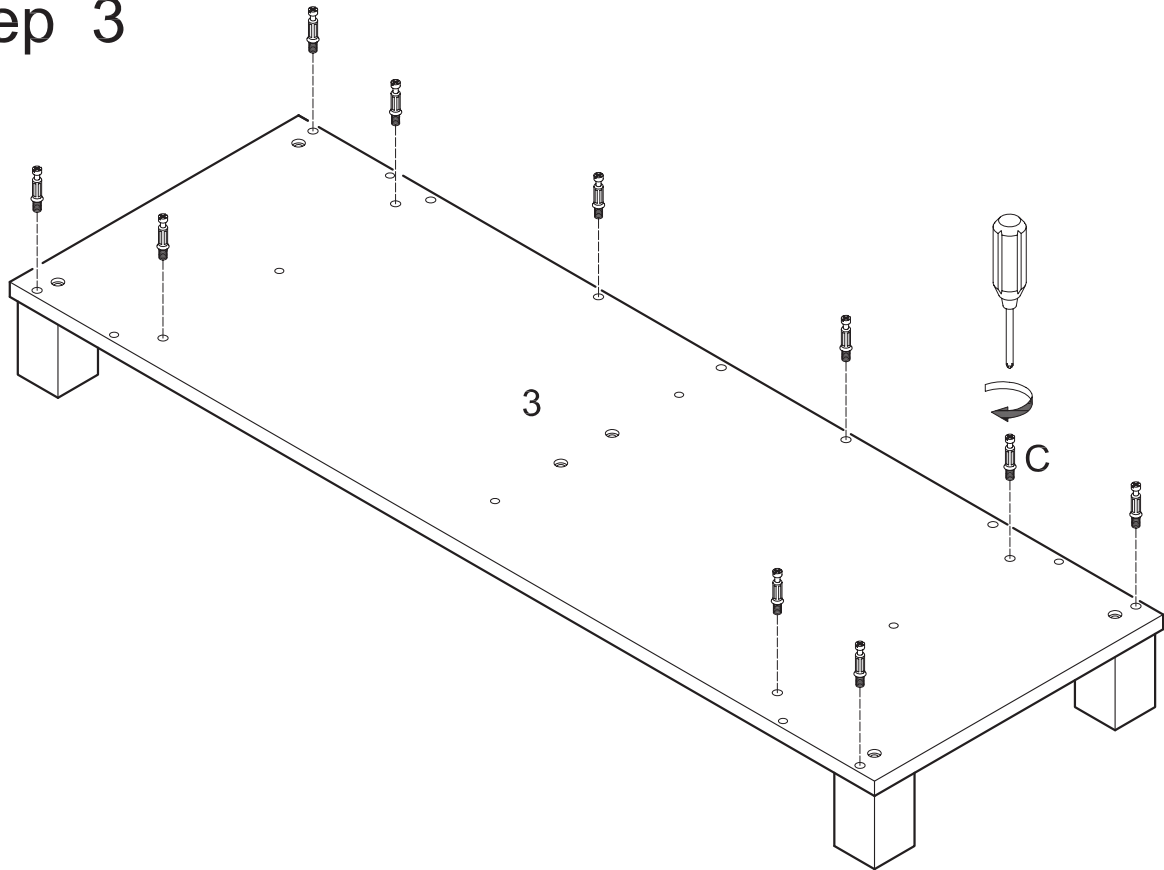
Screw short cam bolts (C) into stand top (1).

Step 2



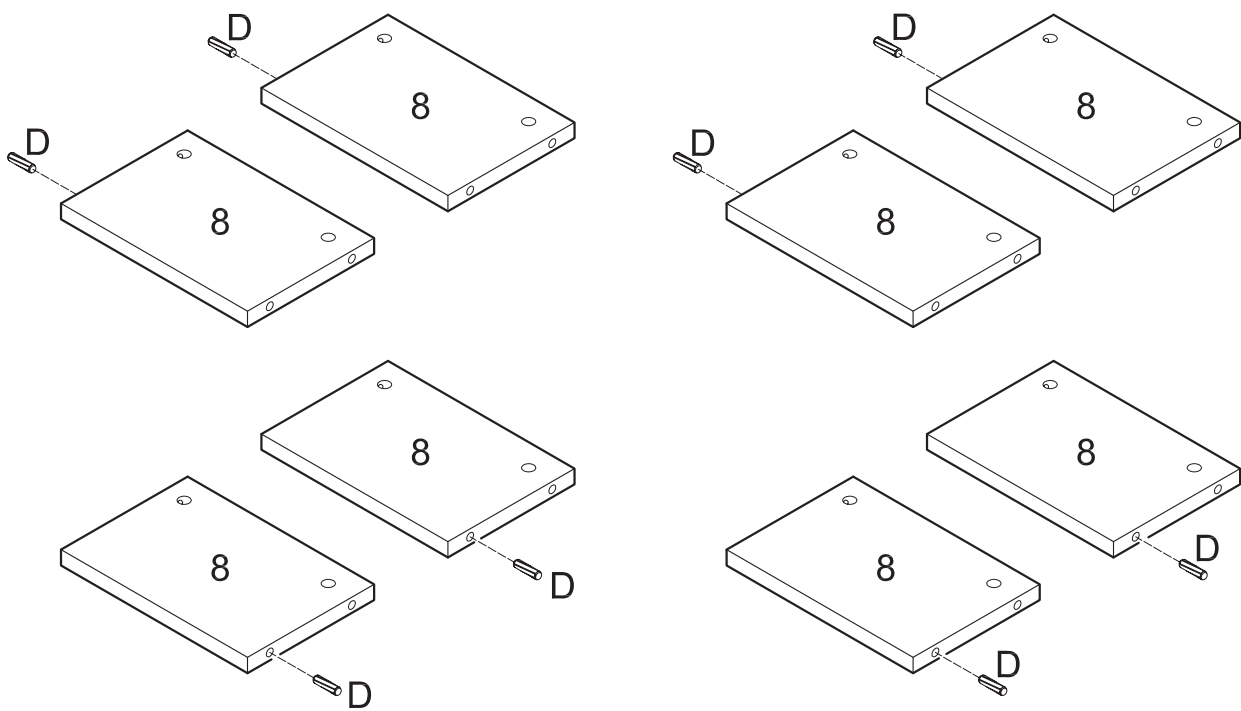
Attach feet (12) and stand support (11) to stand base (3) using large bolts (E) and wrench (F).

Step 3



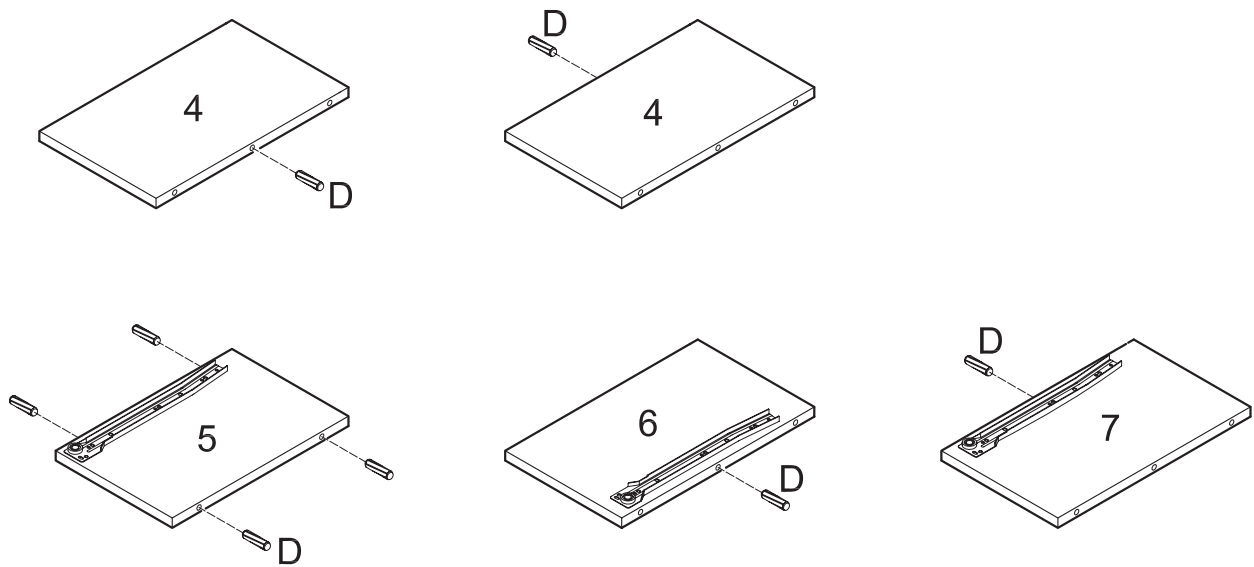
Screw short cam bolts (C) into stand base (3).

Step 4



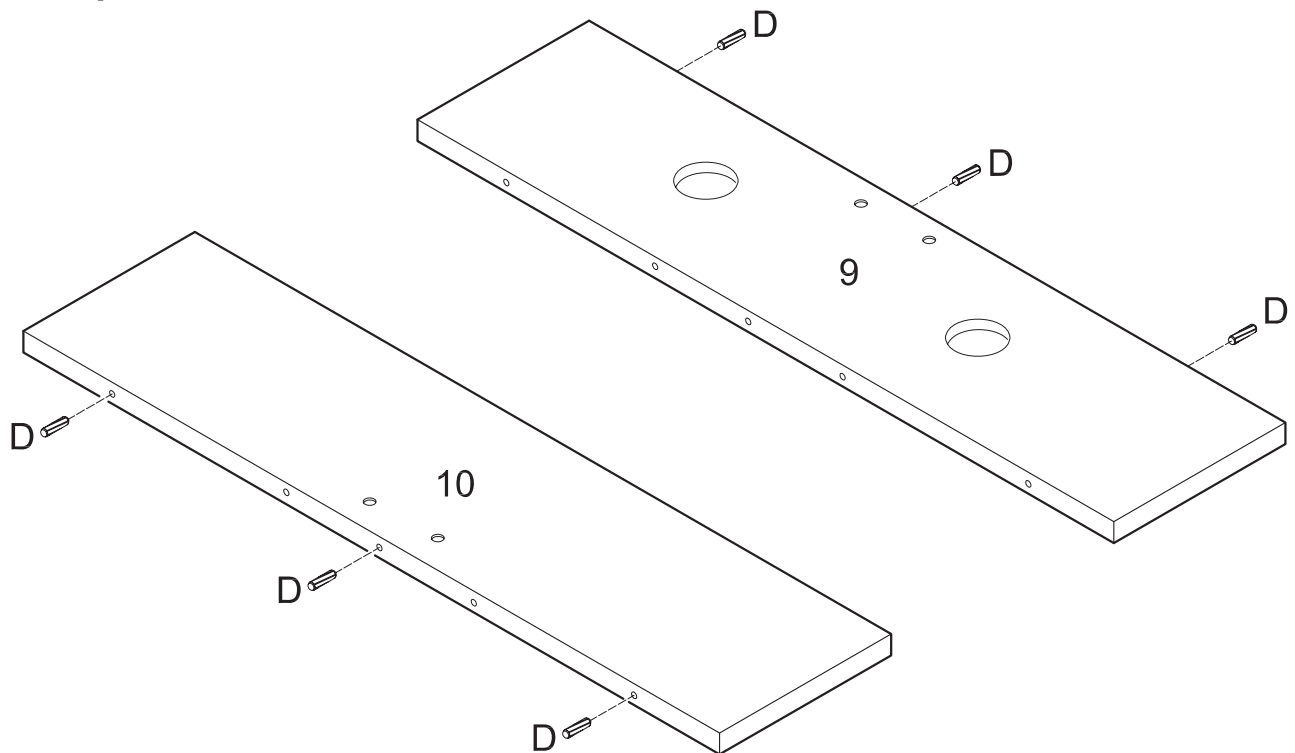
Insert short dowels (D) into panels (8) on appropriate sides.

Step 5



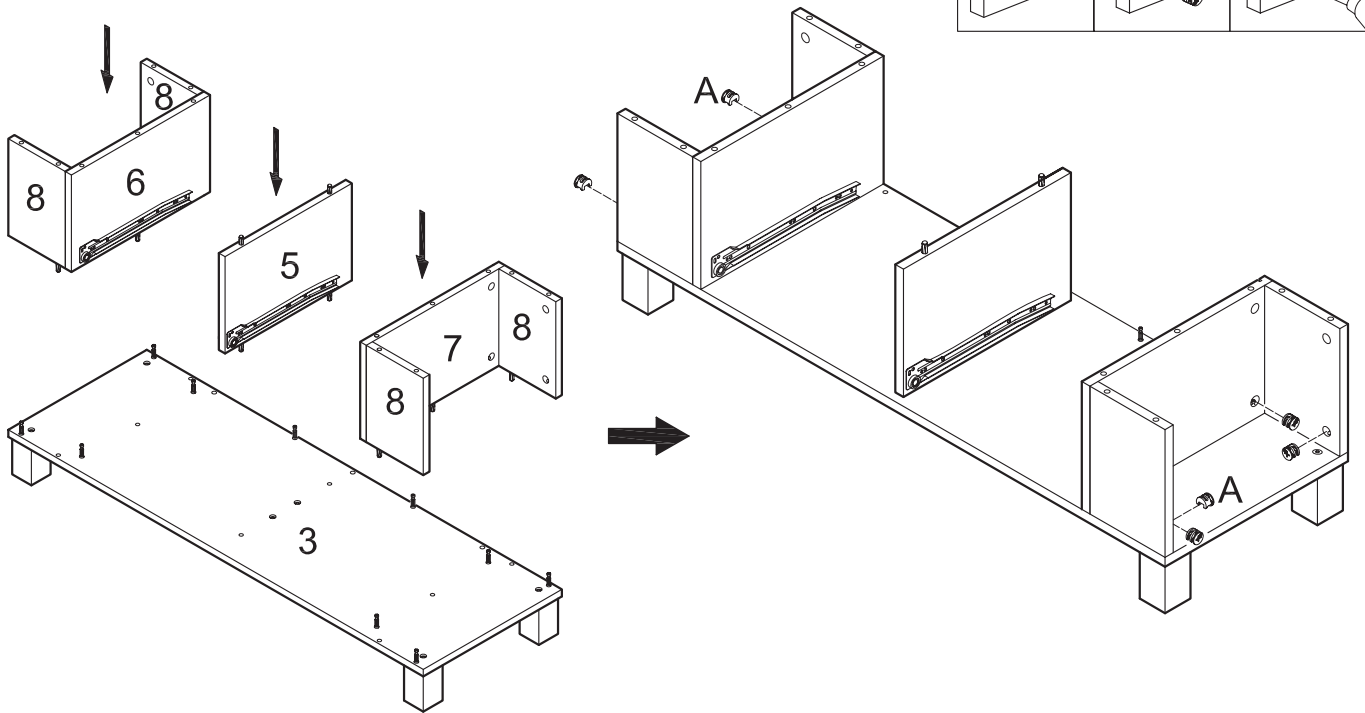
Insert short dowels (D) into panels (4,5,6,7) on appropriate sides.

Step 6



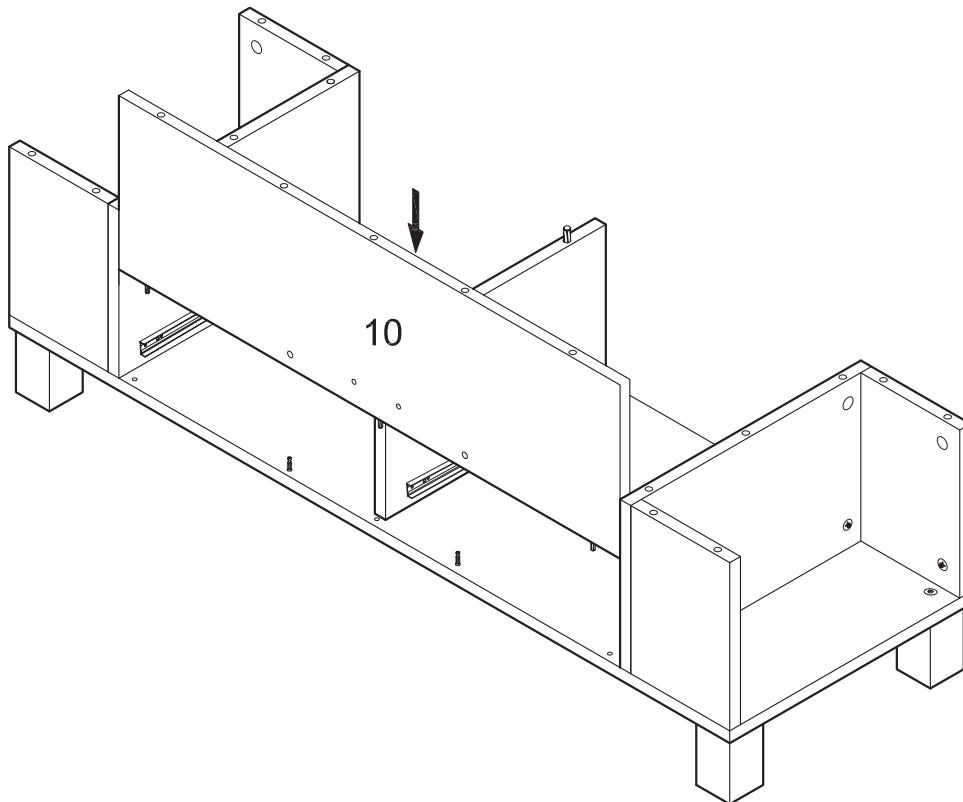
Insert short dowels (D) into back panels (9,10).

Step 7



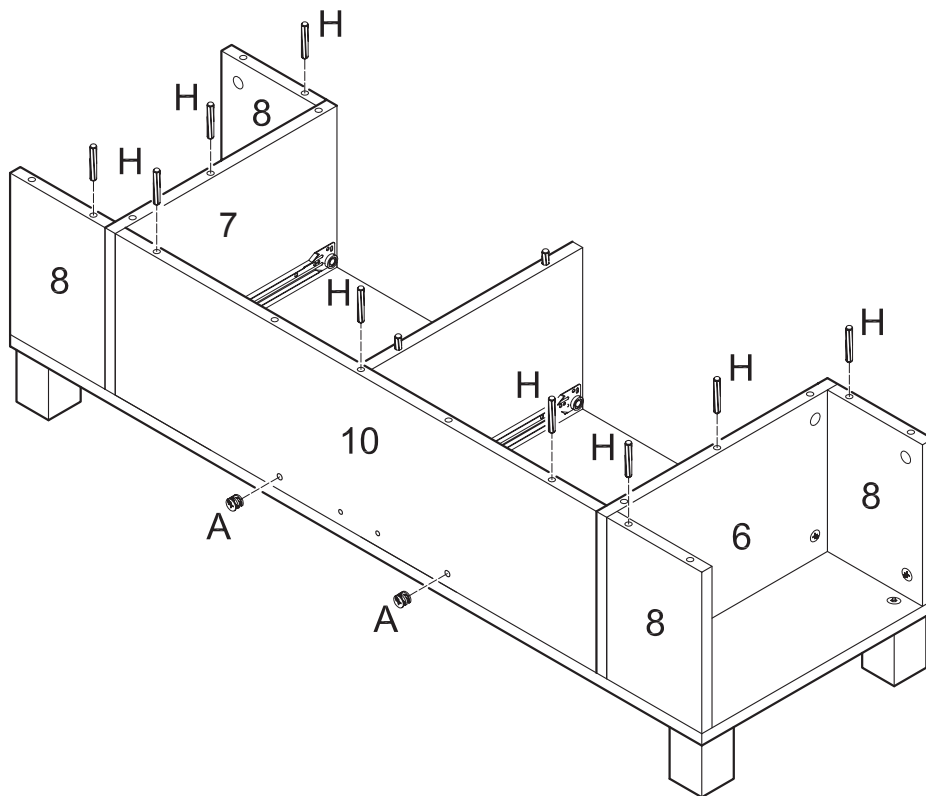
Attach panels (5,6,7,8) to stand base (3) using cam bolts and dowels as guides. *Note that panels (8) are not attached to panels (6,7), but that all panels should align when attached to stand base (3).* Secure panels (6,7,8) to stand base (3) by inserting large cam locks (A) into panels (6,7,8) and tightening with a screwdriver.

Step 8



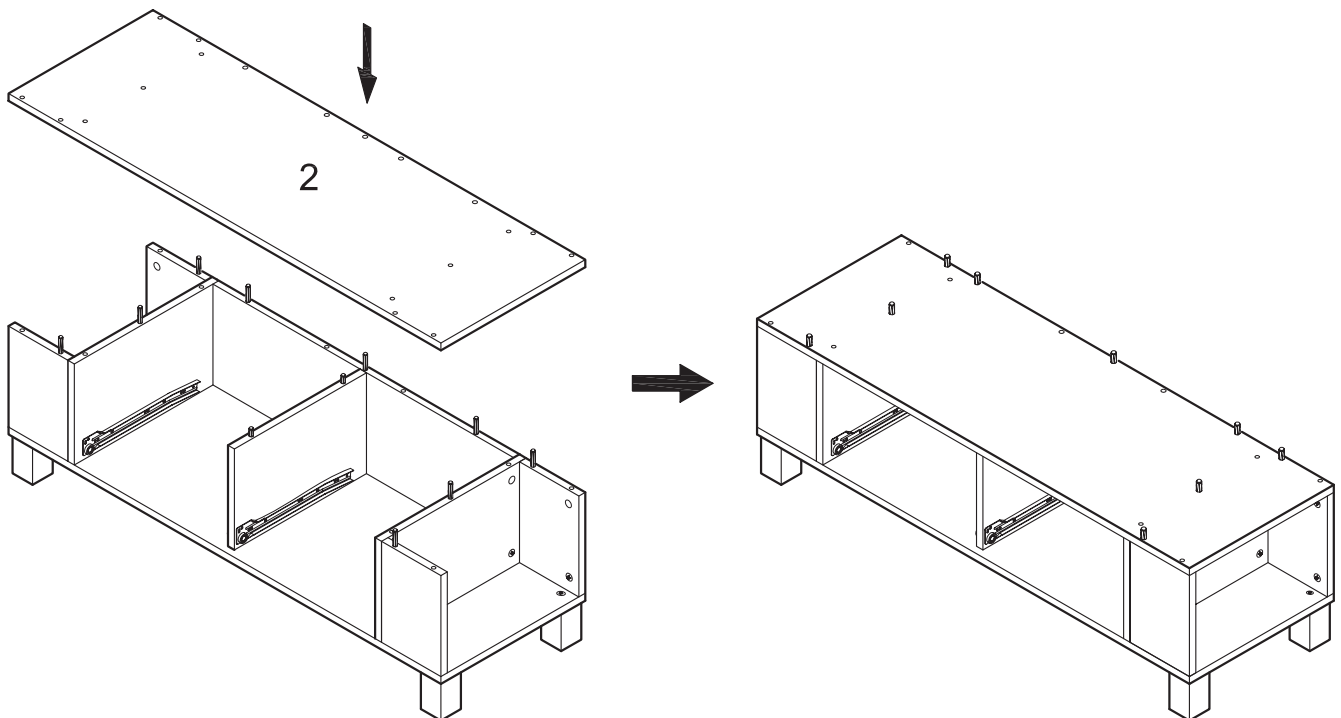
Carefully slide back panel (10) into place at the back of the stand assembly. Use cam bolts and dowels as guides.

Step 9



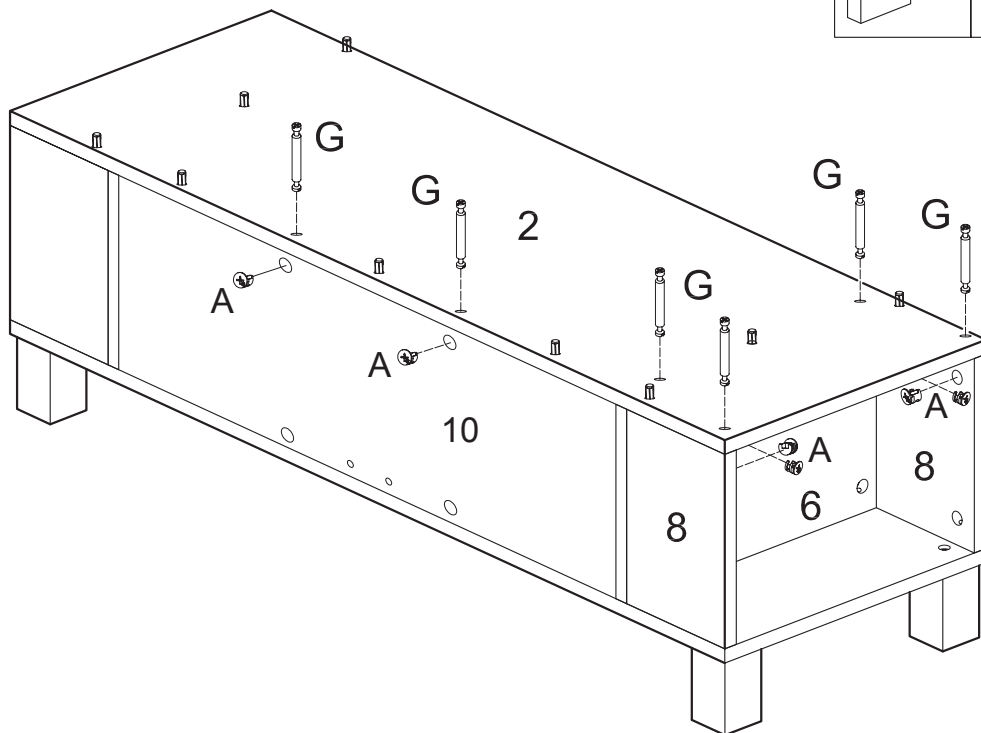
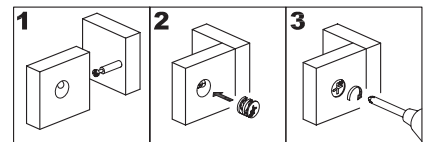
Insert cam locks (A) into back panel (10) and tighten with a screwdriver. Insert long dowels (H) into panels (6,7,8) and back panel (10).

Step 10



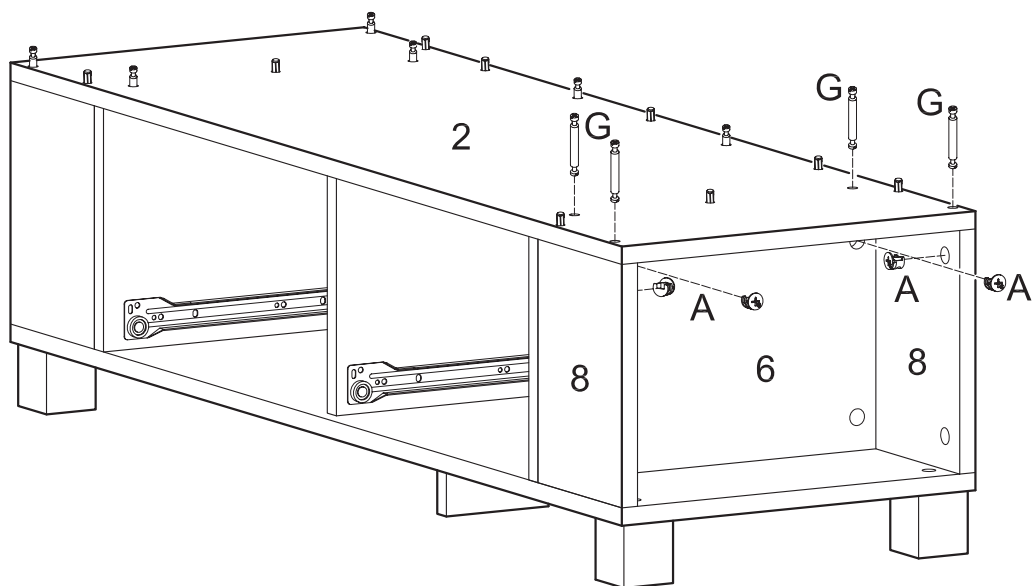
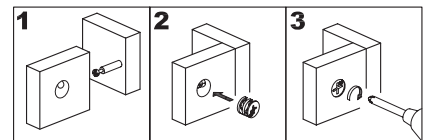
Carefully slide middle panel (2) into place on stand assembly. Use dowels as guides.

Step 11



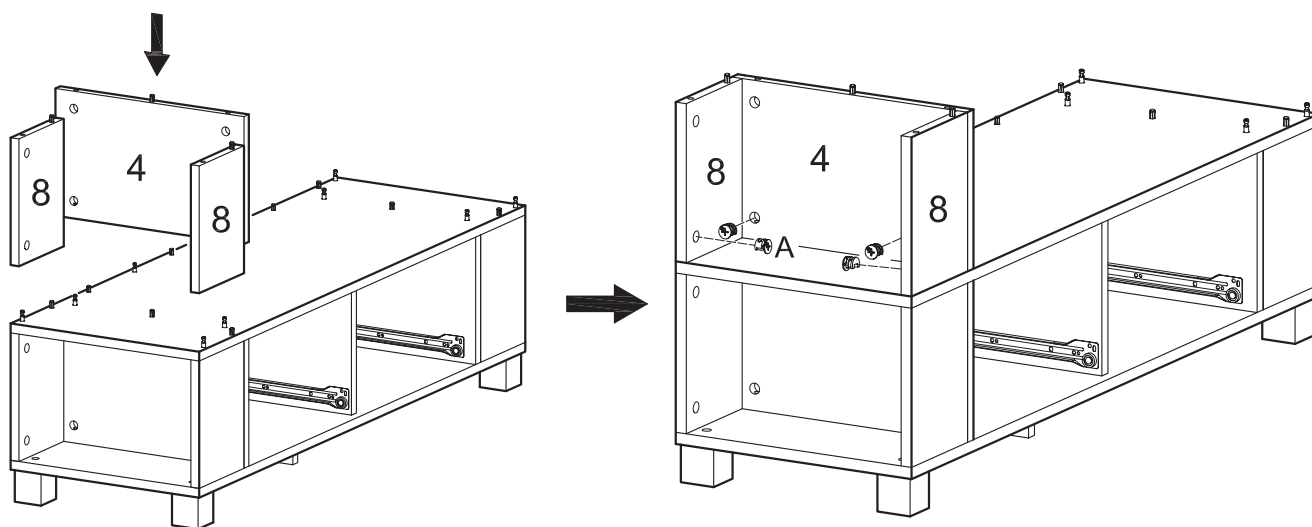
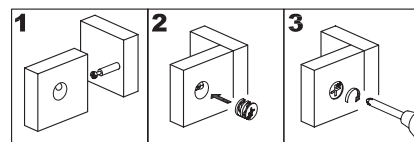
Insert long cam bolts (G) into middle panel (2). Insert large cam locks (A) into panels (6,8) and back panel (10). Tighten with a screwdriver to secure middle panel (2).

Step 12



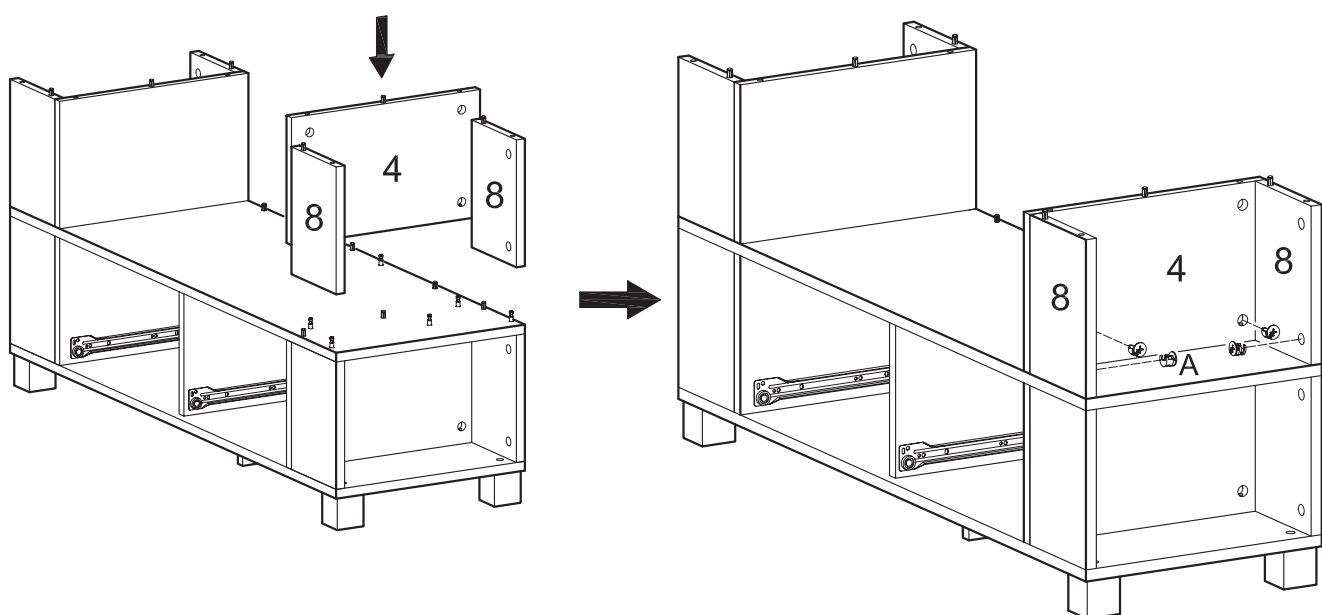
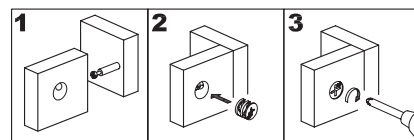
On opposite end of stand assembly, insert long cam bolts (G) into middle panel (2). Insert large cam locks (A) into panels (7,8) and tighten with a screwdriver.

Step 13



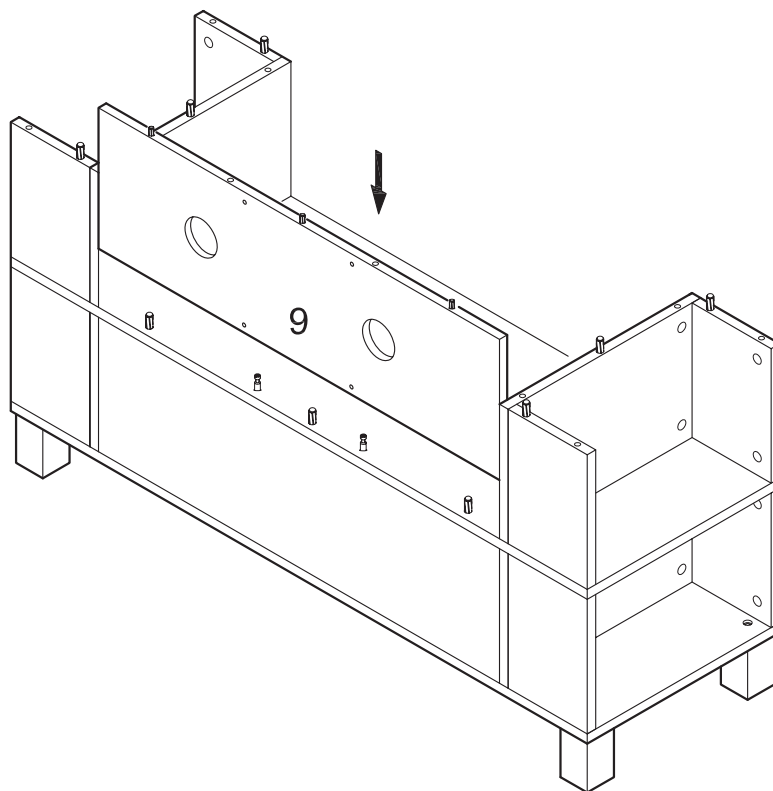
Attach panels (4,8) to the stand assembly using cam bolts and dowels as guides. Insert large cam locks (A) into panels (4,8) and tighten with a screwdriver.

Step 14



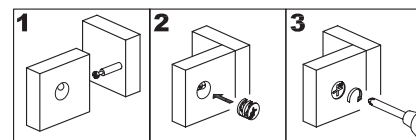
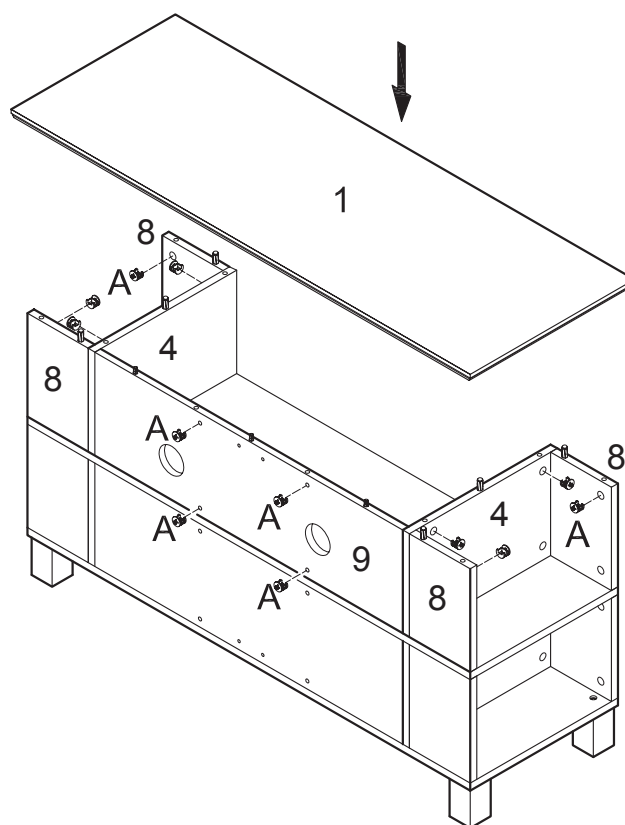
Attach the second set of panels (4,8) to the opposite end of the stand assembly using cam bolts and dowels as guides. Insert large cam locks (A) into panels (4,8) and tighten with a screwdriver.

Step 15



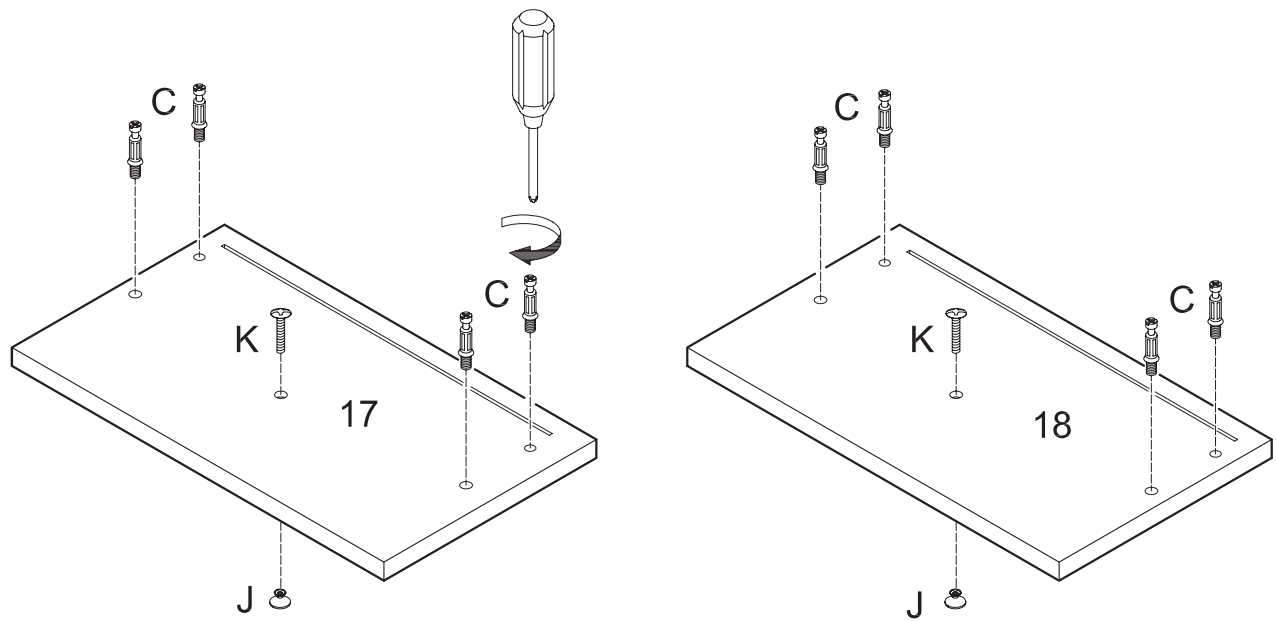
Carefully slide back panel (9) into place at the back of the stand assembly. Use cam bolts and dowels as guides.

Step 16



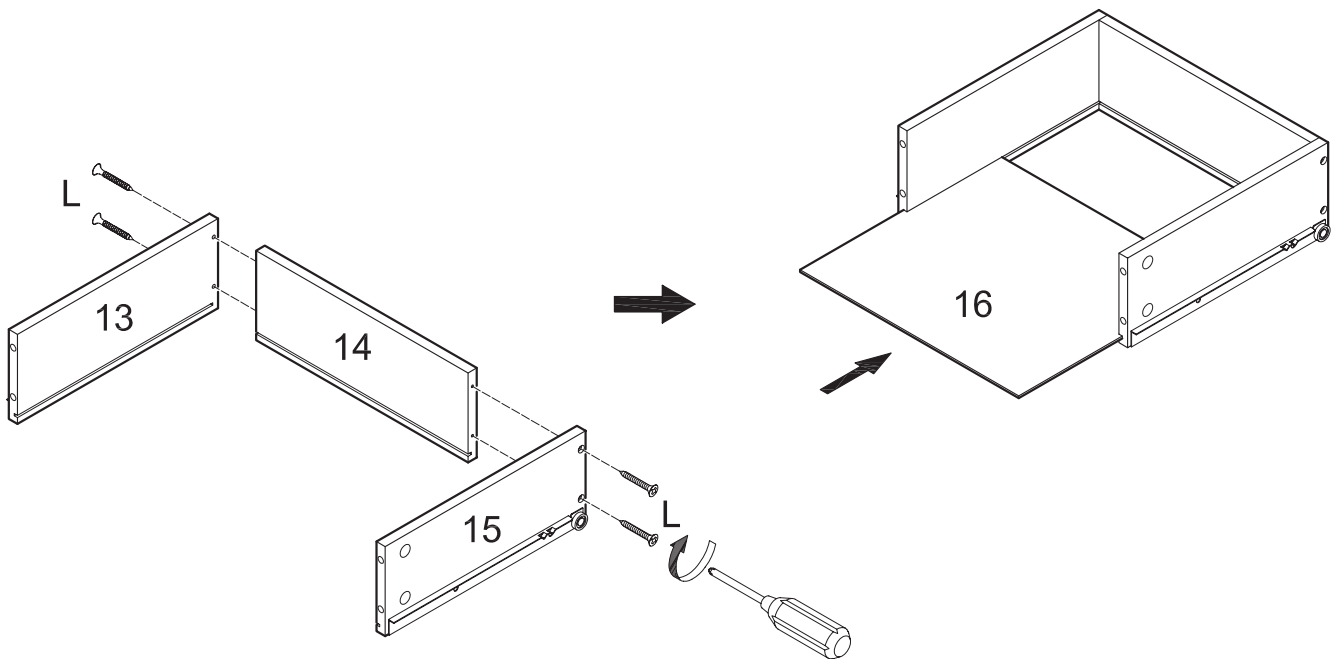
Insert large cam locks (A) into panels (4,8) and back panel (9). Attach stand top (1) to the stand assembly using cam bolts and dowels as guides. Tighten large cam locks (A) with a screwdriver.

Step 17



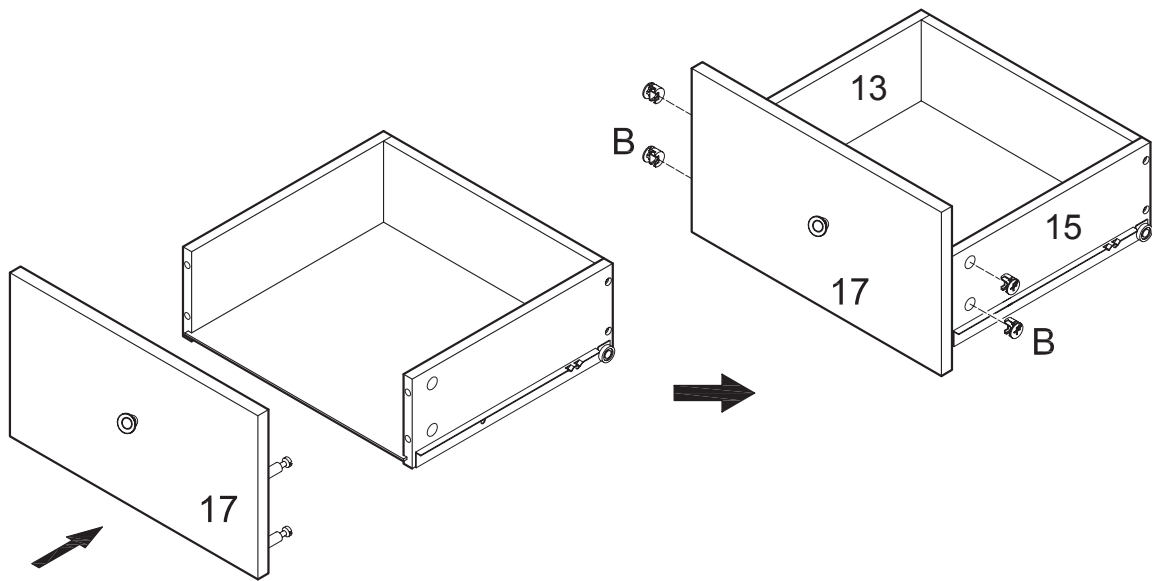
Screw short cam bolts (C) into drawer fronts (17,18). Attach handles (J) to drawer fronts (17,18) using small bolts (K).

Step 18



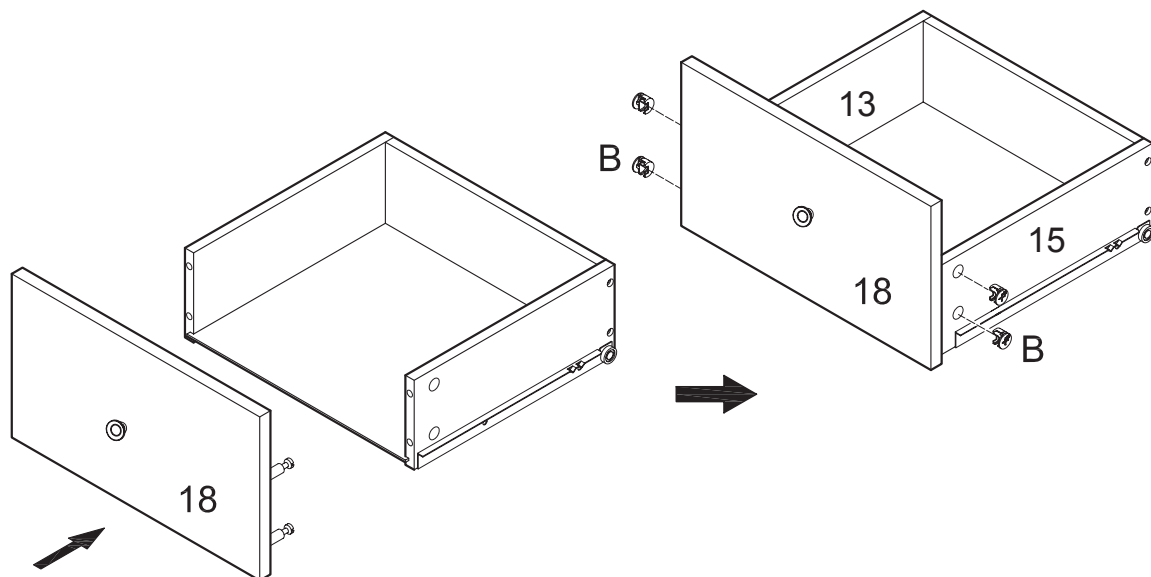
Attach drawer sides (13,15) to drawer back (14) using screws (L). Slide drawer bottom (16) into place along the grooves of the drawer assembly. Repeat this step for the second drawer.

Step 19



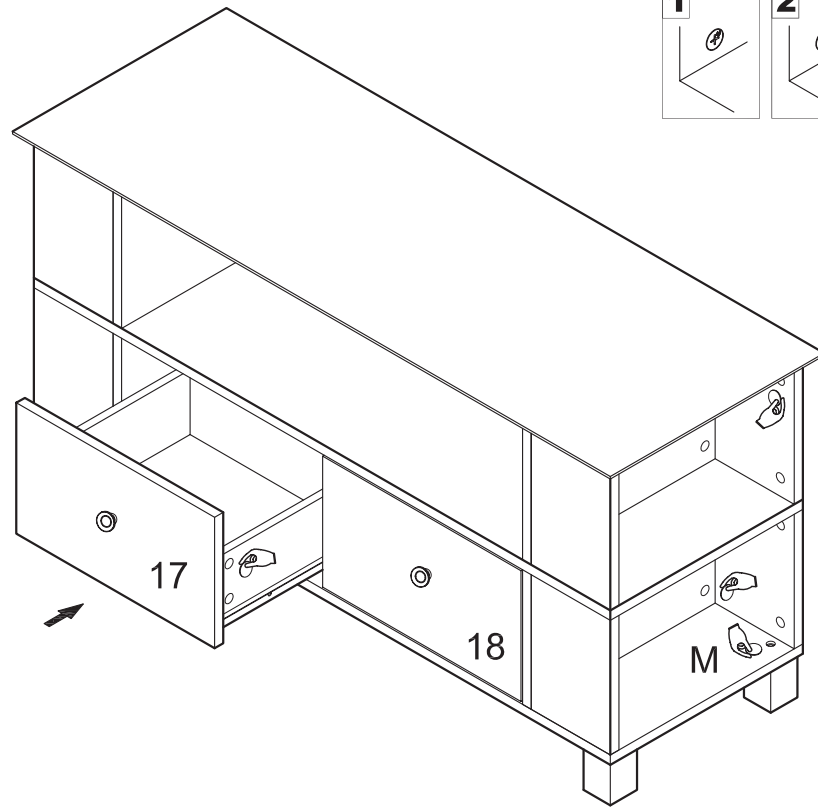
Attach drawer front (17) to the first drawer assembly using cam bolts as guides. Insert small cam locks (B) into drawer sides (13,15) and tighten with a screwdriver.

Step 20



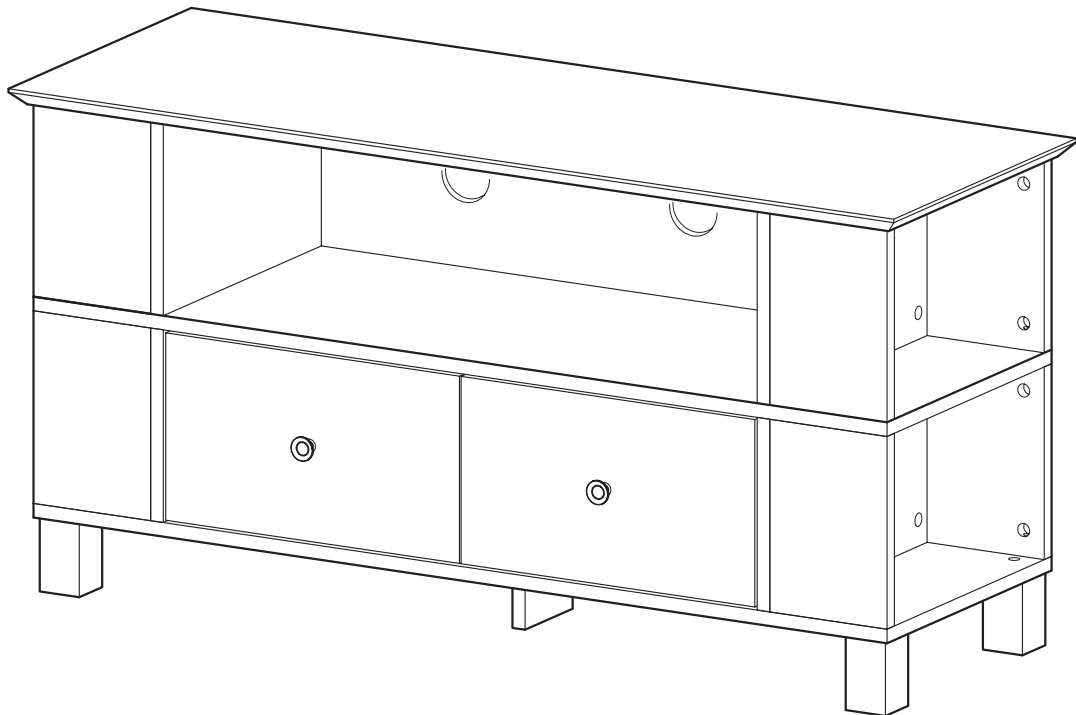
Attach drawer front (18) to the second drawer assembly using cam bolts as guides. Insert small cam locks (B) into drawer sides (13,15) and tighten with a screwdriver.

Step 21



Carefully slide drawers into the stand assembly. Cover all visible cam locks with stickers (M) as desired.

Step 22



Final Assembly