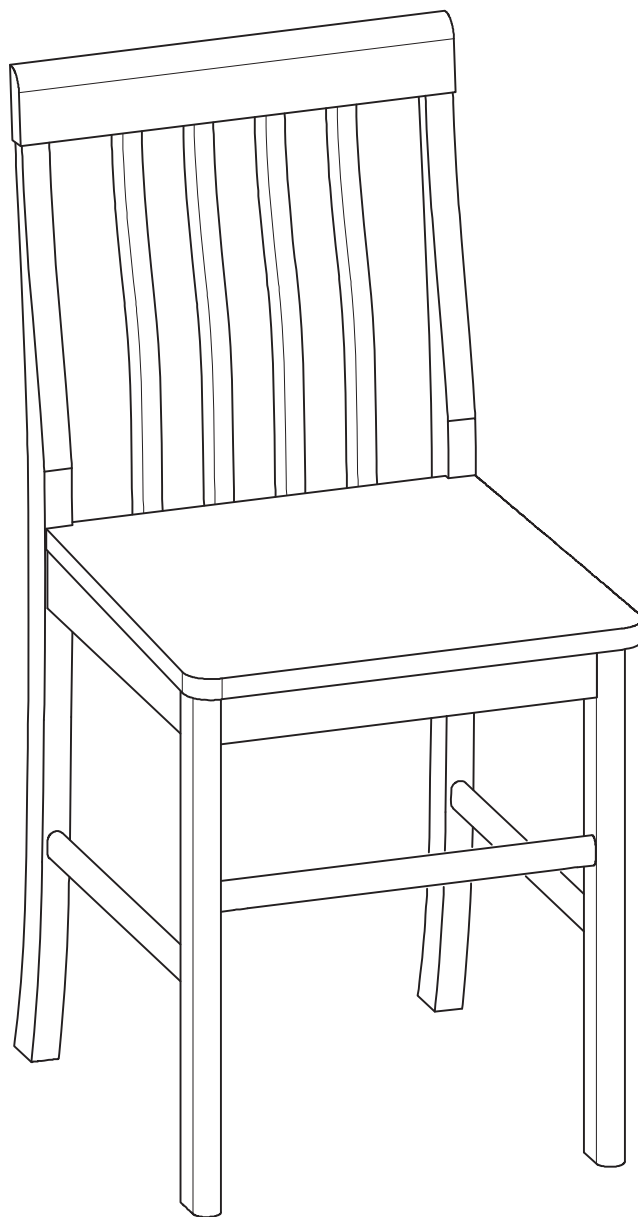


W Walker
Edison
furniture company

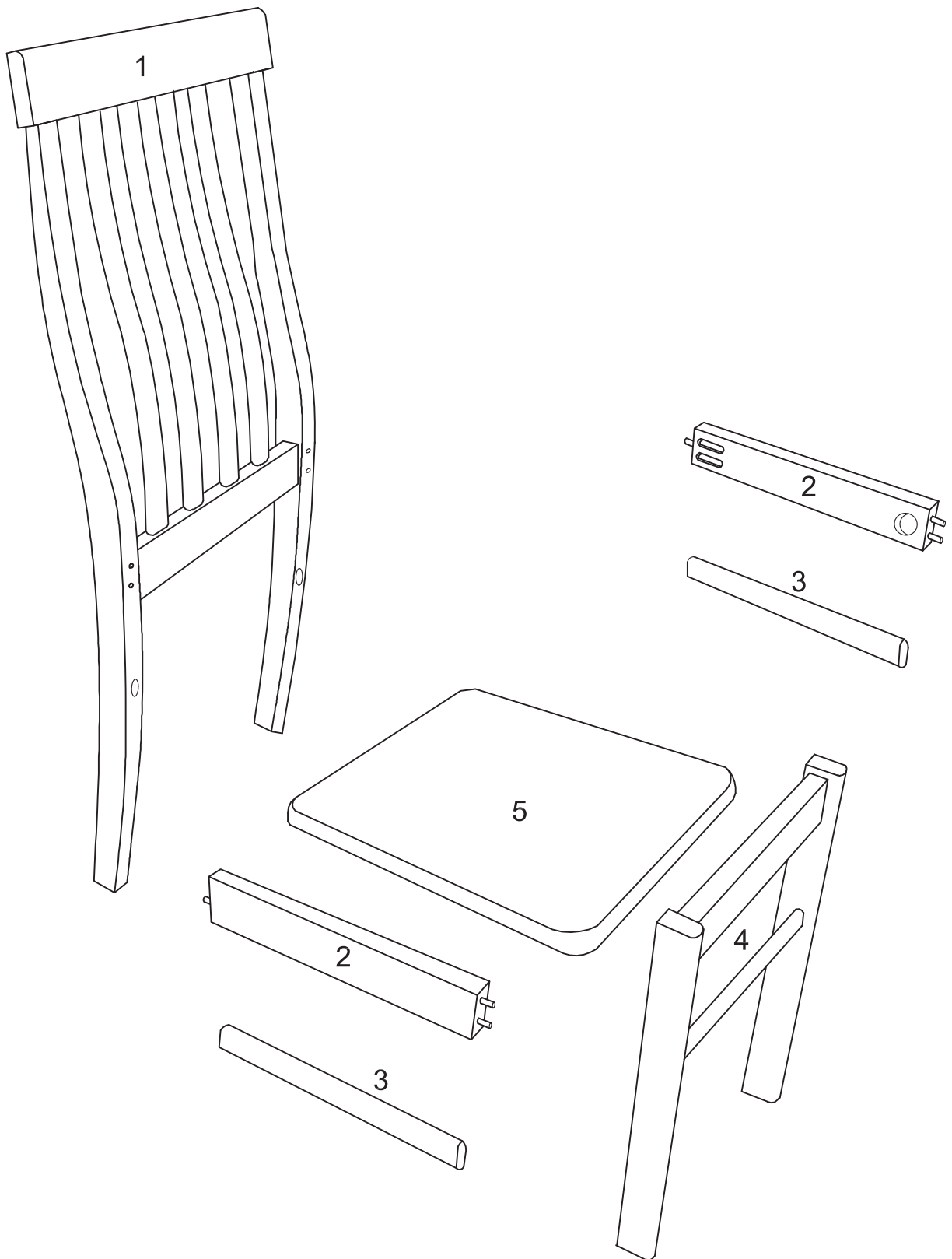
Item #: CHWN
Assembly Instructions




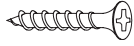

For our most current instructions, to request missing, lost or broken parts, or for any other Customer Service issues, please visit our website at www.walker-edison.com or call us at 877-207-5906.

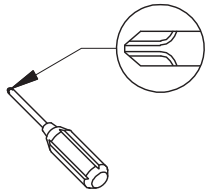
Revised 09/2011

Parts List



Hardware List

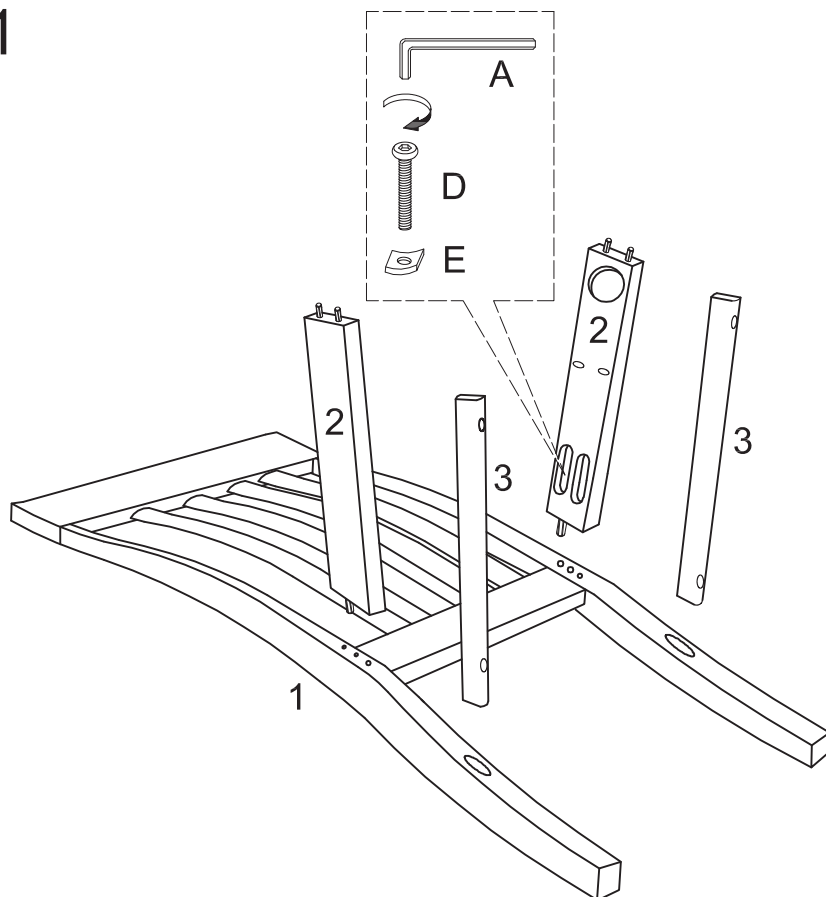
A		Wrench	1 pc
B		Screw	4 pcs
C		Screw	4 pcs
D		Bolt	6 pcs
E		Bend washer	4 pcs
F		Bend washer	2 pcs



Phillips head screwdriver required for assembly
(not included)

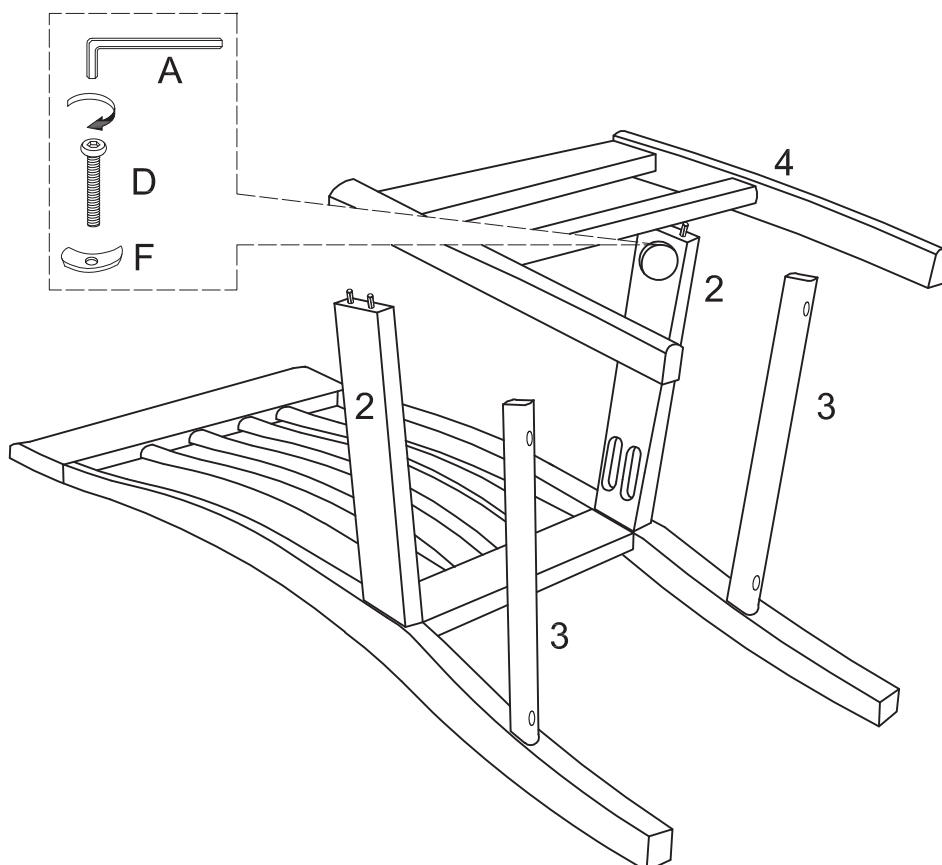
*The hardware quantities listed above are required for proper assembly.
Some extra hardware may also have been included.*

Step 1



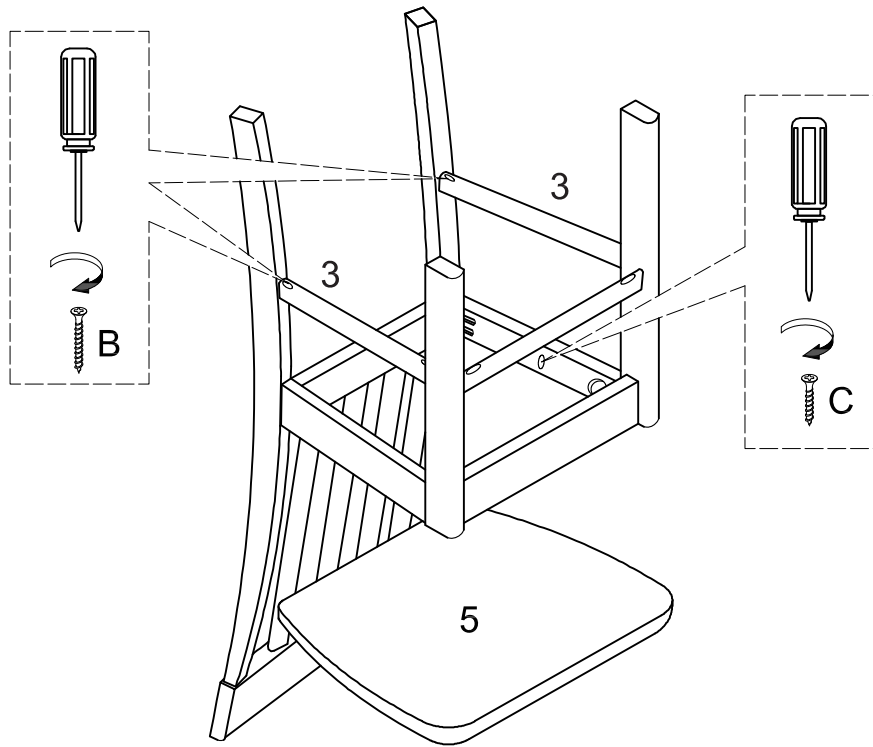
Attach slats (2) to chair back (1) using bolts (D) with bend washers (E). Tighten bolts (D) with wrench (A). Insert slats (3) into chair back (1). Repeat this step for each chair.

Step 2



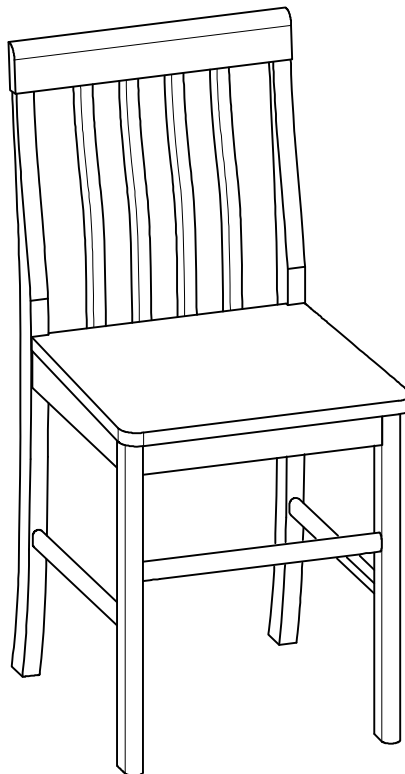
Insert slats (3) into chair leg (4). Attach slats (2) to chair leg (4) using bolts (D) with bend washers (F). Tighten bolts (D) with wrench (A). Repeat this step for each chair.

Step 3



Carefully invert chair on a flat surface such as a table or counter top. Slide chair seat (5) under the inverted chair and secure to the chair using screws (C). *The pre-drilled holes of chair seat (5) are for manufacturing purposes only. Screws (C) will screw directly into the solid wood of chair seat (5) at chair back (1), slats (2) and chair leg (4).* Secure slats (3) in place using screws (B). Screws (B) will be screw into both ends of each slat (3). Repeat this step for each chair.

Step 4



Final Assembly