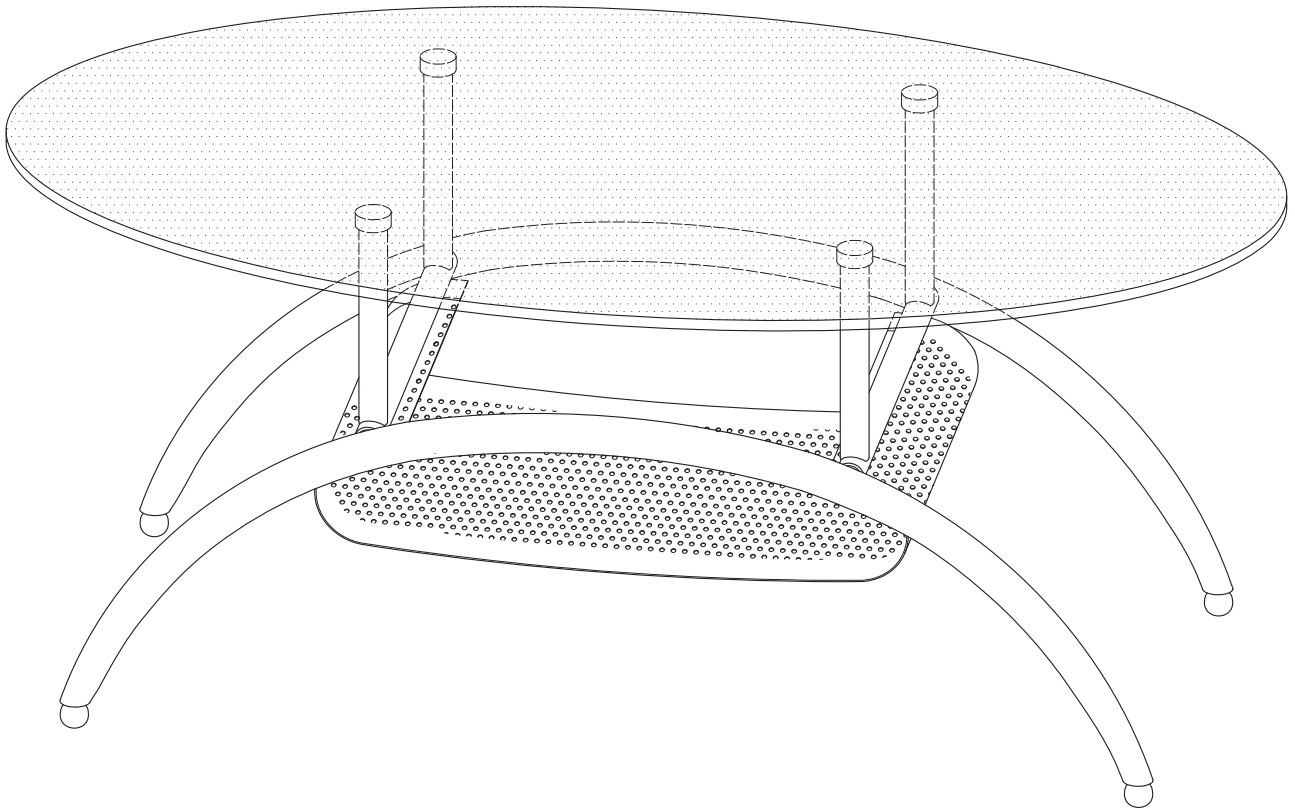


W Walker
E Edison
furniture company

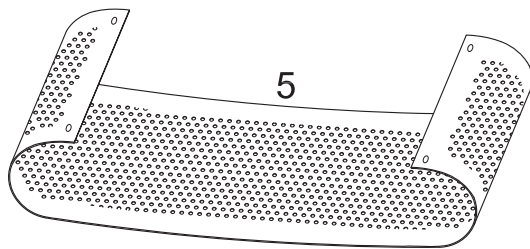
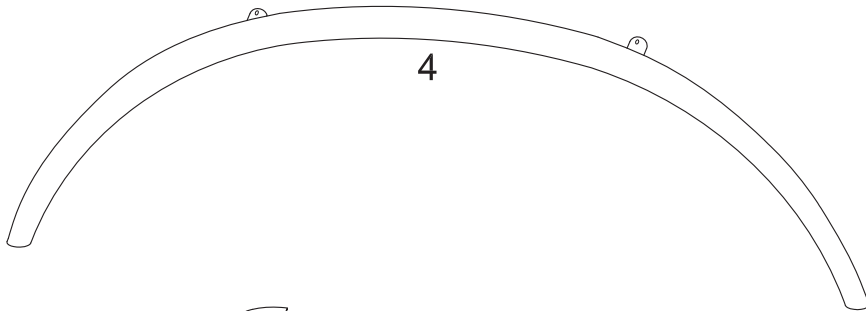
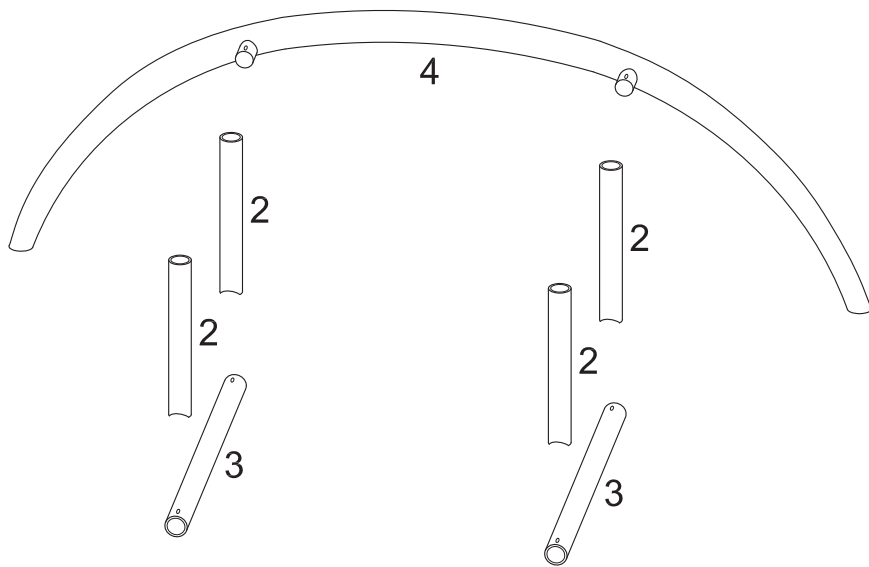
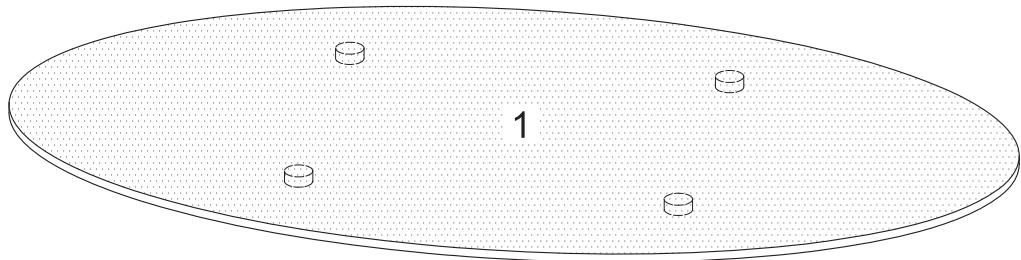
Item #: C42BM
Assembly Instructions








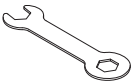
For our most current instructions, to request missing, lost or broken parts, or for any other Customer Service issues, please visit our website at www.walker-edison.com or call us at 877-207-5906.

Revised 03/2012

Parts List

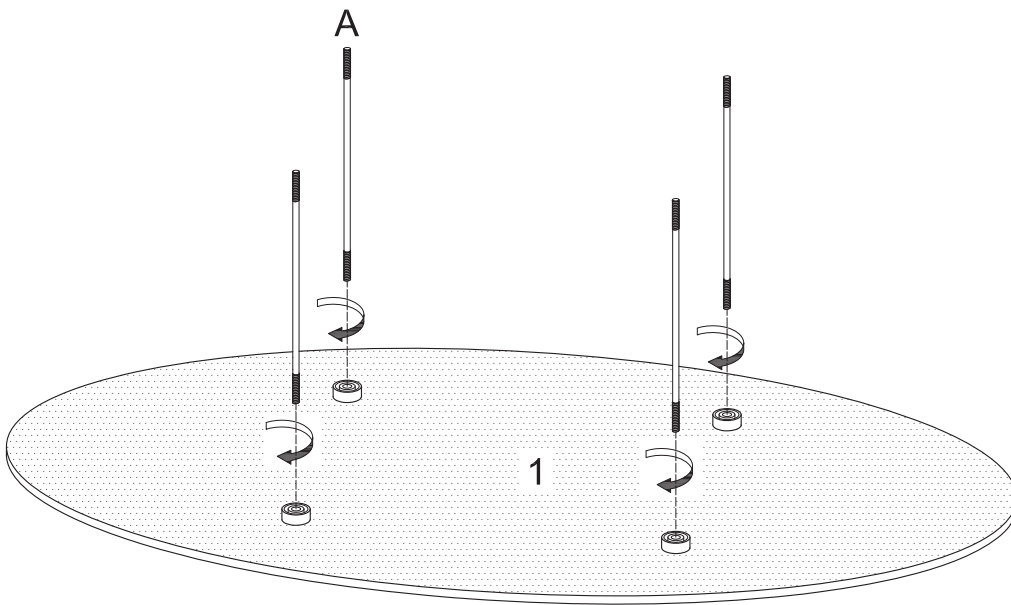


Hardware List

A		Long rod	4 pcs
B		Short rod	4 pcs
C		Foot	4 pcs
D		Nut	4 pcs
E		Washer	4 pcs
F		Wrench	1 pc

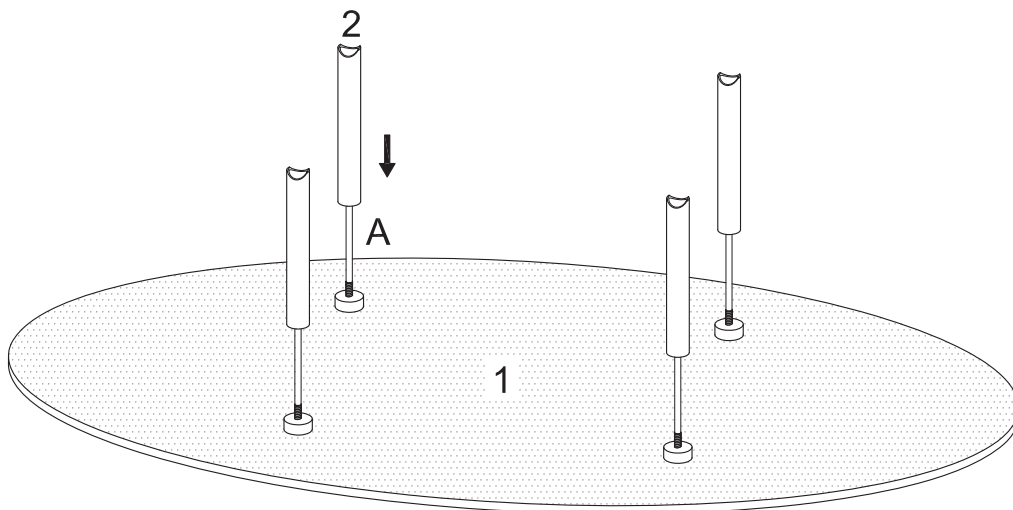
*The hardware quantities listed above are required for proper assembly.
Some extra hardware may also have been included.*

Step 1



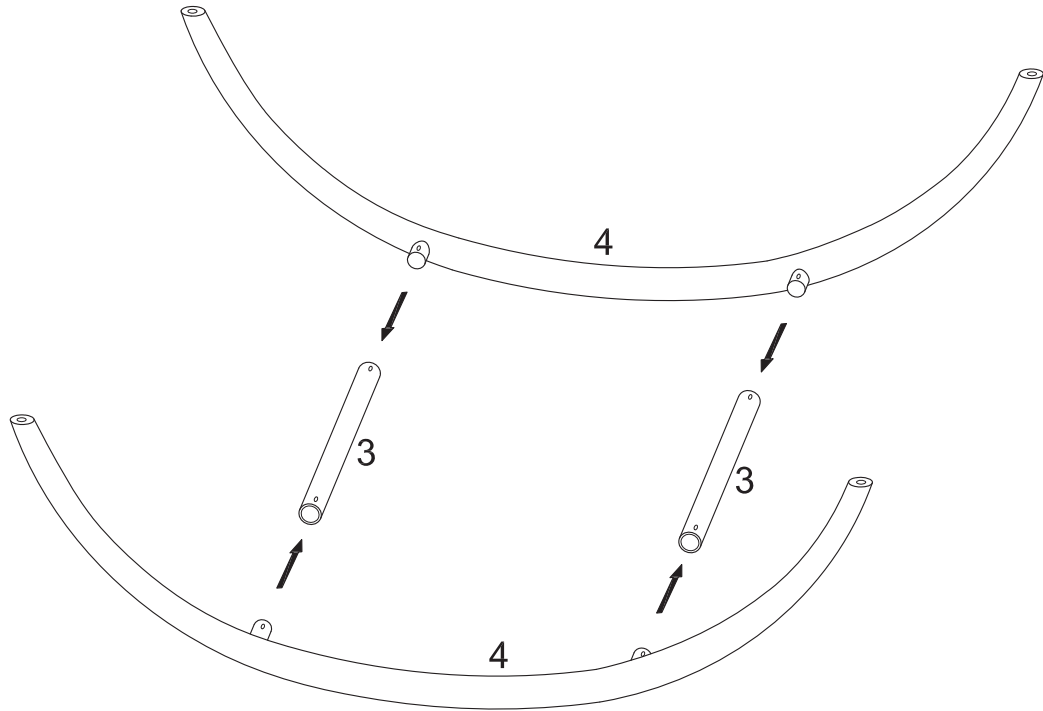
Carefully lay glass (1) up-side-down on a soft surface. Screw long rods (A) into plates of glass (1). Screw short rods (B) into feet (C).

Step 2



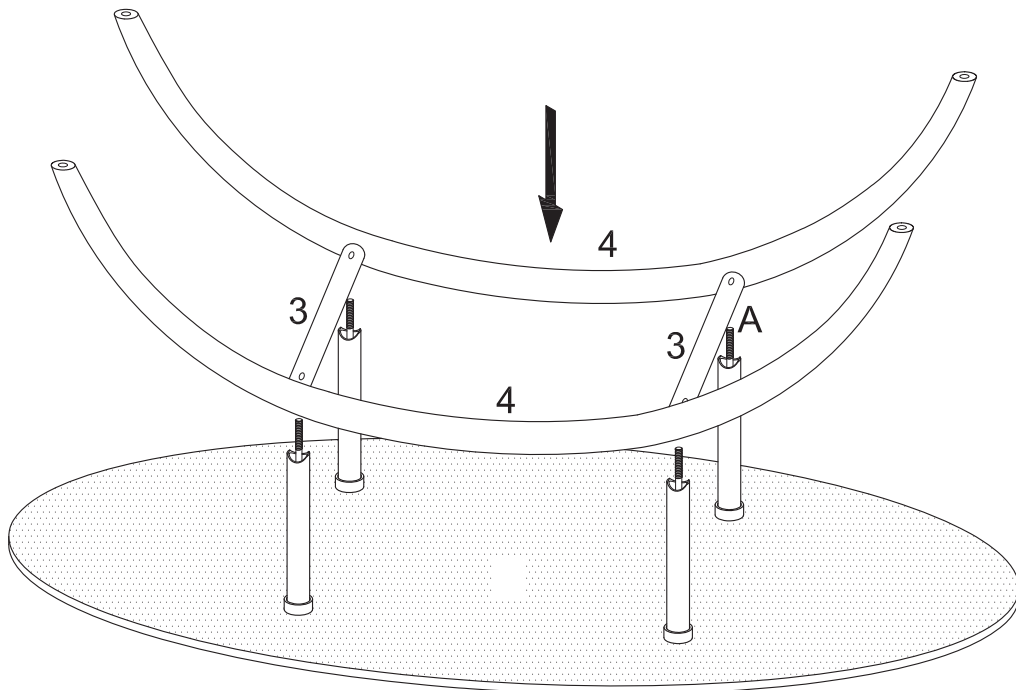
Slide cylinders (2) onto long rods (A). *Insure that the curved end of each cylinder (2) is facing up as shown above.*

Step 3



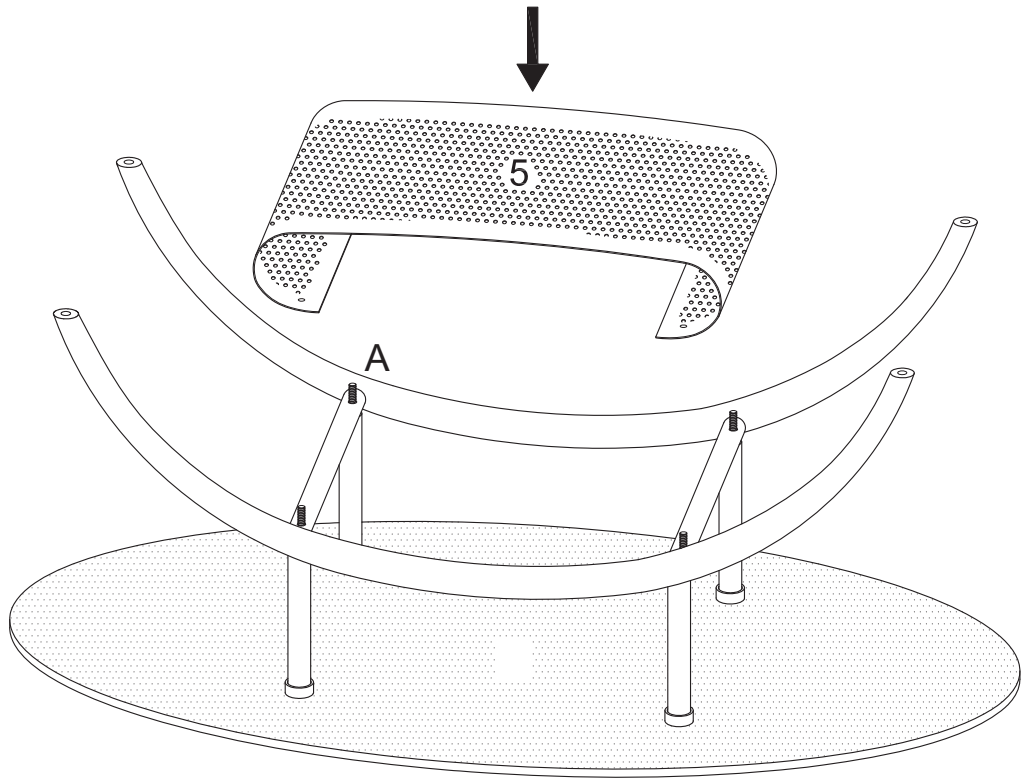
Insert legs (4) into crossbars (3). Note that it is important for the holes of legs (4) to align with the holes of crossbars (3).

Step 4



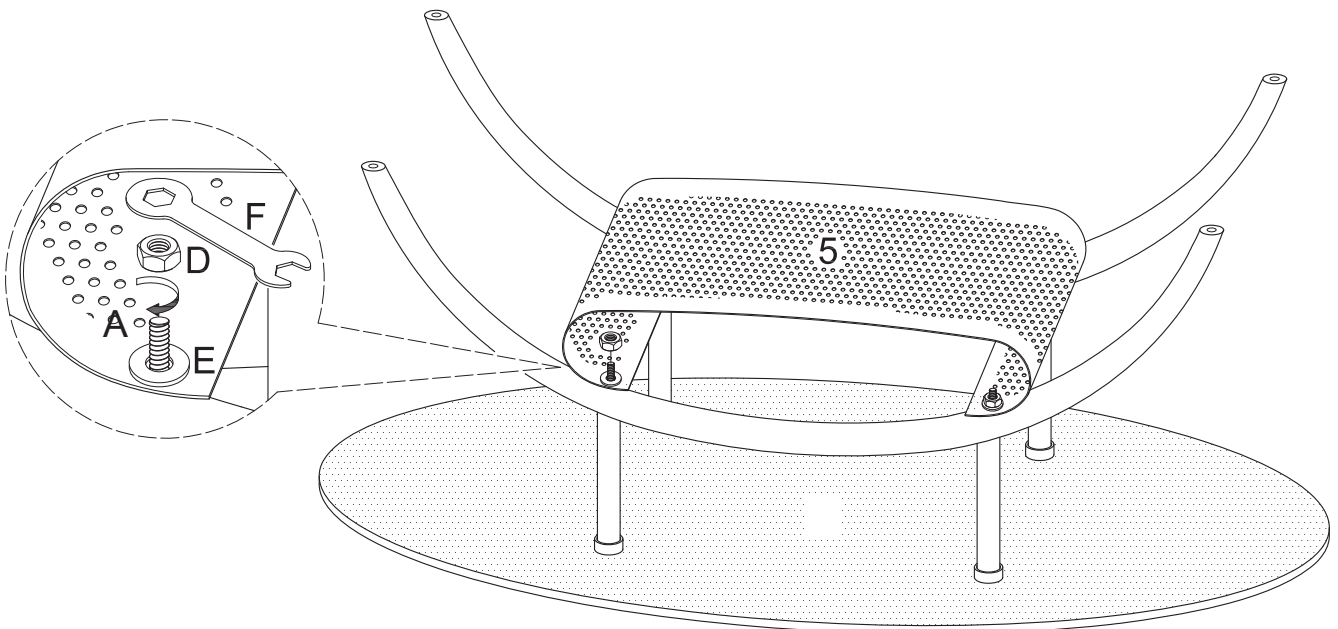
Slide the leg assembly from the previous step onto long rods (A).

Step 5



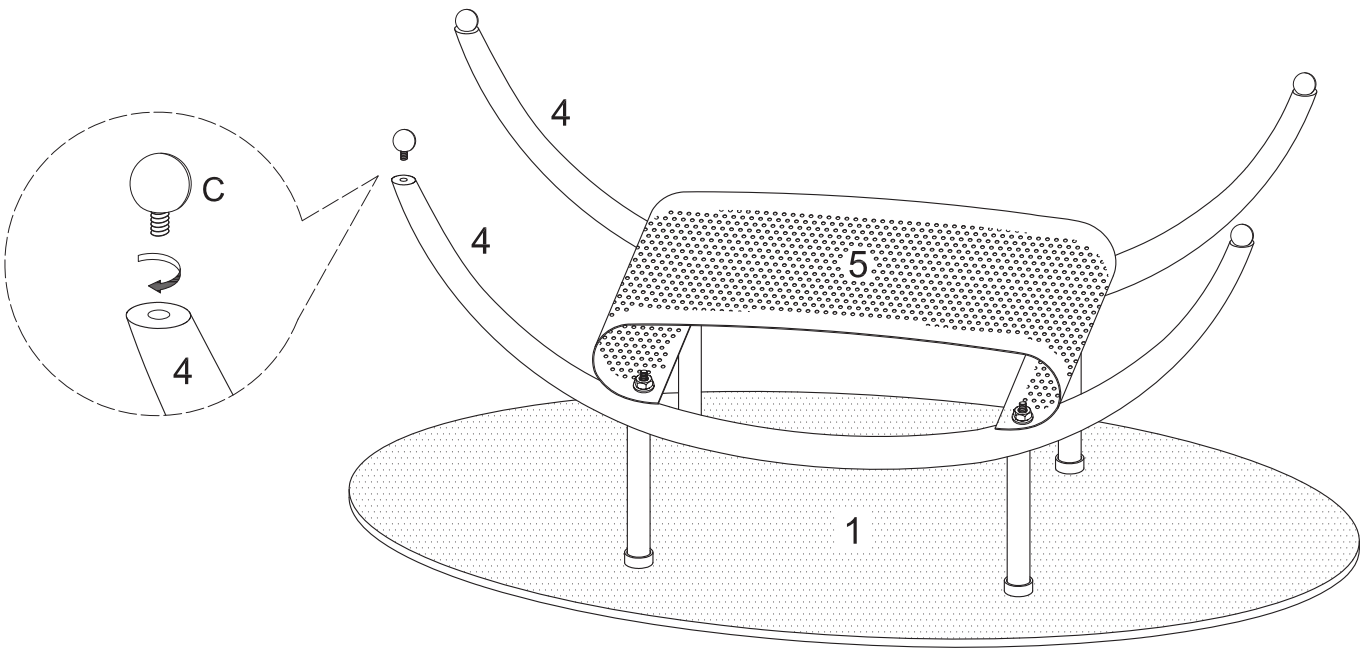
Place mesh basket (5) onto long rods (A).

Step 6



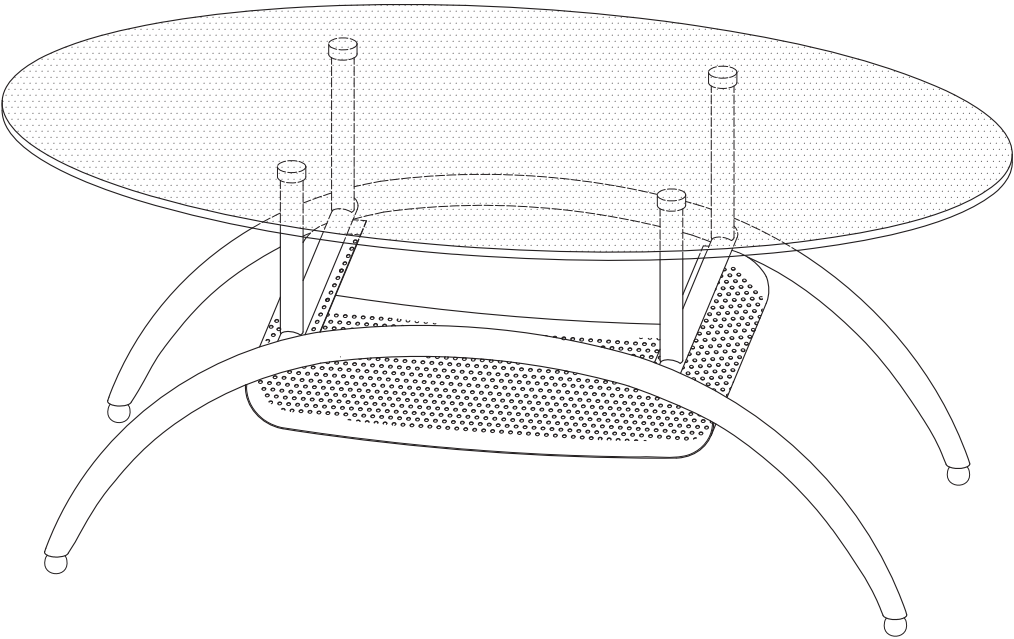
Secure mesh basket (5) by screwing nuts (D) with washers (E) onto long rods (A). Tighten nuts (D) with wrench (F).

Step 7



Screw feet (C) into legs (4).

Step 8



Final Assembly