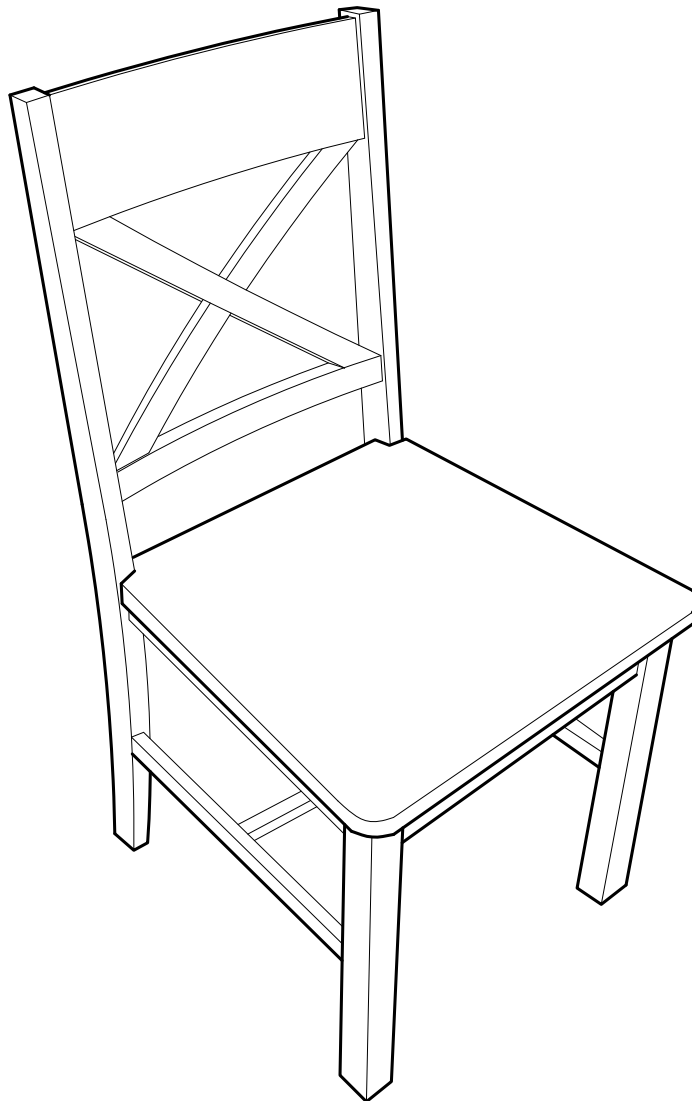


W Walker
E Edison
furniture company

ITEM # : CHW
ASSEMBLY INSTRUCTION

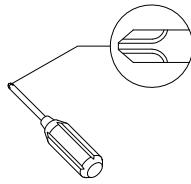


For our most up-to-date instructions, to request missing, lost, or broken parts, or for any other Customer Service issues, please visit our website at www.walkerredison.com or call us at 877-207-5906.

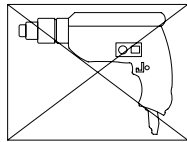
Revised 03/2012

General Assembly Guidelines

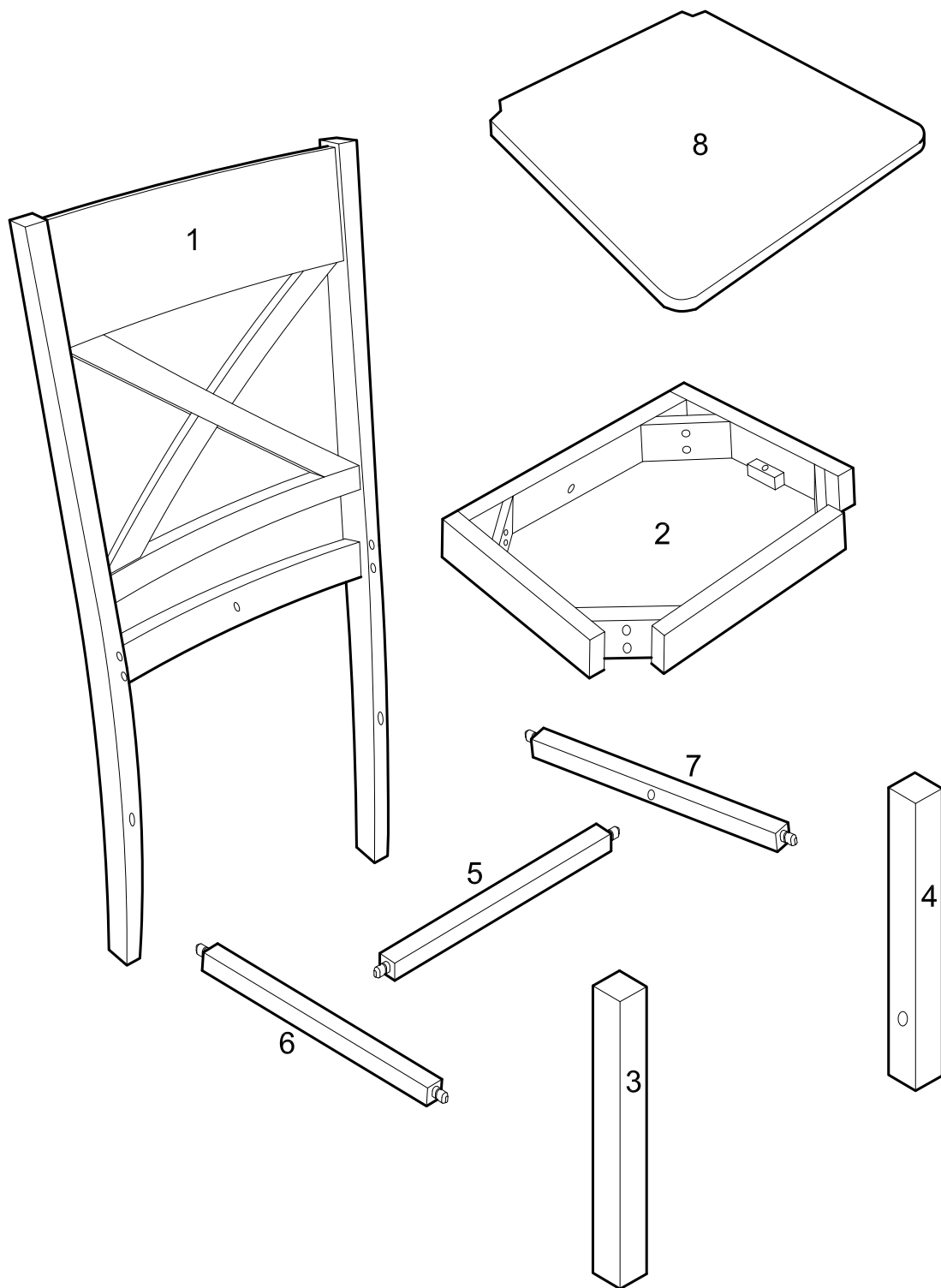
- I. Insure that all parts and hardware are available before beginning assembly.
- II. Follow each step carefully to insure the proper assembly of this product.
- III. Two people are recommended for ease in the assembly of this product.
- IV. The main types of hardware used to assemble this product are bolts, washers and screws.
- V. A Phillips head screwdriver is required for the assembly of this product.





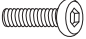





- VI. Power tools should not be used to assemble this product.



Parts List

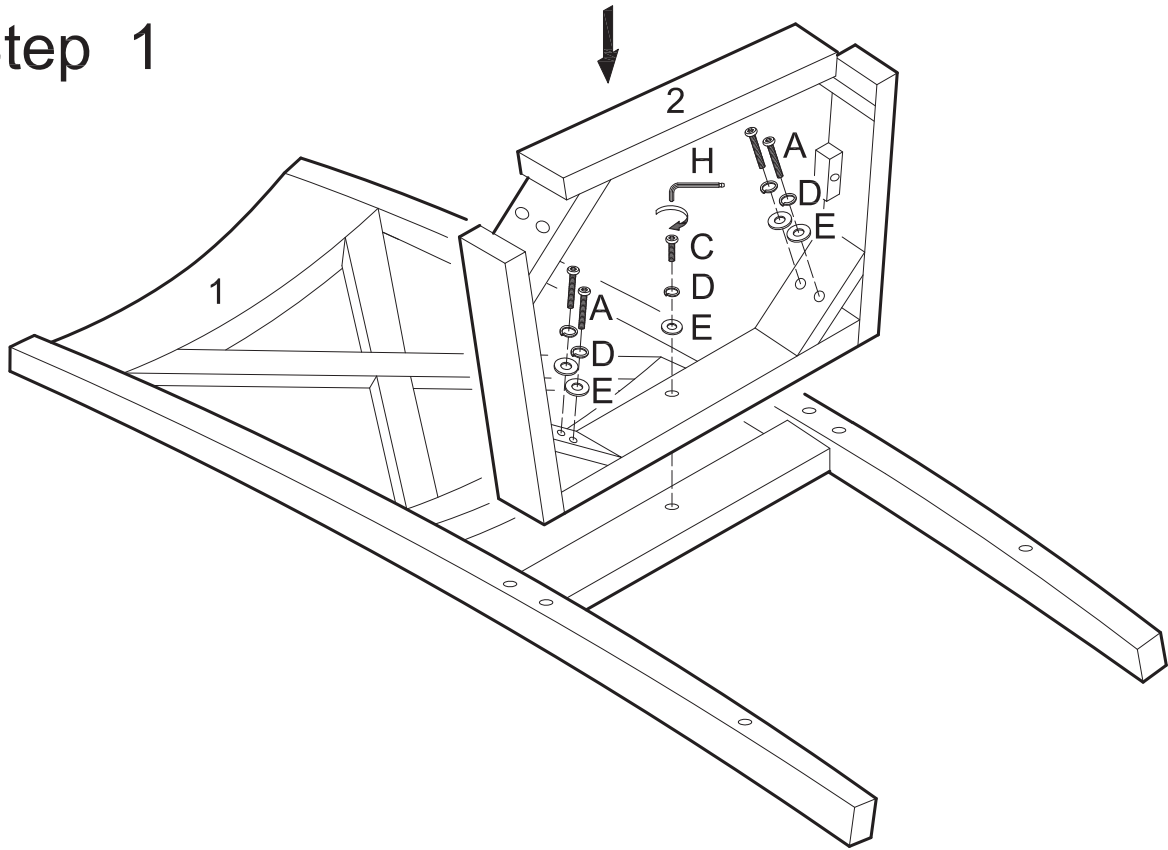


Hardware List

A		M6*80(mm)	Bolt	4 pcs
B		M6*60(mm)	Bolt	4 pcs
C		M6*35(mm)	Bolt	1 pc
D		Ø1/4"	Spring washer	9 pcs
E		Ø1/4"	Washer	9 pcs
F		Ø4*38(mm)	Screw	4 pcs
G		Ø4*32(mm)	Screw	6 pcs
H		M4(mm)	Wrench	1 pc

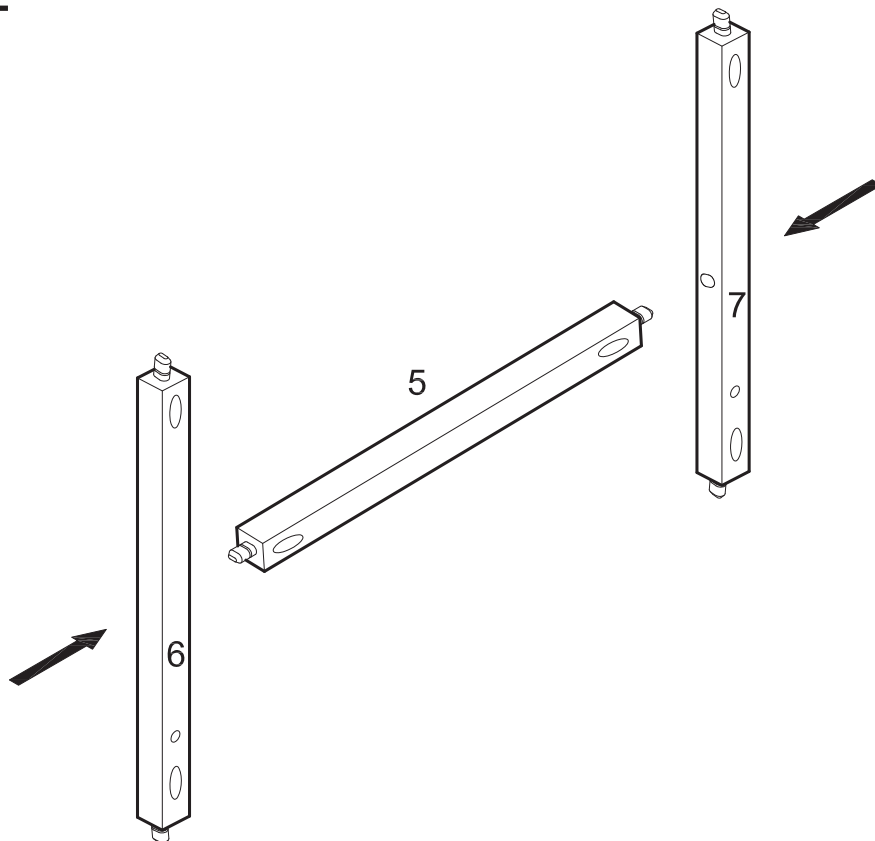
*The hardware quantities listed above are required for proper assembly.
Some extra hardware may also have been included.*

Step 1



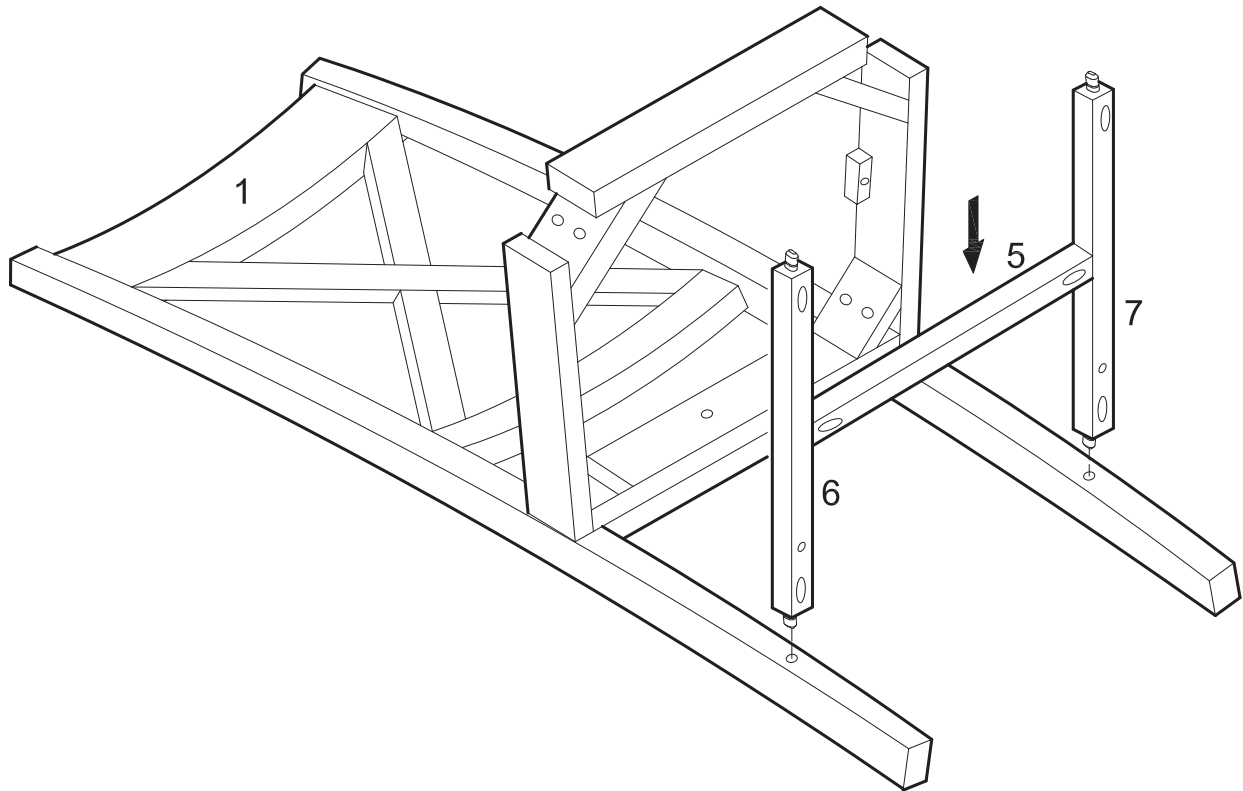
Attach seat frame (2) to chair back (1) using bolt (C), spring washer (D) and washer (E) at the center point and bolts (A), spring washers (D) and washers (E) in the corners. Tighten all bolts (A,C) with wrench (H).

Step 2



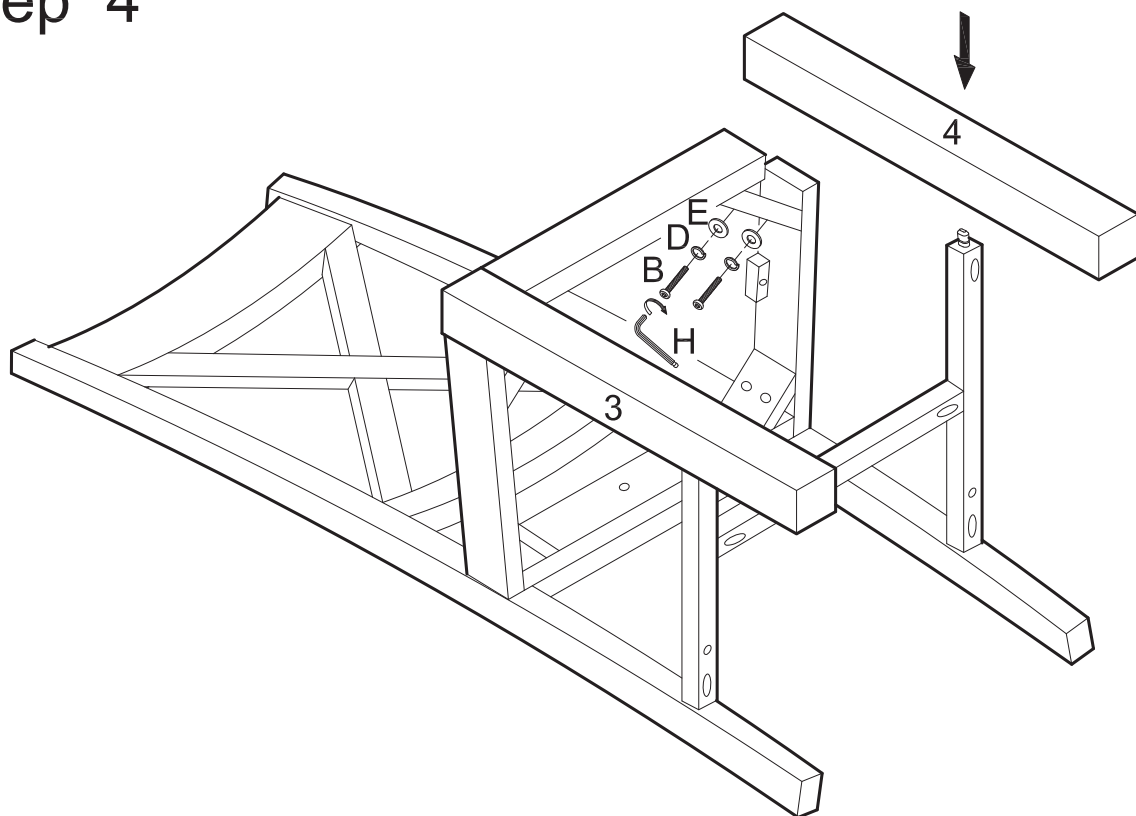
Attach crossbars (6,7) to crossbar (5) using dowels as guides.

Step 3



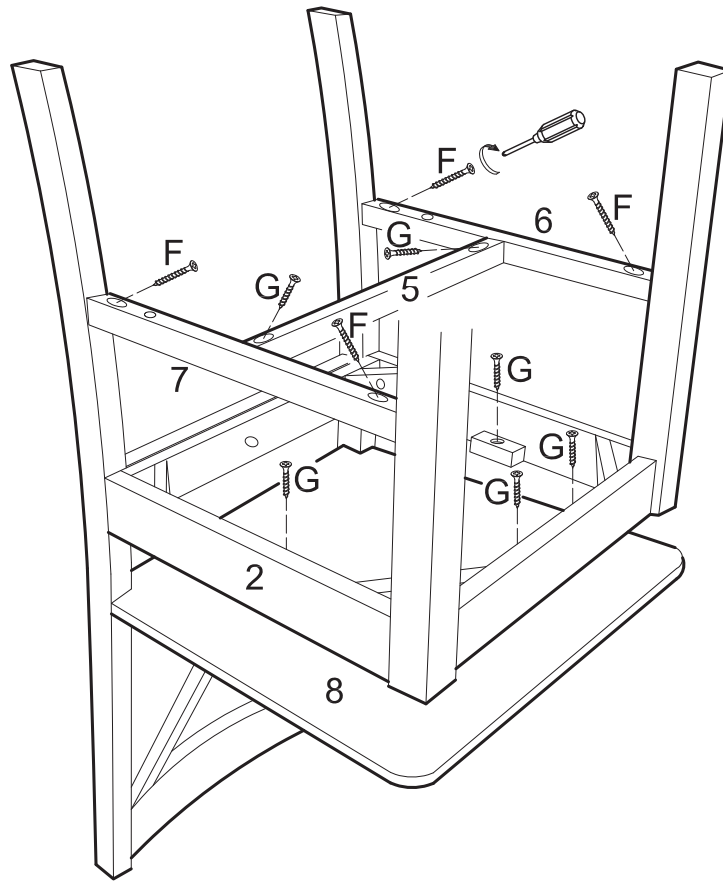
Attach crossbars (6,7) with crossbar (5) to chair back (1) using dowels as guides.

Step 4



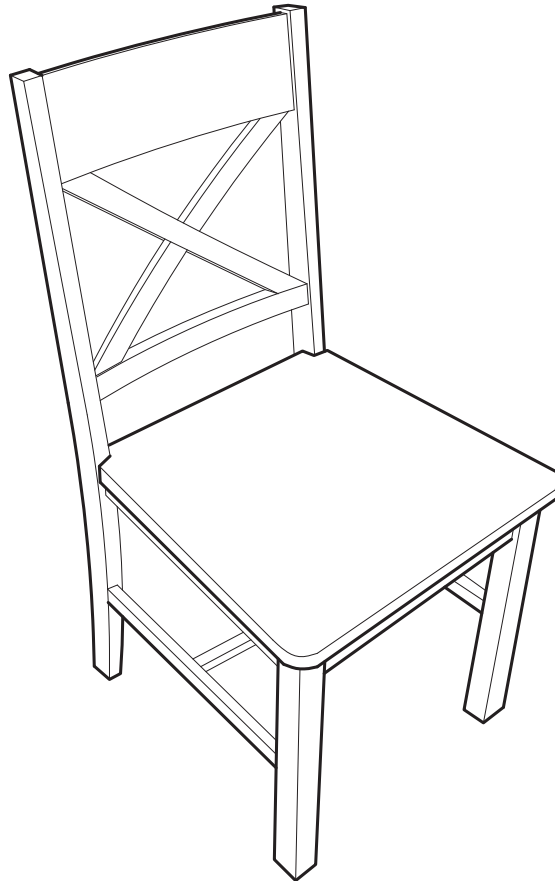
Attach legs (3,4) to the chair assembly using bolts (B), spring washers (D) and washers (E). Tighten all bolts (B) with wrench (H).

Step 5



Secure crossbar (5) to crossbars (6,7) using screws (G). Secure crossbars (6,7) to chair legs using screws (F). Attach seat (8) to seat frame (2) using screws (G).

Step 6



Final Assembly