



Weblink
139

Albert-Ludwig University, Freiburg, Germany. Architect: Klaus Max Rippl, Harter+Kanzler & Broghammer+Jana+Wohleber. Photo: Bent Ryberg/Planet

Design
Arne Jacobsen

Concept
AJ Table creates direct and angled illumination. The lighting characteristics make it suitable when placed in a situation where distinct and directed illumination is required.

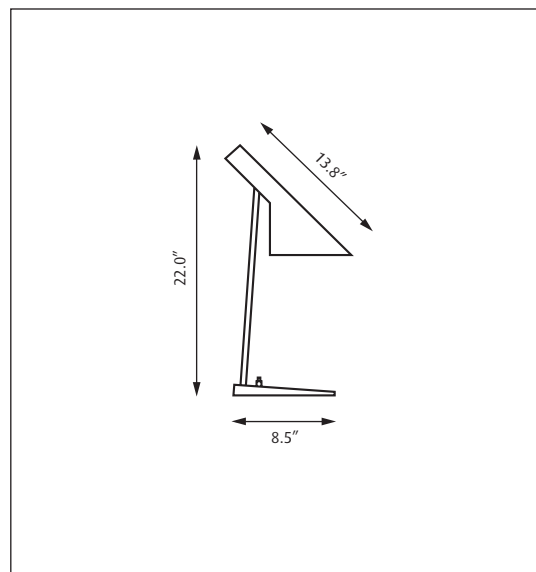
Finish
White, graphite grey or black, wet painted.

Material
Base: Die cast zinc. Shade: Spun steel. Stem: Steel.

Mounting
Cord type: Black. Cord length: 8'. Switch: On/off switch located in the base.

Weight
Max. 6 lbs.

Label
cUL, Dry location. IBEW.



Product code	Light source	Voltage	Finish
AJ-T	1/60W/A-19/IF medium	120V	BLK GRP GREY WHT

Info notes:
I. The comparable EU version has the following classification: Ingress Protection Code: IP20.

