



Weblink
119

Morrell Wine Bar. New York, New York, USA. Architect: Space Design. Photo: Thomas Loof Photography

Design
Poul Henningsen

Concept
PH 2/1 Pendant (1926) provides soft illumination. PH 2/1 is based on the principle of a reflecting multi-shade system, producing glare free illumination. The shades are drawn over a logarithmic spiral, with the center of the light source placed in the spiral's focal point.

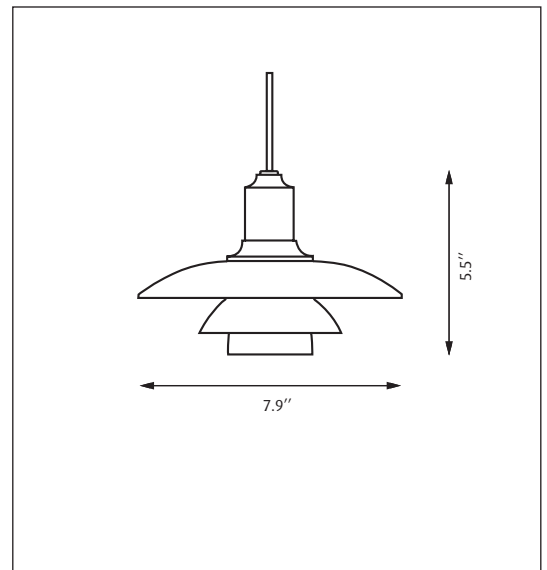
Finish
White opal glass. High lustre chrome plated.

Material
Shades: Handblown white opal glass. Suspension: High lustre chrome plated, spun aluminum.

Mounting
Canopy: White. Cord type: 3-conductor, 18 AWG black PVC power cord. Cord length: 12'.

Weight
Max. 3 lbs.

Label
cUL, Dry location. IBEW.



Product code	Light source	Voltage	Finish
PH2/1-P	1/40W/G16.5/IF candelabra	120V	GLASS

Info notes:
I. All handblown opal glass shades are sandblasted on the undersides for uniform light distribution.
II. The comparable EU version has the following classification: Ingress Protection Code: IP20.

