



Private residence. Photo: Kaslov Studio

Weblink
0

Design
Verner Panton

Concept
Panthella Table creates soft and diffuse illumination. The lighting characteristics makes it suitable for providing the space with general illumination, as well as fulfilling the task illumination requirements needed for reading.

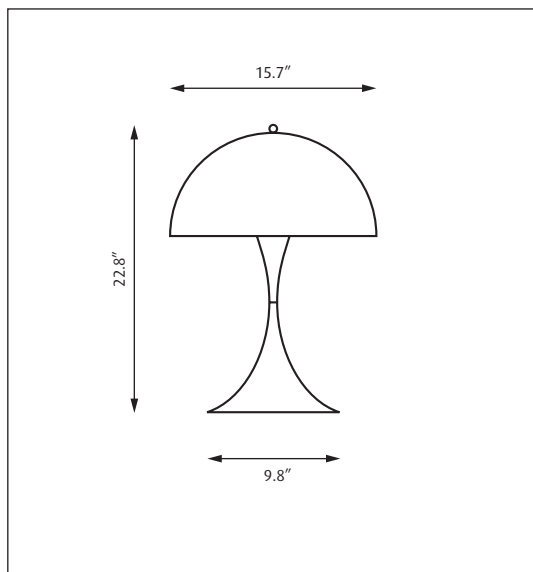
Finish
White opal acrylic.

Material
Base: White, injection molded ABS. Shade: Injection molded white opal acrylic. Housing: White, injection molded ABS.

Mounting
Cord type: White. Cord length: 9'. Switch: In-line on/off switch provided.

Weight
Max. 7.7 lbs.

Label
cUL, Dry location. IBEW.



Product code	Light source	Voltage	Finish
PAN-T	1/75W/A-19/IF medium	120V	WHT OPAL ACRYL

Info notes:
1. The comparable EU version has the following classification: Ingress Protection Code: IP20.

