

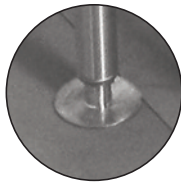
STAINLESS STEEL SOLID SURFACE TABLE BASES

Features:

- 12 Gauge, Type 304 Stainless Steel
- Unit allows any solid surface material to be mounted to base (Top supplied by others)
- 3" stainless steel apron on all four sides
- 1-5/8" dia. tubular stainless steel legs with cross-bracing & adjustable flange feet*

* Tables 96" in length or larger include center legs

All Table Bases are welded and set-up before shipping.



Adjustable Stainless Steel Flanged Feet



24" WIDE TABLE BASE

Model	Approx. Wt.	Table Base Dim* L x W
TB-244RE	65 lbs.	48"x24"
TB-245RE	82 lbs.	60"x24"
TB-246RE	98 lbs.	72"x24"
TB-248RE*	130 lbs.	96"x24"
TB-249RE*	150 lbs.	108"x24"
TB-2410RE*	175 lbs.	120"x24"

30" WIDE TABLE BASE

Model	Approx. Wt.	Table Base Dim* L x W
TB-304RE	80 lbs.	48"x30"
TB-305RE	100 lbs.	60"x30"
TB-306RE	120 lbs.	72"x30"
TB-308RE*	160 lbs.	96"x30"
TB-309RE*	185 lbs.	108"x30"
TB-3010RE*	215 lbs.	120"x30"

36" WIDE TABLE BASE

Model	Approx. Wt.	Table Base Dim* L x W
TB-364RE	98 lbs.	48"x36"
TB-365RE	125 lbs.	60"x36"
TB-366RE	153 lbs.	72"x36"
TB-368RE*	205 lbs.	96"x36"
TB-369RE*	228 lbs.	108"x36"
TB-3610RE*	260 lbs.	120"x36"

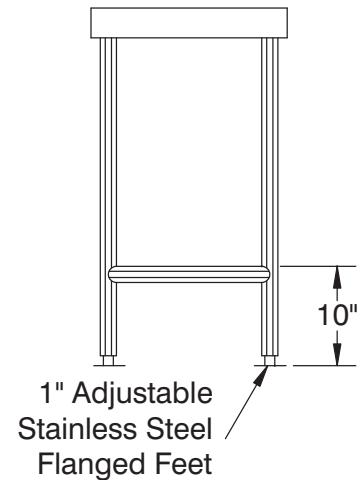
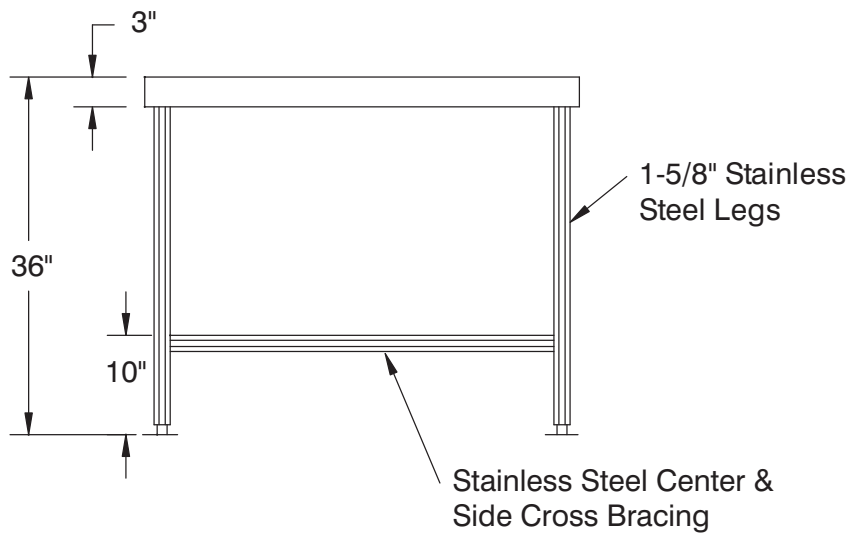
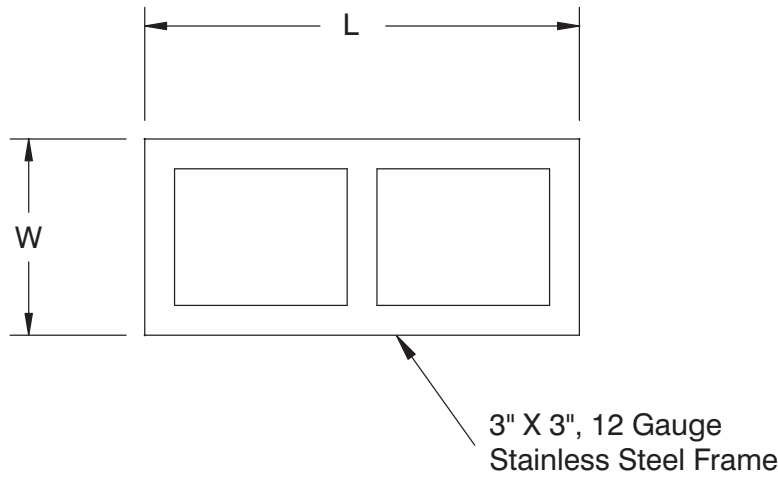
*NOTE: L x W Dimensions are Finished Base Size (Not Top Size).
Verify Top Size (Supplied By Others) When Ordering.
Minimum of a 1" Overhang is Recommended.

Professional Stainless Steel Products For Your Home

Toll Free Phone: 866-799-0106 • Toll Free Fax: 866-799-0249

www.alinebyadvancetabco.com

STAINLESS STEEL SOLID SURFACE TABLE BASES



* Tables 96" in length or larger include center legs

**NOTE: L x W Dimensions are Finished Base Size (Not Top Size).
Verify Top Size (Supplied By Others) When Ordering.
Minimum of a 1" Overhang is Recommended.**

Toll Free Phone: 866-799-0106 • Toll Free Fax: 866-799-0249

www.alinebyadvancetabco.com