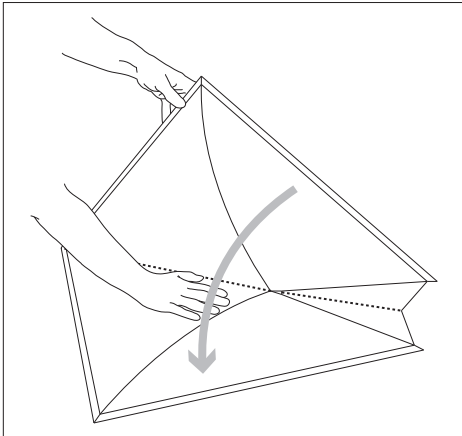
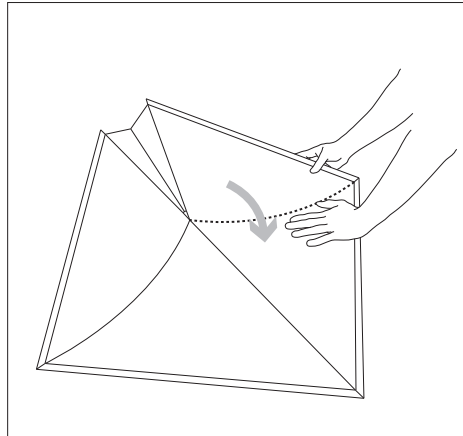


FoldScapes Bloom Tile

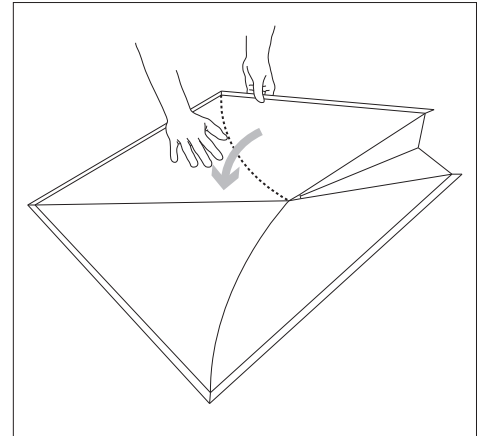
IMPORTANT: Follow instructions carefully! Save instructions for future reference.
Printable instructions available online at: <http://www.mioculture.com/media/instructions/fld/bloom.pdf>



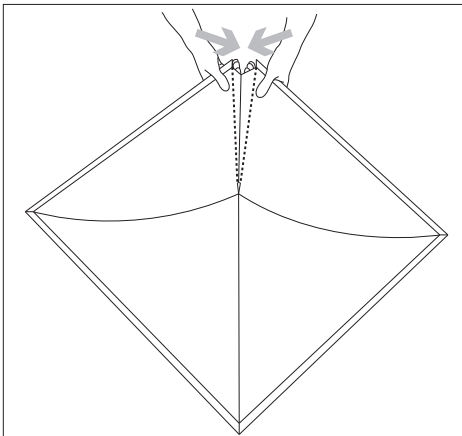
STEP 1 Place tile on a clean and flat surface (white side down), then gently fold in half.



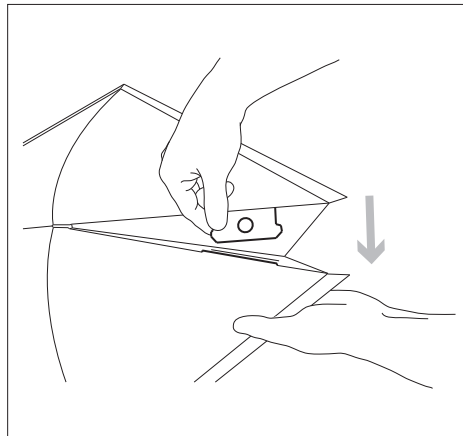
STEP 2 Carefully fold side flap as shown to prevent wrinkling or damage to tile.



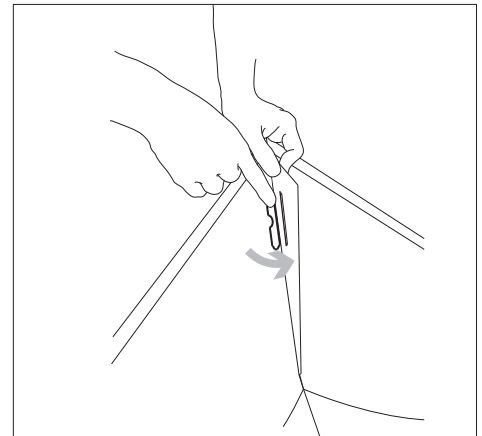
STEP 3 Repeat step 2 on other side to fold side flap.



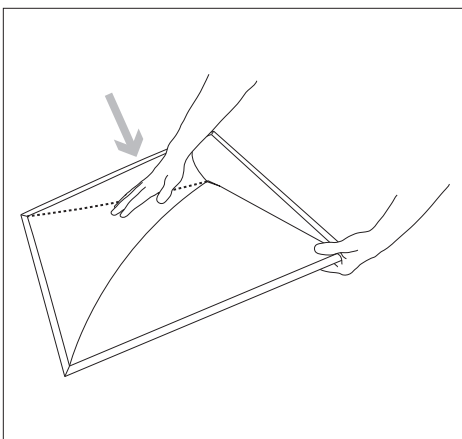
STEP 4 Gently fold as shown to bring tab to slot



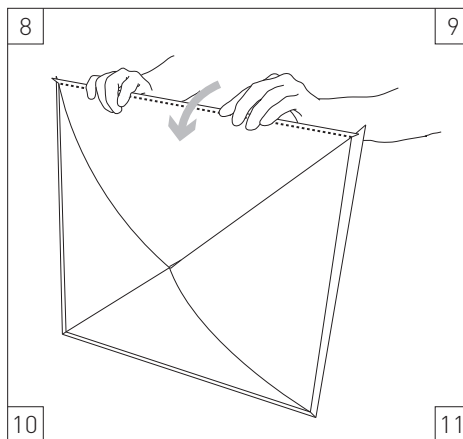
STEP 5 Insert tab into the edge slot.



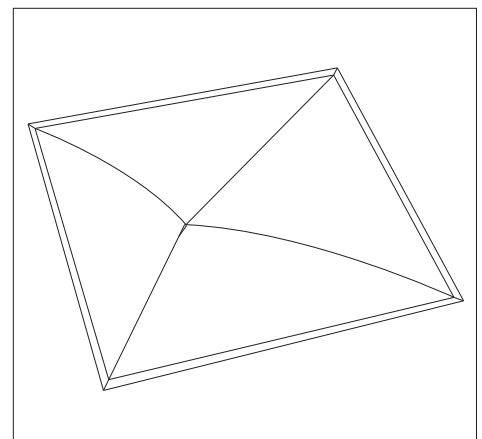
STEP 6 Secure tab by inserting into the second slot and fold over edge.



STEP 7 Gently fold inward to release tension in the creases. This will allow the tile to sit flat in the drop ceiling grid.



STEP 8-11 Fold edge over on all four sides.



Tile is ready to install!