

# Cuisinart®

Outdoor Grilling Products

## PORTABLE LP GAS GRILL

MODEL: CGG-200

### ASSEMBLY AND OPERATING INSTRUCTIONS



#### **⚠ WARNING: FOR OUTDOOR USE ONLY**

- ⚠ This instruction manual contains important information necessary for the proper assembly and safe use of the appliance
- ⚠ Read and follow all warnings and instructions before assembling and using the appliance
- ⚠ Follow all warnings and instructions when using the appliance
- ⚠ Keep this manual for future reference

**Note to installer:** Leave this Owner's Manual with the consumer after delivery and/or installation.

**Note to customer:** Leave this Owner's Manual in a convenient place for future reference.

#### **⚠ DANGER**

1. Do not store or use gasoline or other flammable liquids or vapors in the vicinity of this or any other appliance.
2. An LP cylinder not connected for use shall not be stored in the vicinity of this or any other appliance.

#### **⚠ DANGER**

If you smell gas:

1. Shut off gas to the appliance.
2. Extinguish any open flame.
3. Open lid.
4. If odor continues, keep away from the appliance and immediately call your fire department.



#### **⚠ DANGER**

Failure to follow these instructions could result in fire, explosion or burn hazard, which could cause property damage, personal injury or death.

#### **⚠ DANGER**

1. Never operate this appliance unattended.
2. Never operate this appliance within 10 feet (3.05m) of any other gas cylinder.
3. Never operate this appliance with 25 feet (7.5m) of any flammable liquid.
4. If a fire should occur, keep away from the appliance and immediately call your fire department . Do not attempt to extinguish an oil or grease fire with water.
5. Heated liquids remain at scalding temperatures long after the cooking process. Never touch cooking appliance until liquids have cooled to 115oF (45°C) or less.

#### **⚠ DANGER**

Failure to follow these instructions could result in fire, explosion or burn hazard, which could cause property damage, personal injury or death.

## Table of Contents

<b>1. Warnings and Safety Instructions</b>	<b>3</b>
<b>2. Illustrated Parts List</b>	<b>4</b>
<b>3. Exploded View</b>	<b>5</b>
<b>4. Assembly Instructions</b>	<b>6</b>
<b>5. Operating Your Grill</b>	
5.1 Select a proper location	8
5.2 Special Instructions for the use of regulator and cylinder	8
5.3 Installing the LP gas cylinder	9
5.4 Checking for gas leak	9
5.5 Lighting instructions	10
5.6 Match lighting	10
5.7 Using the grill	10
<b>6. Care and Maintenance</b>	<b>11</b>
<b>7. Warranty Program and Replacement Parts</b>	<b>12</b>

## 1. Warnings and Safety Instructions

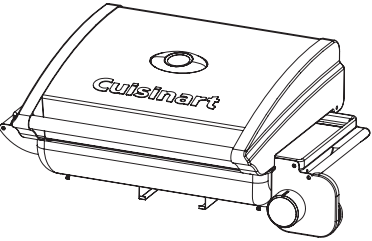
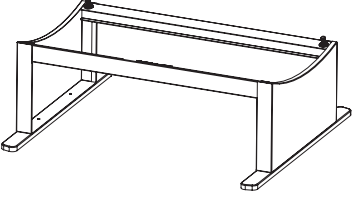
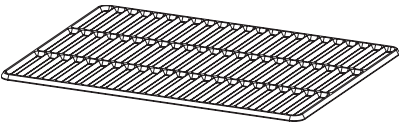
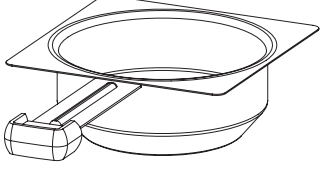
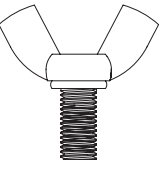



If these instructions are ignored, there is a possibility of a hazardous fire or explosion which could result in physical injury or property damage! It is your responsibility to assemble, operate and maintain your gas grill properly.

### READ ALL WARNINGS AND INSTRUCTIONS PRIOR TO ASSEMBLING AND OPERATING YOUR GRILL

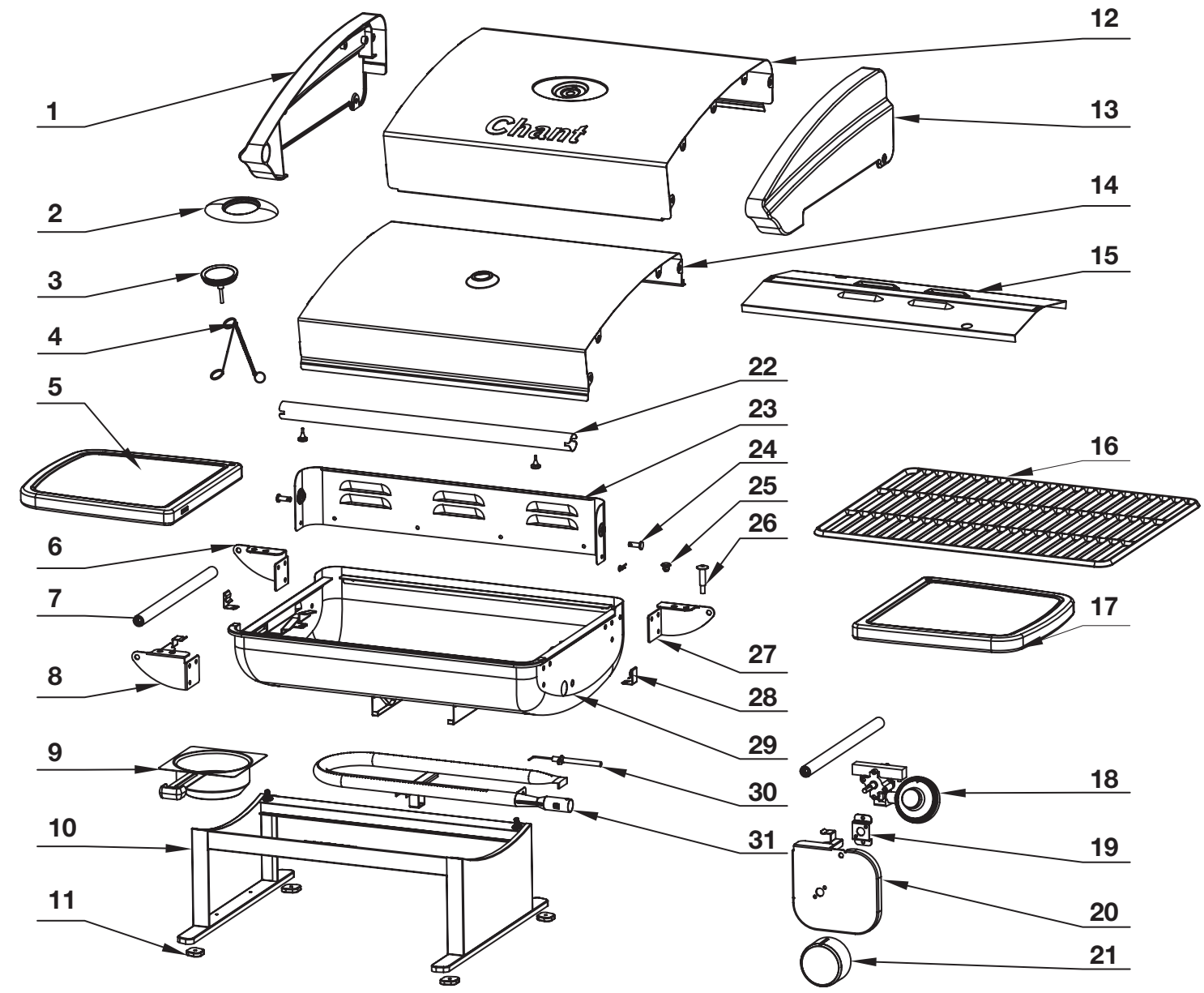
#### WARNINGS:

- ⚠ This grill is for outdoor use only. It should NOT be used in a building, garage or any other enclosed area.
- ⚠ The use of alcohol, prescription or non-prescription drugs may impair an individual's ability to properly assemble or safely operate this appliance.
- ⚠ Do not leave the grill unattended.
- ⚠ Keep children and pets away from the grill all the times.
- ⚠ Do not use the grill in high wind.
- ⚠ This grill must be used with propane gas only. Liquid propane is not natural gas. The conversion or attempted use of natural gas in a liquid propane grill is dangerous and will void your warranty.
- ⚠ Do not attempt to attach this grill to the self-contained propane system of a camper, trailer, motor home or house.
- ⚠ Do not use charcoal or lighter fluid.
- ⚠ Do not use gasoline, kerosene or alcohol for lighting. The LP-gas cylinder must be constructed and marked in accordance with the specifications for propane gas cylinder of the U.S. Department of Transportation (DOT).
- ⚠ Do not move appliance when in use. Allow the grill to cool to 115° (45) before moving or storing.
- ⚠ Do not use the grill unless it is COMPLETELY assembled and all parts are securely fastened and tightened. If there are any missing or damaged parts, contact customer service for a replacement.
- ⚠ Do not alter the grill in any manner.
- ⚠ Do not operate the grill if there is gas leak present.
- ⚠ The use and installation of this product must conform to local codes. In the absence of local codes, use the National Fuel Gas Code: ANSI.NFPA 58 or Natural Gas and Propane Installation Code, CSA B149.1; Propane Storage and Handling, CSA B149.2. Natural Gas and Propane Installation Code.
- ⚠ This appliance is not intended to be installed in or on a boat or recreational vehicle.
- ⚠ Locate the grill away from any combustible or non-combustible materials or construction by at least 24 inches (61cm) from the back and sides.
- ⚠ The appliance shall not be located used under overhead unprotected combustible construction.
- ⚠ This appliance is not intended for and should never be used as a heater.
- ⚠ This appliance will be hot during and after use. Use insulated oven mitts or gloves for protection from hot surfaces or splatter from cooking liquids.
- ⚠ This appliance is not intended for commercial use.
- ⚠ The pressure regulator supplied with the Cuisinart Gas Grill must be used.

## 2. Illustrated Parts List

<b>A.</b>		<b>Lid &amp; Firebox</b>	<b>1 pc</b>
<b>B.</b>		<b>Grill Leg Assembly</b>	<b>1 pc</b>
<b>C.</b>		<b>Cooking Grate</b>	<b>1 pc</b>
<b>D.</b>		<b>Drip Tray</b>	<b>1 pc</b>
<b>E.</b>		<b>Screw M6x12</b>	<b>2 pcs</b>
<b>F.</b>		<b>Black Washer M6</b>	<b>6 pcs</b>
<b>G.</b>		<b>Nut M6</b>	<b>2 pcs</b>
<b>H.</b>		<b>White Adhesive Washer M6 (Doubled sided tape)</b>	<b>2 pc</b>

## 3. Exploded View



<b>1</b>	<b>Lid side panel - left</b>	<b>11</b>	<b>Rubber Feet</b>	<b>21</b>	<b>Control knob</b>
<b>2</b>	<b>Thermometer's bezel</b>	<b>12</b>	<b>Lid panel - Front</b>	<b>22</b>	<b>Lid handle</b>
<b>3</b>	<b>Thermometer</b>	<b>13</b>	<b>Lid side panel - Right</b>	<b>23</b>	<b>Lid support panel</b>
<b>4</b>	<b>Match Holder</b>	<b>14</b>	<b>Lid side panel - Inner</b>	<b>24</b>	<b>Pin</b>
<b>5</b>	<b>Side Shelf - left</b>	<b>15</b>	<b>Flame tamer</b>	<b>25</b>	<b>Bushing</b>
<b>6</b>	<b>Rear support bracket - left</b>	<b>16</b>	<b>Cooking grate</b>	<b>26</b>	<b>Side shelf screw</b>
<b>7</b>	<b>Carrying handles</b>	<b>17</b>	<b>Side Shelf - Right</b>	<b>27</b>	<b>Rear support bracket - right</b>
<b>8</b>	<b>Front support bracket - left</b>	<b>18</b>	<b>Regulator and gas valve assembly</b>	<b>28</b>	<b>Flame tamer lock</b>
<b>9</b>	<b>Drip tray</b>	<b>19</b>	<b>Gas valve support bracket</b>	<b>29</b>	<b>Fire Box</b>
<b>10</b>	<b>Leg assembly</b>	<b>20</b>	<b>Control Panel</b>	<b>30</b>	<b>Electrode</b>
				<b>31</b>	<b>Burner</b>

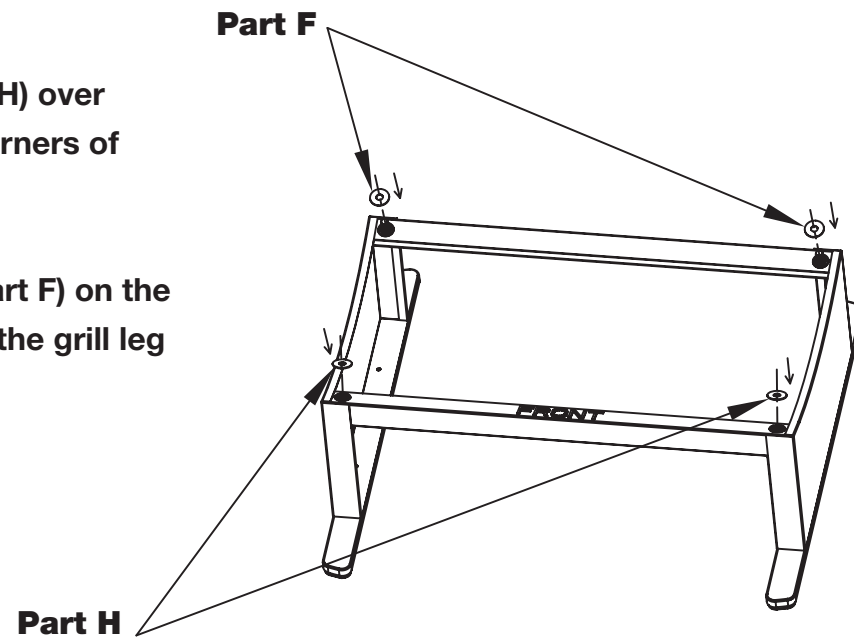
## 4. Assembly Instructions

Remove all the contents from packaging, and make sure all parts are present before attempting to assemble! Part numbers reference the table on page 4.

### Step 1:

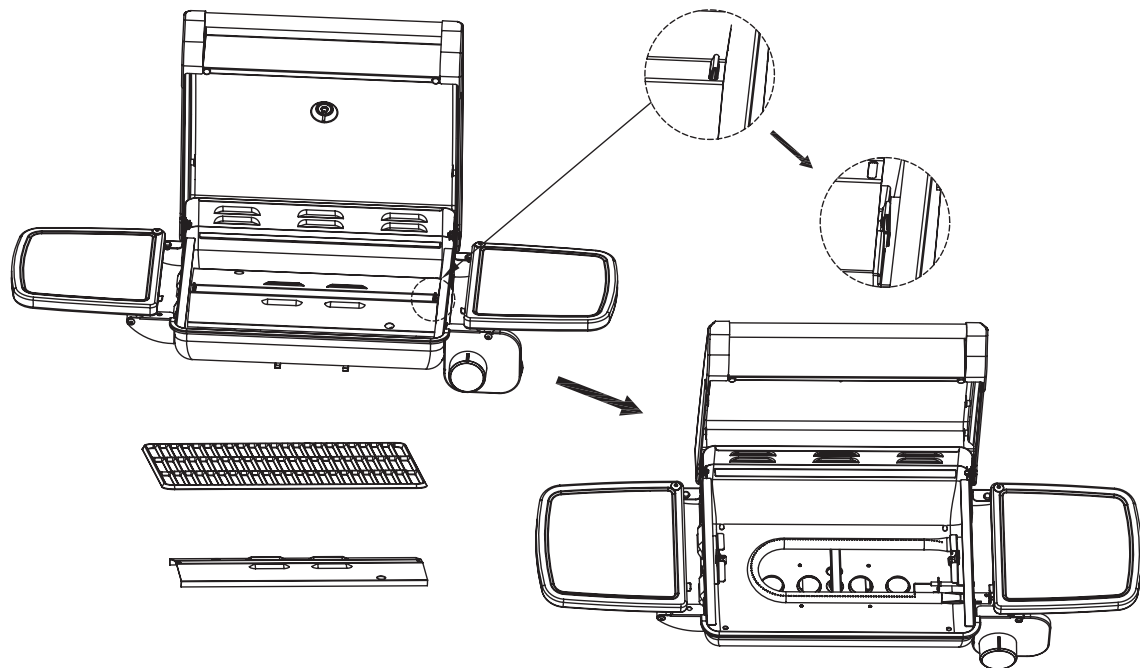
White Adhesive washer M6 (Part H) over the two bolt holes on the front corners of the grill leg assembly (Part B).

Next, attach black washer M6 (Part F) on the bolt posts on the rear corners of the grill leg assembly (Part B).



### Step 2:

Remove cooking grate and flame tamer



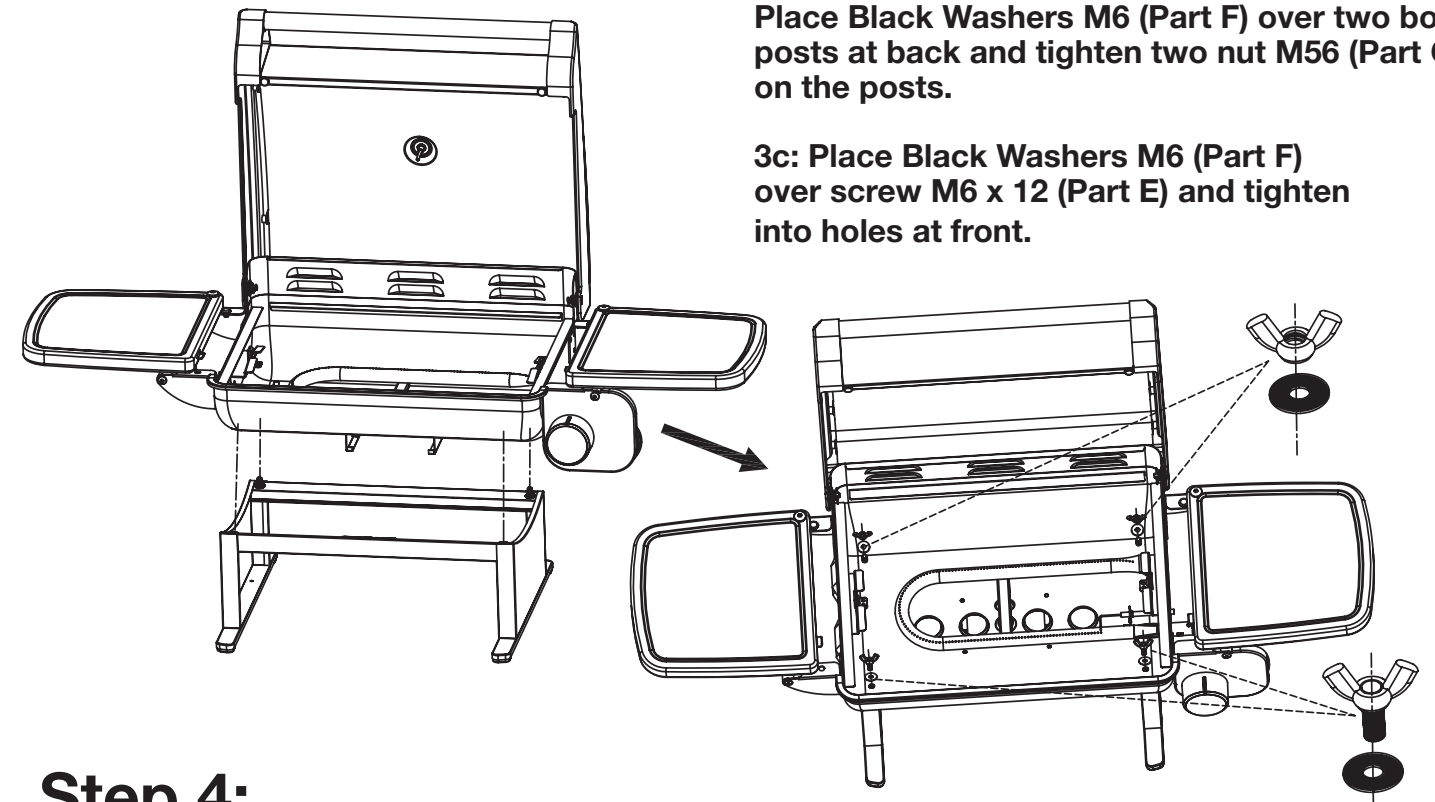
### Step 3a:

Attach the Grill Leg Assembly (Part B) to the bottom of the Lid & Fire Box (Part A) assembly

### Step 3b:

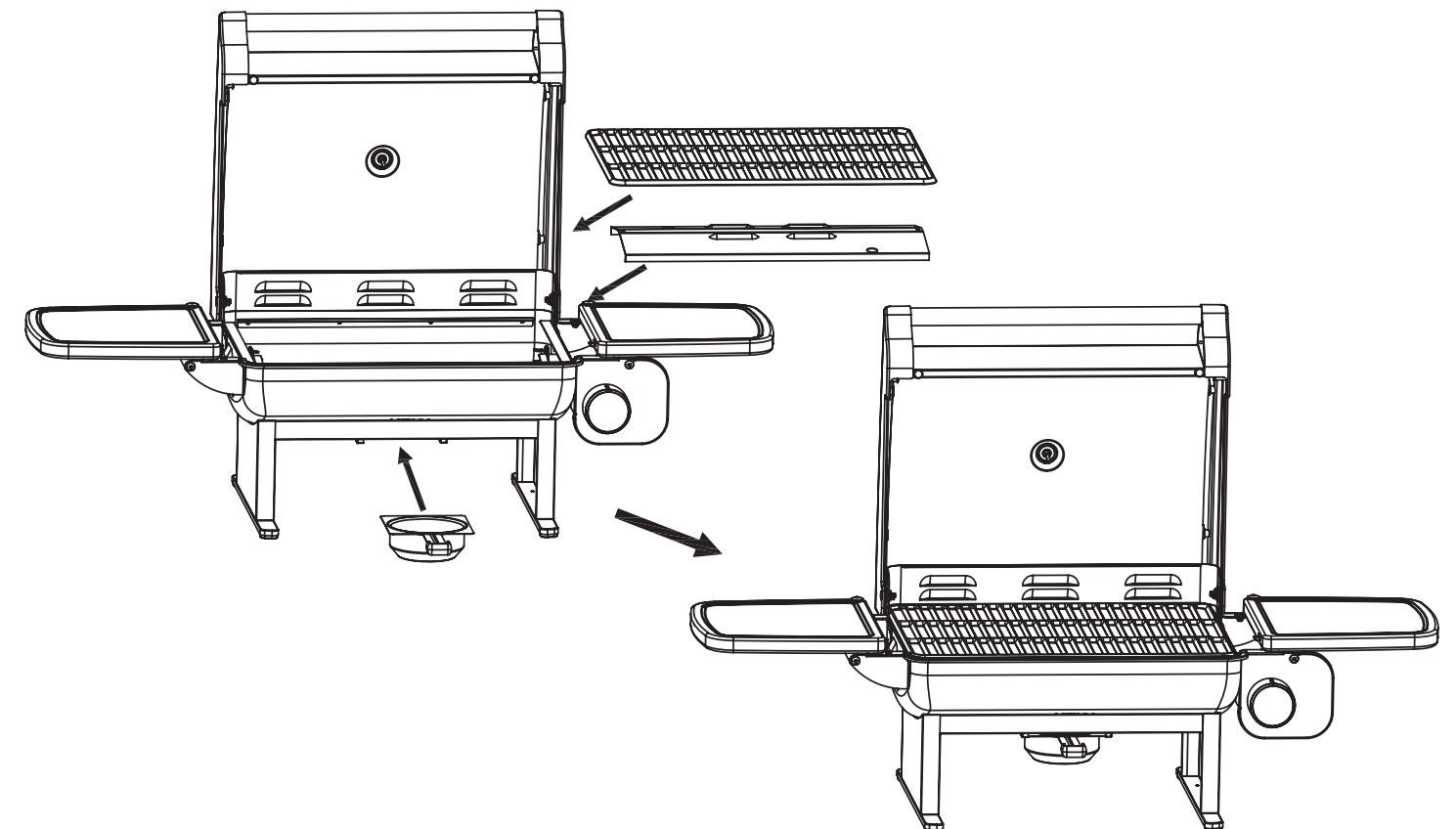
Place Black Washers M6 (Part F) over two bolt posts at back and tighten two nut M56 (Part G) on the posts.

3c: Place Black Washers M6 (Part F) over screw M6 x 12 (Part E) and tighten into holes at front.



### Step 4:

Put the Flame Tamer, Cooking Grate and Drip Tray on the grill.



## 5. Operating Your Grill

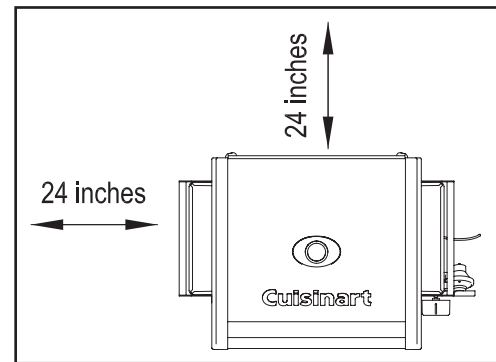
### 5.1 Select a Proper Location

Once you have assembled your new grill, find a suitable location for use.

Note: The use of installation of this product must conform to local codes. In absence of local codes, use the National Fuel Gas Code: ANSI Z223.1/NFPA54, Storage and Handling of Liquefied Petroleum Gases, ANSI.NFPA 58 or Natural Gas and Propane Installation Code, CSA B149.1; Propane Storage and Handling, CSA B149.2.

#### **⚠ DANGER**

1. Never use this outdoor grill inside any building, garage, shed or breezeway, or inside any boat, trailer or recreational vehicle and/or boat, to prevent possible fire and to prevent the possibility of carbon monoxide poisoning or asphyxiation.
2. Always place your grill on a hard and level surface far away from combustible materials and structures.
3. Do not use this grill under an overhead combustible surface or covered area ( e.g., awnings, umbrellas, porches or gazebos ). Keep all combustible surfaces at least 24" (61cm) away.
4. Locate the grill away from any combustible and non-combustible material or construction by at least 24 inches (61cm) from back and 24 inches (61cm) from side.(See the diagram below)
5. Never store or use gasoline or other flammable or volatile substances in the vicinity of this grill or in the vicinity of any other heat-generating appliance, because of the danger of starting a fire.
6. The cylinder be disconnected when the appliance is not in use.



### 5.2 Special Instructions for the Use of Regulator and Propane Cylinder

A propane gas cylinder is required for operation. Use a 14.1 oz. or 16.4 oz.

- This Cuisinart grill is equipped with a regulator having a CGA No.600 cylinder connection device for connecting to a 14.1 oz. or 16.4 oz. Only cylinders marked "PROPANE" must be used.
- The propane cylinder must be constructed and marked in accordance with the specification for LP-Gas cylinders of the U.S Department of Transportation (D.O.T) or the National standard of Canada, CAN/CSA-B339,Cylinders, Spheres and Tubes for Transportation of Dangerous Goods.
- Store spare fuel canisters in a well-ventilated area away from the grill.
- Do not puncture or burn fuel canister.
- If the grill is not in use, the control knob must be turned to the "OFF" position to shut off the gas flow from the cylinder.
- Do not store a spare propane cylinder under or near this grill. Never fill the cylinder beyond 80 percent full. If this instruction is not followed exactly, a fire causing death or serious injury may occur.
- Save the cylinder cap and reinstall when not in use.
- Cylinder supply system must be arranged for vapor withdrawal. Do not block the pressure relief valve during use or storage.
- Always remove LP-gas cylinder from grill when transporting and when not in use.

### 5.3 Installing the Gas Cylinder

(The propane gas cylinder is not provided with the appliance.)

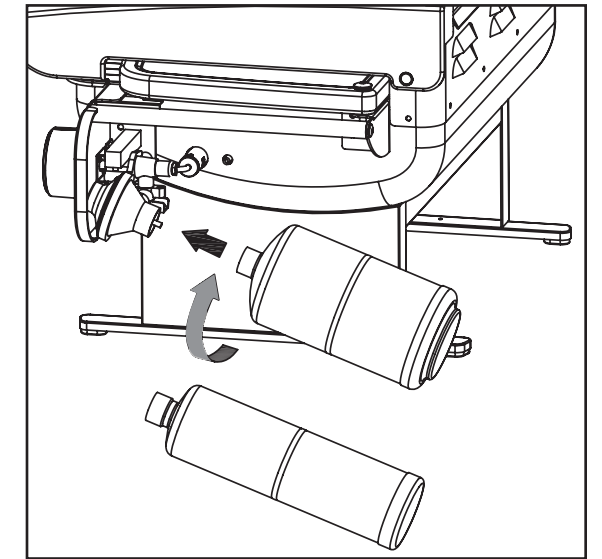
A gas cylinder complying with the requirements listed in section 5.2 must be obtained before the grill can operate. Connect the LP cylinder to the grill outdoors only.

Read and follow all direction on the cylinder.

1. Turn the burner control knob to "OFF" position.
2. Remove the protective caps from the cylinder valve and coupling nut, if present.
3. Open grill lid and fold right-hand grill shelf over onto grill grate
4. Grasp the grill handle nearest to the regulator with one hand, and with the other hand push the cylinder into the threaded regulator connector and turn clockwise until tight.
5. TIGHTEN BY HAND ONLY. Do not use tools.

#### Removal Of The Gas Cylinder

1. Turn the burner control knob to "OFF" position.
2. Grasp the grill handle nearest to the regulator with one hand, and turn the cylinder counterclockwise until it comes off.



### 5.4 Checking for Gas Leak

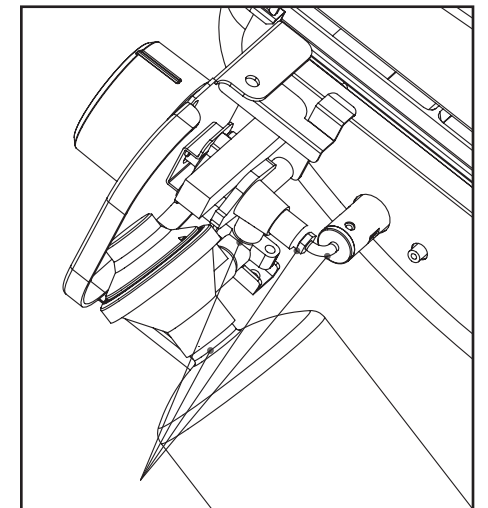
#### **⚠ DANGER**

#### Check gas system for leaks to prevent fire or explosion hazard

1. The "Leak Check" must be performed before lighting the grill and each time the cylinder is connected for use.
2. Do not smoke or allow other sources of ignition in the area while conducting a leak test.
3. Conduct the leak test outdoors in a well-ventilated area.
4. Do not use matches, lighters or a flame to check for leaks.
5. Do not use grill until all leaks have been stopped. If you are unable to stop a leak, disconnect the propane supply, and call for gas application service or your local propane gas supplier.

#### Leak Check Method

1. Make 2-3 oz. of leak solution by mixing one part liquid dishwashing soap with three parts water.
2. Make sure control knob is in the "OFF" position.
3. Spray or paint some leak solution on the cylinder and regulator connection.
4. Inspect the solution at the connections, looking for bubbles. If no bubbles appear, the connection is secure.
5. If bubbles appear, a leak is detected. Go to step 6.
6. Disconnect the cylinder from the regulator, and reconnect. Make sure the connection is secure and no leak is found before using the grill.
7. If you continue to see bubbles, **DO NOT USE THE GRILL.** Repeat the above process with a different LP cylinder. If leaks are still present, contact the customer service center.

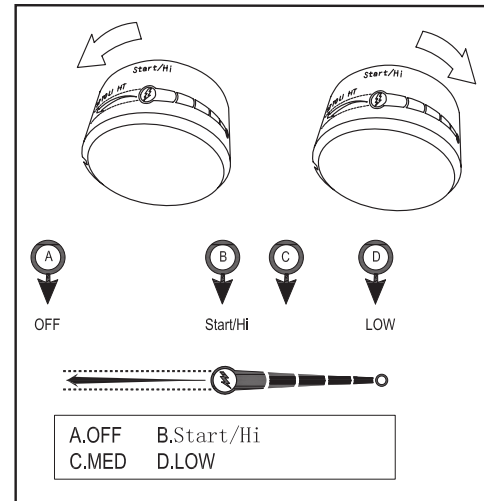


## 5.5 Lighting Instructions

1. Read all instructions before lighting.
2. Open lid during lighting.
3. Make sure the gas control knob is in “OFF” position.
4. Unfold side tables into the open position.
5. Push the gas control knob and quickly turn counterclockwise to “HIGH” position. The igniter will click and light the burner.
6. If ignition does not occur in 5 seconds, turn the gas control knob off, wait 5 minutes, and repeat steps 2 - 5.\* Before cooking on this grill for the first time, operate the grill for about 15 minutes with the lid closed and the gas turned on “HIGH”. This will “heat clean” the internal parts and dissipate odor from the painted finish.

\*Clean your grill after each use. See Section 6.3 for instructions

\*If the burner does not light, turn the gas control knob off and wait 5 minutes to let the gas clear before you try again.



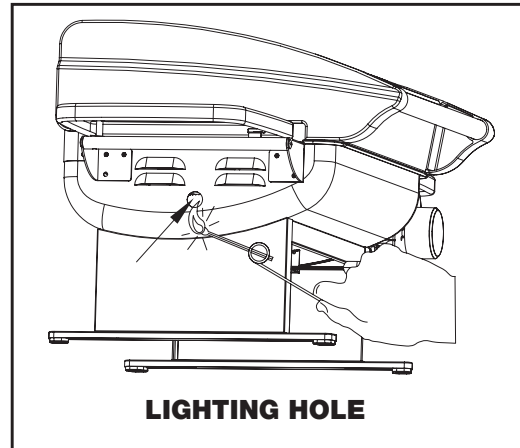
## 5.6 Match lighting

### IMPORTANT!

A match lighting hole is located on the left side of the firebox.

#### Match lighting instructions:

1. Read all instructions before lighting.
2. Open lid during lighting.
3. Make sure the gas control knob is in “OFF” position.
4. Unfold side tables into the open position.
5. Strike a long wooden match and position the burning match through the match lighting hole in the left side of the firebox. Place the flame near the bottom edge of the burner.
6. Push down and turn the burner control knob counterclockwise to the high setting.
7. The burner should light. The flame will carry around the burner. Allow grill to pre-heat with the grill lid closed for 2-3 minutes before cooking.

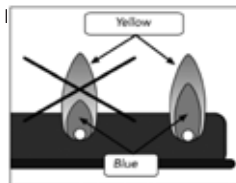


### CAUTION:

Do not touch any hot grill parts. The outside of the grill bottom especially becomes very hot during use. Use protective gloves to handle any parts that might become hot during use.

## 5.7 Using the Grill

Inspect the burner flame by looking through the

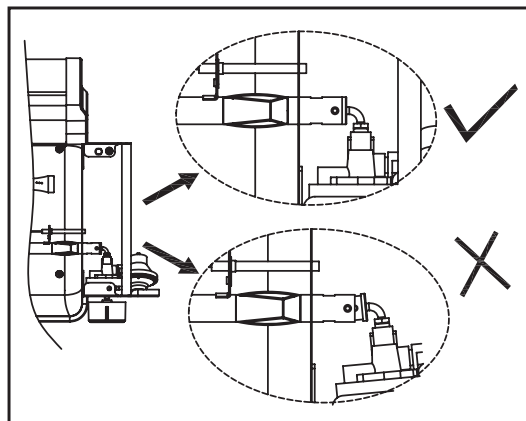


A good flame should be blue with some yellow tips coming from the burner holes. Yellow tips on flames up to 1/4" in height are acceptable as long as no carbon or soot deposits appear.

During operation, stand to the side of grill when opening the grill lid.

Do not expose any part of your body directly above the cooking area.

The burner opening must be positioned properly over the valve orifices.



## 6. Care And Maintenance

### 6.1 Care

Regular care of your grill will help keep it operating properly. All maintenance should be done only when the grill is cool and with the fuel supply turned off. Occasionally inspect and tighten hardware that may become loose.

### 6.2 Cleaning The Venturi Tube

A spider's nest or wasp's mud inside the Venturi Tube can block gas flow and can even cause a fire at the gas control valve. Such a fire can cause operator injury and serious damage to your grill.

To prevent insect related problems, inspect the Venturi Tube screen cover regularly and remove any dirt.

### WARNING!

Do not disassemble or alter the fuel supply system. Improper assembly can result in a hazardous condition. Seek qualified professional assistance if repairs are required.

### 6.3 Cleaning And Maintenance

- **WARNING: Do not clean any grill surface while grill is operating. Let grill cool to a safe temperature prior to cleaning.**
- Disconnect the fuel supply and remove the fuel supply cylinder prior to cleaning.
- Cleaning should be done where detergent won't harm work surface or lawn.

#### Exterior Cleaning

- Clean grill exterior surfaces with warm soapy water. Stainless steel lid panel and side shelves can be cleaned with commercial stainless steel cleaner.
- Wash drip tray in warm soapy water – do not run through dishwasher.

#### Interior Cleaning

- Cooking grate can be cleaned with a grill brush. For best results, cooking grate should be warm (warm, not hot – never brush with grill operating, or when interior is very hot). If desired, cool cooking grate can be removed from grill and cleaned with warm soapy water.
  - Should you wish to remove accumulated debris from the bottom of the fire box, proceed as follows:
    - Let grill cool completely
    - Remove cooking grate and set aside
    - Remove screw securing flame tamer; remove flame tamer and set aside !CAUTION Flame tamer edges and surface are sharp – use care when handling
    - Carefully scrape and remove debris from bottom of firebox using care not to touch burner element, igniter, or igniter wire.
- WARNING: DO NOT APPLY ANY CLEANERS OR LIQUIDS TO BURNER ELEMENT OR ATTEMPT TO CLEAN IN ANY WAY.**
- **DO NOT USE WATER OR LIQUIDS TO CLEAN GRILL INTERIOR**
  - Replace flame tamer and securing screw. **CAUTION: DO NOT OPERATE GRILL WITHOUT FLAME TAMER IN PLACE.**

## 7. Warranty and Replacement Parts

This warranty covers defects in parts and workmanship for a period of 3 years from the original purchase date. Any damage claim regarding the enameling must be submitted within 30 days of purchase to be covered by the warranty.

**The following conditions are NOT covered by this warranty:**

- Unevenness and color variations in the enamel coating.
- Damage caused by improper assembly or disregard of the manual.
- Use of spare parts not supplied by manufacturer.
- Damage resulting from modifications or inappropriate use.
- Abuse of the grill
- Damage caused by improper maintenance or repairs by an unauthorized person.

**Limitations and exclusions:**

1. This warranty applies only to the original purchaser and may not be transferred.
2. If you can not verify the purchase date of the grill the warranty period will begin on the date the grill was manufactured.
3. Replacement or repair parts are warranted for the remaining period of the original part warranty.

**Your obligations:**

This grill must be assembled, installed, operated and maintained in accordance with all applicable codes and the instruction manual furnished with this grill. You must keep an invoice, cancelled check or payment record to verify the purchase date of the grill.

**For troubleshooting, FAQs or customer service, visit us at [www.thefulhamgroup.com/CGG-200](http://www.thefulhamgroup.com/CGG-200) or contact us at 1-866-994-6390**

**To order replacement parts or additional Cuisinart Grilling products, visit us at [www.cuisinart.com](http://www.cuisinart.com) or call 1-800-211-9604**

**Model#CGG-200**

**North American Distributor:**

**The Fulham Group**

**Newton, MA 02466**

# Cuisinart®

Outdoor Grilling Products

## GRIL À GAZ PROPANE PORTABLE

MODÈLE : CGG-200

### INSTRUCTIONS D'ASSEMBLAGE ET D'OPÉRATION



#### **⚠ Avertissement : Utiliser à l'extérieur uniquement**

- ⚠ Cette notice contient des renseignements importants permettant un assemblage adéquat et à une utilisation sécuritaire de l'appareil.
- ⚠ Lire et suivre toutes les mises en garde et toutes les instructions avant l'assemblage et l'utilisation de l'appareil.
- ⚠ Suivre toutes les mises en garde et toutes les instructions lors de l'utilisation de l'appareil
- ⚠ Conservez cette notice pour consultation ultérieure.

**Note pour l'installateur :** Laisser ce guide du propriétaire au client après la livraison et/ou l'installation.

**Note pour le client :** Laisser ce guide du propriétaire à un endroit pratique pour référence future.

#### **⚠ DANGER**

1. Ne pas ranger ou utiliser de l'essence ou d'autre liquide ou gaz inflammable à proximité de cet appareil ou de tout autre appareil.
2. Ne pas ranger une bonbonne de gaz non raccordée à proximité de cet appareil ou de tout autre appareil.

#### **⚠ AVERTISSEMENT**

Si vous sentez une odeur de gaz :

1. Coupez l'admission de gaz de l'appareil.
2. Éteindre toute flamme nue.
3. Ouvrir le couvercle.
4. Si l'odeur persiste, appelez immédiatement votre fournisseur de gaz ou votre service des incendies

#### **⚠ AVERTISSEMENT**

Le non respect des instructions suivantes peut entraîner des dommages matériels, des blessures graves ou la mort résultant d'un incendie ou d'une explosion.



#### **⚠ DANGER**

1. Ne jamais faire fonctionner cet appareil sans surveillance.
2. Ne jamais faire fonctionner cet appareil à moins de 10 pieds (3,05 m) d'une autre bouteille de gaz.
3. Ne jamais faire fonctionner cet appareil à moins de 25 pieds (7,5 m) d'un liquide inflammable.
4. Si un incendie devait se produire, restez loin de l'appareil et appeler immédiatement le service des incendies. Ne tentez pas d'éteindre l'huile ou la graisse en feu avec de l'eau.
5. Les liquides chauffés demeurent brûlants longtemps après la cuisson. Ne jamais toucher l'appareil de cuisson avant que la température des liquides ne soit à 115 °F (45 °C) ou moins.

#### **⚠ DANGER**

Le non respect des instructions suivantes peut entraîner des dommages matériels, des blessures graves ou la mort résultant d'un incendie ou d'une explosion.



## **Table des matières**

<b>1. Avertissements et consignes de sécurité</b>	<b>3</b>
<b>2. Nomenclature illustrée des pièces</b>	<b>4</b>
<b>3. Vue explosée</b>	<b>5</b>
<b>4. Instructions d'assemblage</b>	<b>6</b>
<b>5. Fonctionnement de votre gril</b>	
5.1 Choix d'un emplacement pour l'installation	7
5.2 Mode d'emploi spécial du régulateur et de la bonbonne	8
5.3 Installation de la bonbonne de gaz	8
5.4 Inspection de détection de fuite	9
5.5 Instructions d'allumage	9
5.6 Allumage avec une allumette	10
5.7 Utilisation du gril	10
<b>6. Soins et entretien</b>	<b>11</b>
<b>7. Programme de garantie et des pièces de rechange</b>	<b>12</b>

## 1. Avertissements et consignes de sécurité

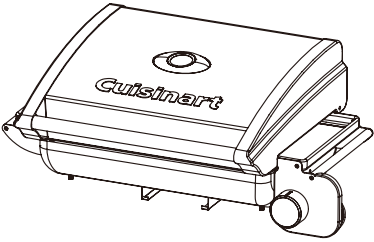
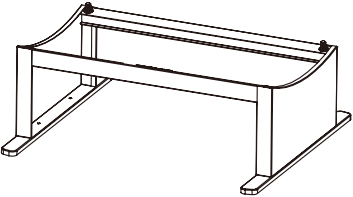
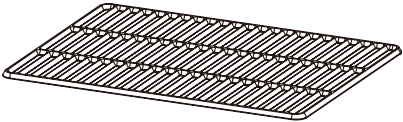
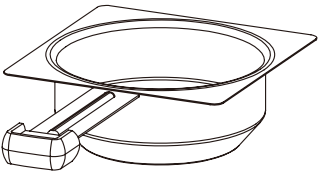
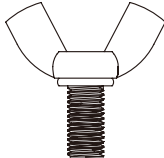
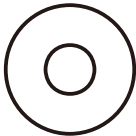


Si ces instructions sont ignorées, il y aura possibilité de danger d'incendie ou d'explosion qui pourrait se solder par des blessures ou des dégâts à la propriété! C'est votre responsabilité d'assembler, de faire fonctionner et d'entretenir votre gril à gaz correctement.

**Lire tous les avertissements et les consignes avant d'assembler et de faire fonctionner votre gril.**

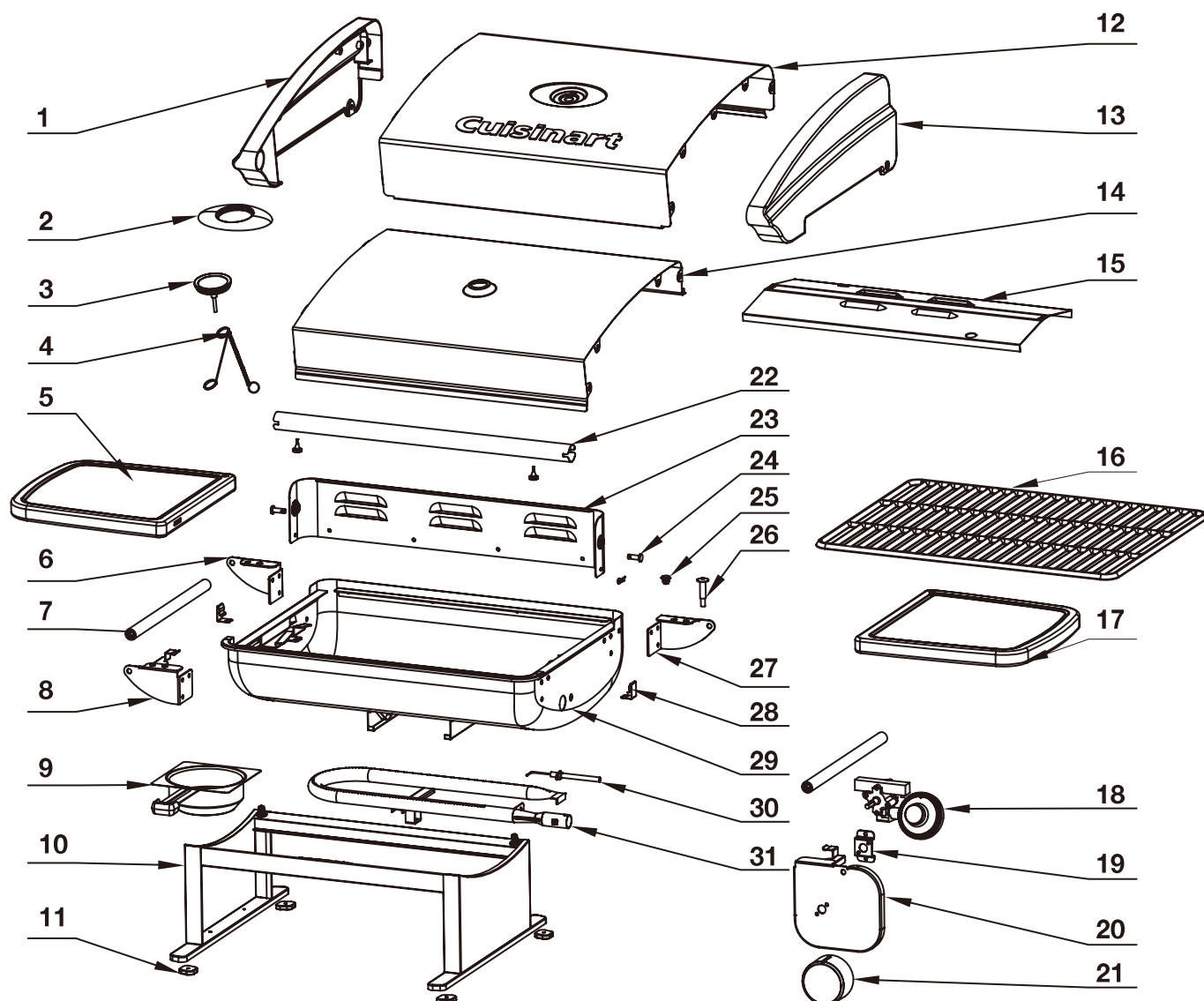
### AVERTISSEMENTS :

- ⚠ Ce gril doit être utilisé à l'extérieur seulement. Il ne doit PAS être utilisé dans un édifice, un garage ou tout autre endroit clos.
- ⚠ La consommation d'alcool, de médicaments en vente libre ou prescrits peuvent altérer les habiletés d'un individu pour assembler correctement ou faire fonctionner cet appareil.
- ⚠ Ne pas laisser ce gril sans surveillance.
- ⚠ Toujours garder les enfants et les animaux loin du gril.
- ⚠ Ne pas utiliser le gril lors de grands vents.
- ⚠ Ce gril doit uniquement être utilisé avec du gaz propane. Le propane liquide est différent du gaz naturel. La conversion ou la tentative d'utilisation de gaz naturel dans un gril au propane liquide est dangereuse et annulera votre garantie.
- ⚠ Ne pas tenter d'attacher ce gril au système de propane indépendant d'une caravane, d'une remorque, d'une autocaravane ou de la maison.
- ⚠ N'utiliser pas de charbon de bois ou d'essence à briquet.
- ⚠ N'utiliser pas d'essence, de kérosène ou d'alcool pour allumer. La bonbonne de gaz doit être fabriquée et marquée conformément aux spécifications pour les bonbonnes de gaz propane du Ministère des transports américain (DOT) CFR 49.
- ⚠ Ne déplacez pas l'appareil lorsqu'il est utilisé. Permettre au gril de refroidir à 45 °C (115 °F) avant de le déplacer ou de le ranger.
- ⚠ N'utiliser pas le gril à moins qu'il ne soit **COMPLÈTEMENT** assemblé et que toutes les parties ne soient solidement attachées et serrées. S'il y a n'importe quelle partie manquante ou des pièces endommagées, communiquer avec le service après-vente pour un remplacement.
- ⚠ Ne pas modifier le gril d'aucune façon que ce soit.
- ⚠ Ne pas faire fonctionner le gril s'il y a fuite de gaz.
- ⚠ L'utilisation et l'installation de ce produit doivent être conformes aux codes locaux. En l'absence de codes locaux, utiliser le code national sur les gaz combustibles : ANSI, NFPA 58 ou Code pour installations au gaz naturel et gaz propane, CSA B149.1; Manipulation et entreposage de propane CSA B149.2
- ⚠ Cet appareil n'est pas destiné à être installé dans ou sur un bateau ou véhicule de plaisance.
- ⚠ L'appareil ne doit pas être utilisé dans un lieu situé sous une structure combustible non protégée.
- ⚠ Éloigner le dos et les côtés du gril d'au moins 61 cm (24 pouces) de toutes matières combustibles ou non combustibles ou de toutes constructions. Cet appareil n'est pas destiné à et ne devrait jamais être utilisé comme appareil de chauffage.
- ⚠ Cet appareil sera chaud pendant et après l'utilisation. Utiliser des mitaines de four isolées ou des gants pour protéger contre les surfaces chaudes ou les éclaboussures des liquides de cuisson.
- ⚠ Cet appareil n'est pas destiné à l'utilisation commerciale.
- ⚠ Le régulateur de pression fourni du gril à gaz Cuisinart doit être utilisé.

## 2. Nomenclature illustrée des pièces

1.		<b>Couvercle et chambre à combustion</b>	<b>1 pc</b>
2.		<b>Ensemble pied de grill</b>	<b>1 pc</b>
3.		<b>Grille de cuisson</b>	<b>1 pc</b>
4.		<b>Ramasse-graisses</b>	<b>1 pc</b>
A.		<b>Vis M6x12</b>	<b>2 pcs</b>
B.		<b>Rondelle d'étanchéité M6</b>	<b>6 pcs</b>
C.		<b>écrou M6</b>	<b>2 pcs</b>
D.		<b>Rondelle d'etanchéité M6 (Double taille bande)</b>	<b>2 pcs</b>

### 3. Exploded View



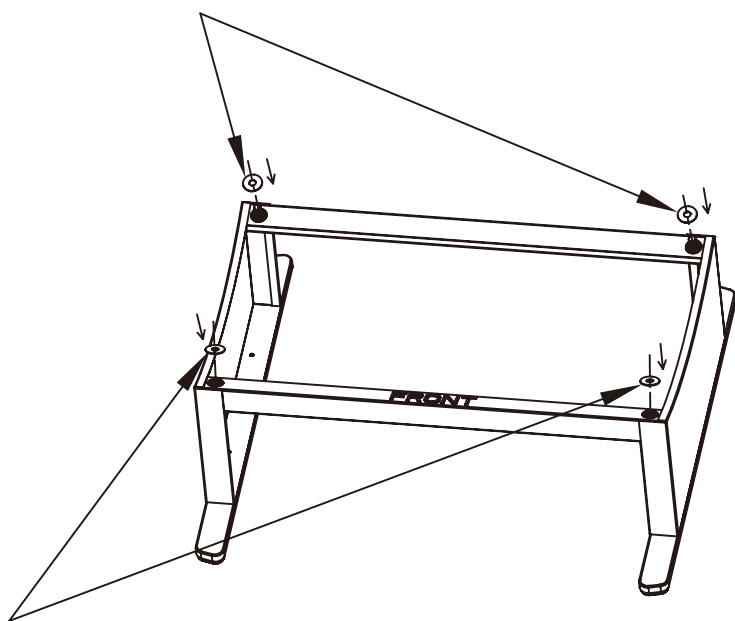
1	Panneau latéral gauche du couvercle	11	Sous-pattes de caoutchouc	21	Bouton de commande
2	Cadran de température	12	Panneau avant de couvercle	22	Poignée du couvercle
3	Thermomètre	13	Panneau latéral droit du couvercle	23	Panneau de support du couvercle
4	Support de Allumette	14	Panneau intérieur du couvercle	24	Tige
5	Table latérale gauche	15	Pare-flamme	25	Manchon
6	Support de retenue arrière gauche	16	Grille de cuisson	26	Vis d'étagère latérale
7	Poignées de déplacement	17	Table latérale droite	27	Support de retenue arrière droit
8	Support de retenue avant gauche	18	Ensemble soupape/ régulateur de gaz	28	Verrou du brûleur
9	Ramasse-graisses	19	Support de retenue de soupape à gaz	29	Foyer
10	Ensemble pied de gril	20	Console	30	Électrode
				31	Brûleur

## 4. Instructions d'assemblage

Sortir tout le contenu de l'emballage et assurez-vous que toutes les pièces soient incluses avant de tenter de les assembler!

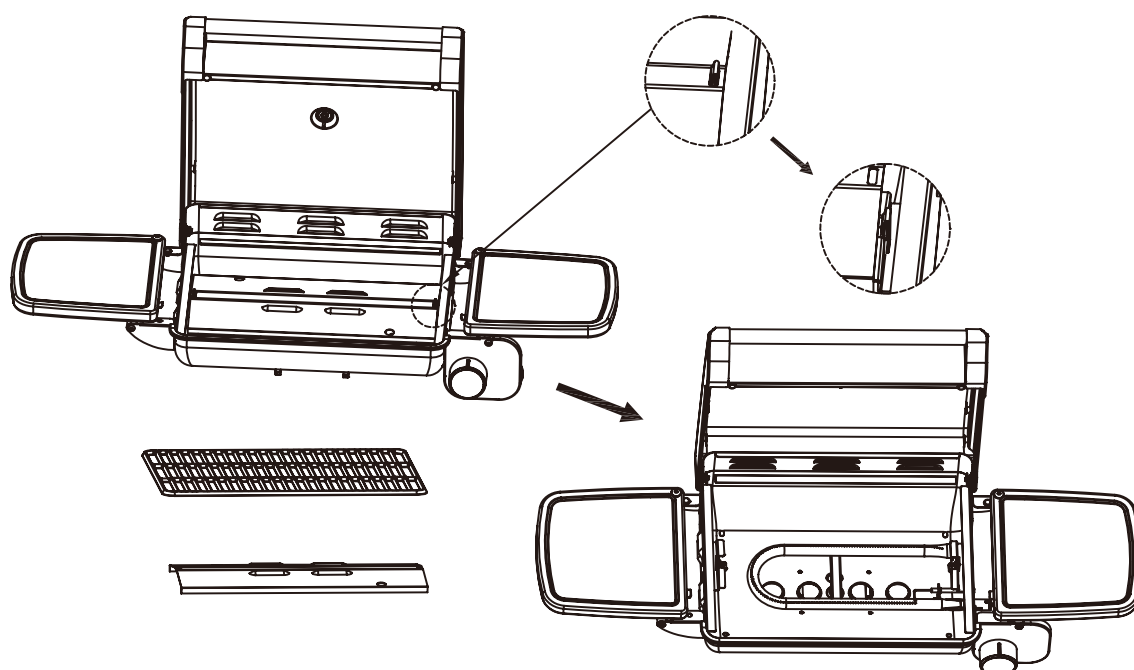
### Étape 1 :

Fixez les rondelles en ruban collant des deux côtés aux quatre coins



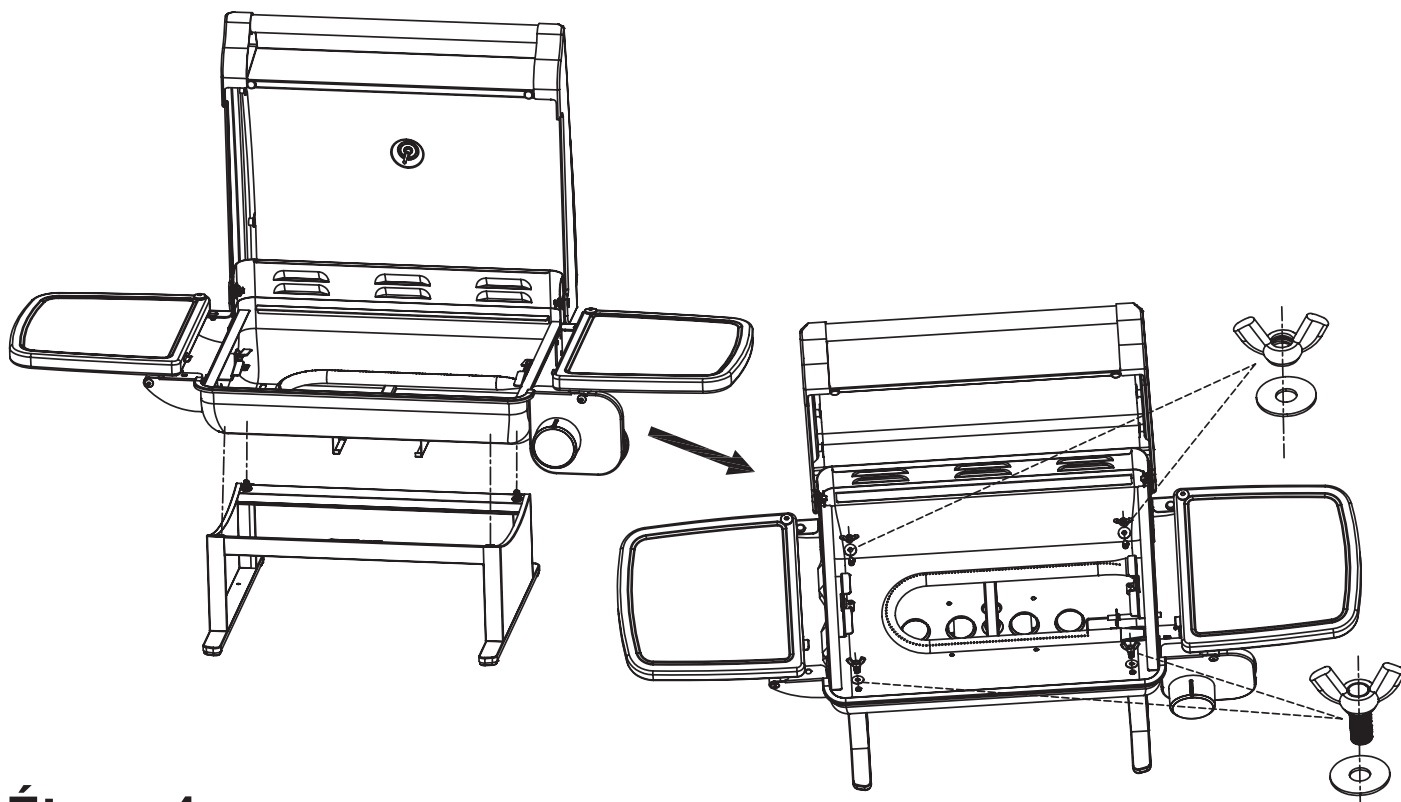
### Étape 2 :

Retirez la grille de cuisson et le brûleur



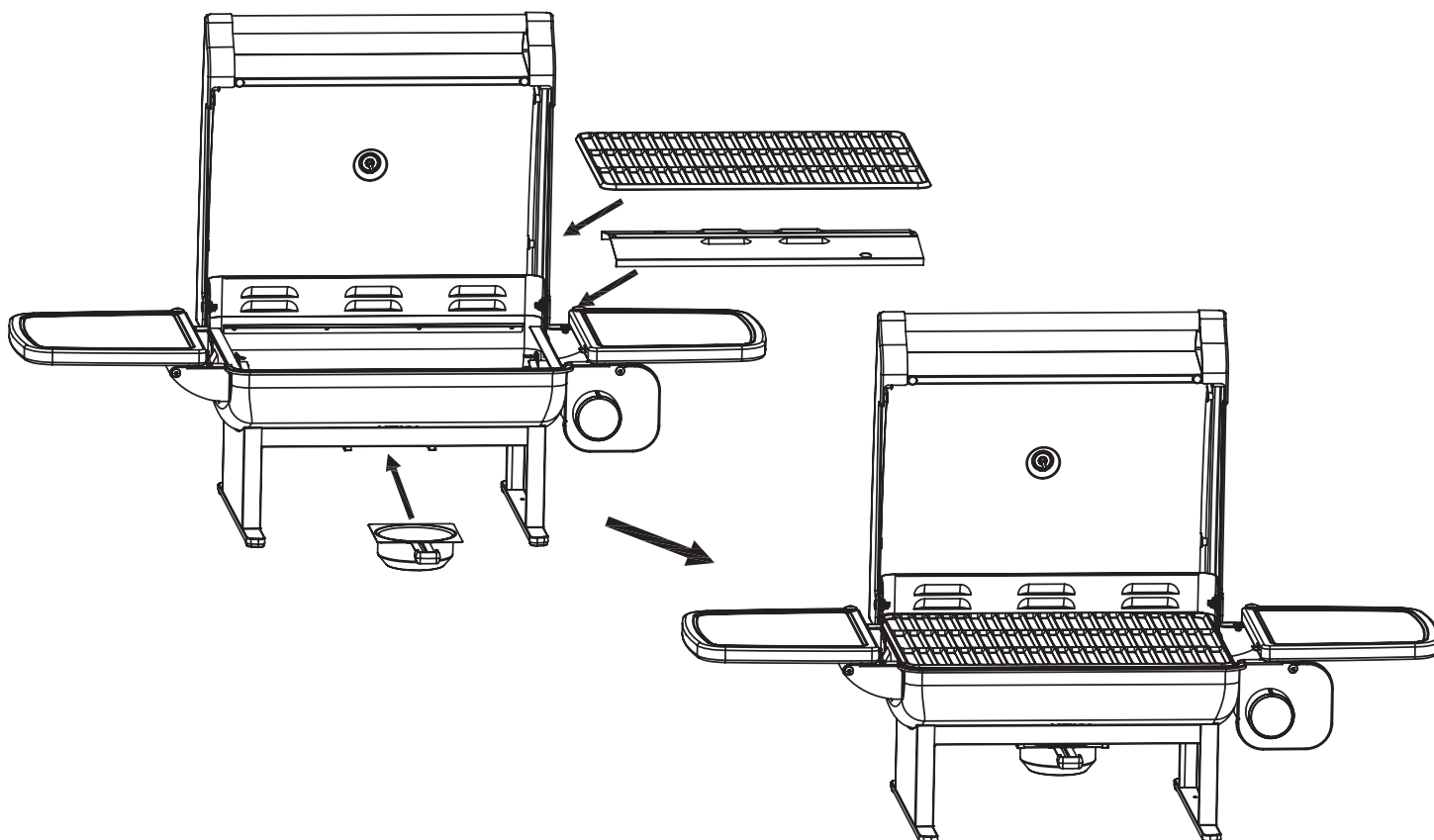
### Étape 3 :

Fixez la patte d'assemblage au fond de l'ensemble couvercle et chambre du brûleur du grill avec les vis et rondelles M6 sur le devant et les écrous à l'arrière



### Étape 4 :

Placez le brûleur, la grille de cuisson et le récupérateur de graisses sur le grill



## 5. Fonctionnement de votre grill

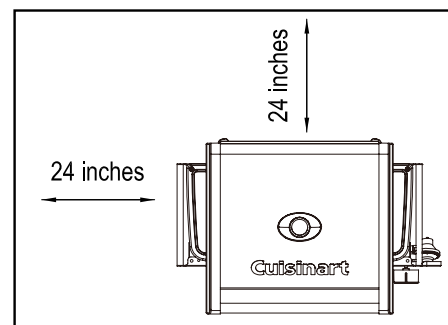
### 5.1 Choisir un emplacement approprié

Une fois que vous avez assemblé votre nouveau grill, trouvez un emplacement approprié pour l'utilisation.

**Note :** L'utilisation et l'installation de ce produit doivent être conformes aux codes locaux. En l'absence de codes locaux, utiliser le code national sur les gaz combustibles : ANSI/NFPA 58 ou Code pour installations au gaz naturel et gaz propane, CSA B149.1; Manipulation et entreposage de propane CSA B149.2 **⚠ DANGER**

#### **⚠ DANGER**

1. Ne jamais utiliser ce grill extérieur dans tout édifice, garage, hangar ou abri, ou à l'intérieur de n'importe quel bateau, véhicule récréatif et/ou embarcation de plaisance, afin d'éviter tout feu possible et empêcher la possibilité d'empoisonnement au monoxyde de carbone ou l'asphyxie..
2. Toujours placer votre grill sur une surface dure et de niveau, loin des matériaux combustibles et des structures
3. N'utiliser pas ce grill sous des surfaces inflammables ou dans des secteurs couverts (par exemple, les auvents, les parasols, les porches ou les belvédères). Garder toutes surfaces inflammables à une distance d'au moins 61 cm (24 pouces).
4. Éloigner le dos et les côtés du grill d'au moins 61 cm (24 pouces) de toutes matières combustibles ou non combustibles ou de toutes constructions. (Voir le schéma ci-dessous)
5. Ne jamais ranger ou utiliser de l'essence ou autres substances volatiles aux alentours de ce grill ou aux alentours d'un autre appareil produisant de la chaleur, à cause du danger d'incendie.
6. La bonbonne doit être débranchée de l'appareil lorsque celui-ci n'est pas utilisé.



### 5.2 Mode d'emploi spécial du régulateur et de la bonbonne

Une bonbonne de gaz propane est nécessaire pour le fonctionnement. Utiliser une bonbonne de propane de 417 ml (14,1 on) ou de 485 ml (16,4 on).

- Ce grill de Cuisinart est équipé d'un régulateur ayant un dispositif de raccordement de bonbonne CGA No 600. Seulement les bonbonnes identifiées « **PROPANE** » doivent être utilisées. de 417 ml (14,1 on) ou de 485 ml (16,4 on) seulement.
- La bonbonne de propane doit être fabriquée et marquée conformément à la spécification pour les bonbonnes de gaz du Ministère des transports américain (D.O.T.) ou selon la norme nationale du Canada, CAN/CSA-B339 intitulée Bonbonnes, sphères et tuyaux pour le transport de produits dangereux
- Ranger les bidons de rechange dans un secteur bien aéré loin du grill.
- Ne pas perforer ou brûler le bidon de carburant.
- Si le grill n'est pas en utilisation, le bouton de commande doit être tourné à la position « OFF » pour couper le flux de gaz de la bonbonne.
- Ne pas ranger de bonbonne de propane de rechange sous ou près de ce grill. Ne remplissez jamais la bonbonne plus de 80 pourcent. Si cette instruction n'est pas exactement suivie, un feu causant une blessure grave ou mortelle pourrait se produire.
- Conserver le capuchon de la bonbonne et le réinstaller lorsqu'elle n'est pas utilisée.
- Le système d'alimentation de la bonbonne doit être réglé pour l'échappement d'émanations. Ne pas bloquer la soupape de surpression pendant l'utilisation ou le rangement.
- Toujours enlever la bonbonne de gaz du grill lors du transport et lorsque le grill n'est pas utilisé.

## 5.3 Fonctionnement de votre gril

(La bonbonne de gaz propane n'est pas fournie avec l'appareil.)

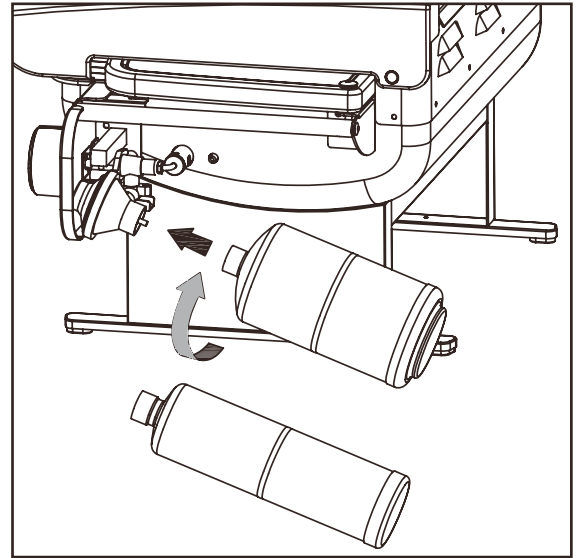
Vous devez vous équiper d'une bonbonne de gaz observant les exigences inscrites dans la section 4.2 avant que le gril ne puisse fonctionner. Raccorder la bonbonne de propane au gril seulement à l'extérieur.

Lire et suivre toutes les indications mentionnées sur la bonbonne.

1. Tourner le bouton de commande du brûleur à la position « OFF ».
2. Enlever les bouchons protecteurs de la valve de la bonbonne et l'écrou d'accouplement, le cas échéant.
3. Ouvrir le couvercle du gril et rabattre la tablette de droite du gril sur la grille du gril.
4. Saisir d'une main la poignée du gril la plus près du régulateur, pousser de l'autre main la bonbonne dans le raccord fileté du régulateur et tourner dans le sens des aiguilles d'une montre jusqu'à ce que ce soit serré..
5. **SERRER À LA MAIN SEULEMENT.** Ne pas utiliser d'outils.

### Retrait de la bonbonne de gaz

1. Tourner le bouton de commande du brûleur à la position « OFF ».
2. Saisir d'une main la poignée du gril la plus près du régulateur, et faites tourner la bonbonne en sens antihoraire jusqu'à ce qu'elle se libère.

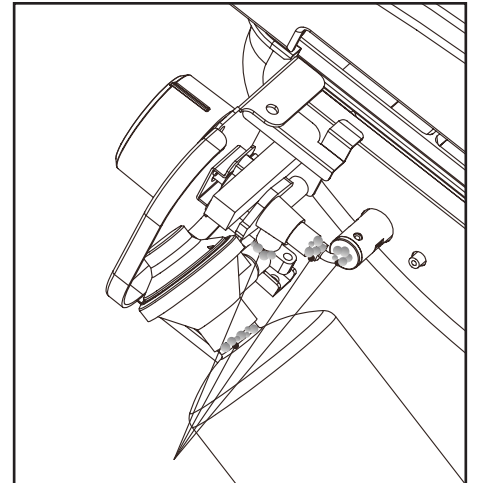


## 5.4 Vérification de fuites

**⚠ DANGER**

### Vérifier s'il y a des fuites au système de gaz afin d'éviter les incendies ou explosions

1. La « vérification des fuites » doit être effectuée avant d'allumer le gril et à chaque fois qu'une bonbonne est installée pour utilisation.
2. Effectuer la vérification de fuites à l'extérieur dans un endroit bien aéré.
3. Ne pas utiliser d'allumettes, de briquets ou de flamme pour vérifier la présence de fuite..
4. Ne pas utiliser le gril avant que les fuites aient été arrêtées, si vous êtes dans l'incapacité d'arrêter une fuite, débranchez l'alimentation au réservoir de propane et communiquez avec notre centre de service d'applications au gaz propane ou votre fournisseur de gaz propane local.



### Méthode de vérification de fuites

1. Faire un mélange 59-88 ml (2-3 on) de solution à bulles (une partie de savon à vaisselle pour trois parties d'eau).
2. Bien s'assurer que le bouton de commande est à la position « OFF ».
3. Vaporiser ou appliquer au pinceau la solution de fuite sur les raccords de la bonbonne et du régulateur.
4. Inspecter la solution sur les raccords à la recherche de bulles. S'il n'y a pas de bulles qui apparaissent, le raccordement est sécuritaire.
5. Si des bulles apparaissent, une fuite est décelée. Se rendre à l'étape 6.
6. Déconnecter la bonbonne du régulateur et reconnecter. S'assurer que le raccordement est sécurisé et qu'aucune fuite ne soit trouvée avant l'utilisation du gril.
7. Si vous voyez toujours des bulles. **NE PAS UTILISER LE GRIL.** Répéter les étapes indiquées précédemment avec une autre bonbonne de gaz. Si vous détectez toujours des fuites, contacter notre centre de service à la clientèle.

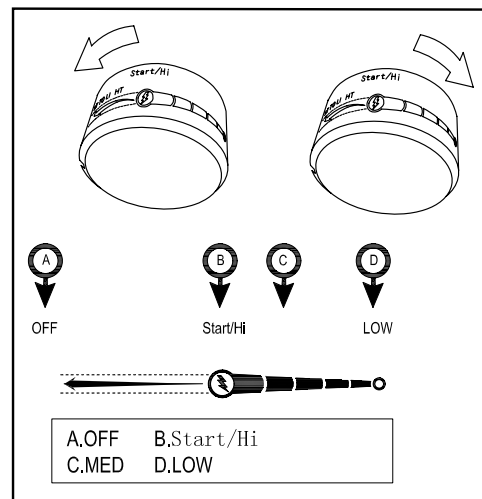


## 5.6 Instructions d'allumage

1. Lire toutes les instructions avant l'allumage.
2. Ouvrir le couvercle pendant l'allumage.
3. Veuillez vous assurer que le bouton de commande de gaz est à la position « OFF ».
4. Déplier les tables latérales en position ouverte.
5. Enfoncer le bouton de commande de gaz et le tourner rapidement dans le sens des aiguilles d'une montre à la position « HIGH ».  
L'amorçeur cliquera et allumera le brûleur.
6. Si l'amorçage ne se produit pas dans les 5 secondes, fermer le bouton de commande de gaz, attendre 5 minutes et répéter les étapes 2 à 5.

\*Avant de faire la cuisson sur ce gril pour la première fois, n'utilisez pas le gril pour environ 15 minutes avec le couvercle fermé et le gaz allumé à « HIGH ». Cela « chauffera les parties internes pour le nettoyage » et dissipera l'odeur de finition de la peinture.

\*Nettoyer votre grille après chaque usage. NE PAS utiliser d'abrasif ou de nettoyant inflammable, car cela endommagera les pièces du produit et initiera un incendie. Nettoyer à l'eau chaude savonneuse.



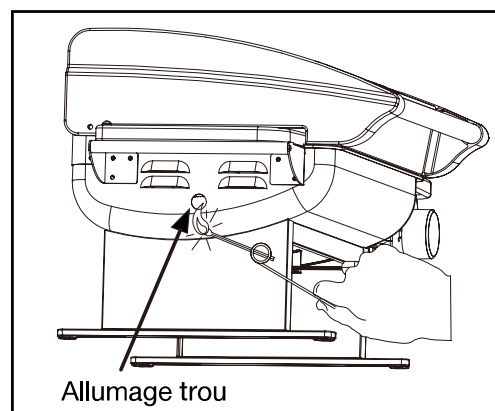
## 5.7 Allumage avec une allumette

### IMPORTANT!

Un trou d'allumage est situé sur le côté gauche de la chambre à combustion.

#### Instructions d'allumage avec une allumette :

1. Lire toutes les instructions avant l'allumage.
2. Ouvrir le couvercle pendant l'allumage.
3. Veuillez vous assurer que le bouton de commande de gaz est à la position « OFF ».
4. Déplier les tables latérales en position ouverte.
5. Frotter une longue allumette en bois et placer la flamme de l'allumette dans le trou au fond de la chambre à combustion. Placer la flamme près du bord au fond du brûleur.
6. Peser et tourner le bouton de commande du brûleur à son plus haut réglage en sens inverse des aiguilles d'une montre.
7. Le brûleur devrait allumer. La flamme se propagera autour du brûleur.



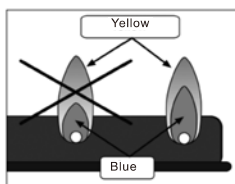
Allumage trou

### ⚠ AVERTISSEMENT :

Ne toucher à aucune pièce chaude du gril. L'extérieur du fond du gril devient particulièrement très chaud pendant l'utilisation. Utiliser des gants protecteurs pour manipuler n'importe quelle partie qui pourrait devenir chaude pendant l'utilisation.

## 5.8 Utilisation du gril

Inspecter la flamme de brûleur en regardant au travers des trous conçus pour l'allumage par allumette.

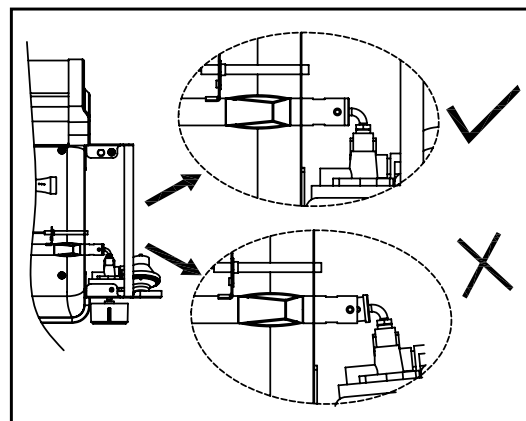


Une bonne flamme doit sortir bleue avec quelques pointes jaunes des trous du brûleur. Des pointes jaunes jusqu'à 6,5 mm (1/4 po) sont acceptables sur des flammes tant qu'aucun carbone ou dépôt de suie n'apparaisse.

Pendant l'opération, se tenir sur le côté du gril lors de l'ouverture du couvercle.

Ne pas exposer aucune partie de son corps directement au dessus de la surface de cuisson.

L'entrée d'alimentation du brûleur doit être adéquatement positionnée sur les ouvertures des soupapes.



## 6. Soins et entretien

### 6.1 Soins

Les soins réguliers apportés à votre gril aideront à le garder en bon état de fonctionnement. Tout l'entretien doit seulement être effectué lorsque le gril est froid et lorsque l'alimentation en carburant est fermée. De temps à autre inspecter et serrer la quincaillerie qui pourrait se desserrer.

### 6.2 Nettoyage du tuyau Venturi

Le nid d'une araignée ou la boue de guêpe à l'intérieur du Venturi peut bloquer l'écoulement de gaz et peut même causer un incendie à la valve de contrôle du gaz. Un tel incendie peut causer blessures à l'opérateur et des dégâts sérieux à votre gril.

Pour empêcher les problèmes liés aux insectes, inspecter le couvercle grillagé du tuyau Venturi régulièrement et enlever toute saleté.

### **AVERTISSEMENT!**

Ne pas démonter ou altérer le système d'alimentation de carburant. L'assemblage incorrect peut résulter en une condition dangereuse. Faites appel à de l'aide professionnelle qualifiée si des réparations sont nécessaires.

### 6.3 Nettoyage et entretien

- **AVERTISSEMENT : Ne pas nettoyer la surface du gril pendant son utilisation. Laisser le gril refroidir à une température sécuritaire avant de le nettoyer.**
- Déconnecter l'alimentation de carburant et retirer la bonbonne avant le nettoyage.
- Le nettoyage devrait être fait là où le détergent ne nuira pas au plan de travail ou à la pelouse.

#### Nettoyage de l'extérieur du gril

- Nettoyer la surface extérieure du gril à l'eau chaude savonneuse. Le couvercle en acier inoxydable et les côtés peuvent être nettoyés avec un nettoyeur commercial pour acier inoxydable.
- Laver le ramasse-graisses dans l'eau chaude savonneuse - ne pas mettre au lave-vaisselle.

#### Nettoyage de l'intérieur du gril

- La grille de cuisson peut être nettoyée avec une brosse à gril. Pour de meilleurs résultats, la grille de cuisson devrait être tiède (tiède et non chaude - ne jamais brosser lorsque le gril fonctionne, ou lorsque l'intérieur est très chaud). Si désiré, la grille de cuisson tiède peut être enlevée du gril et nettoyée avec de l'eau chaude savonneuse.
- Si vous voulez enlever des débris accumulés au fond de la chambre à combustion, procéder comme suit :
  - laisser le gril refroidir complètement
  - Enlever la grille de cuisson et la mettre de côté
  - Gratter soigneusement et enlever les débris au fond de la chambre à combustion en faisant attention à ne pas toucher l'élément de brûleur, l'allumeur ou son fil.
- **AVERTISSEMENT : NE PAS APPLIQUER DE DÉTERSIFS OU DE LIQUIDES SUR L'ÉLÉMENT DU BRÛLEUR OU ESSAYER DE LE NETTOYER D'AUCUNE FAÇON.**
- **NE PAS UTILISER D'EAU OU DE LIQUIDES POUR NETTOYER L'INTÉRIEUR DU GRIL**
  - Remettre en place le brûleur et la vis de fixation. **AVERTISSEMENT : NE PAS UTILISER LE GRIL SANS QUE LE BRÛLEUR SOIT REMIS EN PLACE.**

## 7.0 Programme de garantie

Cette garantie couvre la défectuosité des pièces et la main d'œuvre pour une durée de 3 ans à partir de la date d'achat originale. Toute réclamation en dommages et intérêts quant à l'émaillage doit être soumise dans les 30 jours suivants la date d'achat pour être couverte par la garantie.

### **Les conditions suivantes ne sont PAS couvertes par cette garantie :**

- Les inégalités et les variations de couleur dans la couche d'émail
- Les dommages causés par un assemblage incorrect ou la méconnaissance du manuel
- L'utilisation de pièces additionnelles non fournies par le fabricant.
- Les dommages causés par des modifications ou par l'usage inapproprié.
- L'utilisation excessive du gril
- Les dommages causés par un entretien inapproprié ou les réparations effectuées par du personnel non autorisé.

### **Restrictions et exclusions :**

1. Cette garantie s'applique seulement à l'acheteur original et ne peut pas être transférée.
2. Si vous ne pouvez pas démontrer la date d'achat du gril, la période de garantie commencera le jour où le gril a été fabriqué.
3. Le remplacement ou la réparation des pièces détachées sera garanti pendant la période restante de la garantie de pièce originale.

### **Vos obligations :**

Ce gril doit être assemblé, installé, exploité et entretenu conformément à tous les codes applicables et le mode d'emploi inclus avec de ce gril. Vous devez conserver la facture, le chèque annulé ou le registre de paiement pour démontrer la date d'achat du gril.

## **Pour le service après-vente et des pièces de rechange, veuillez communiquer avec**

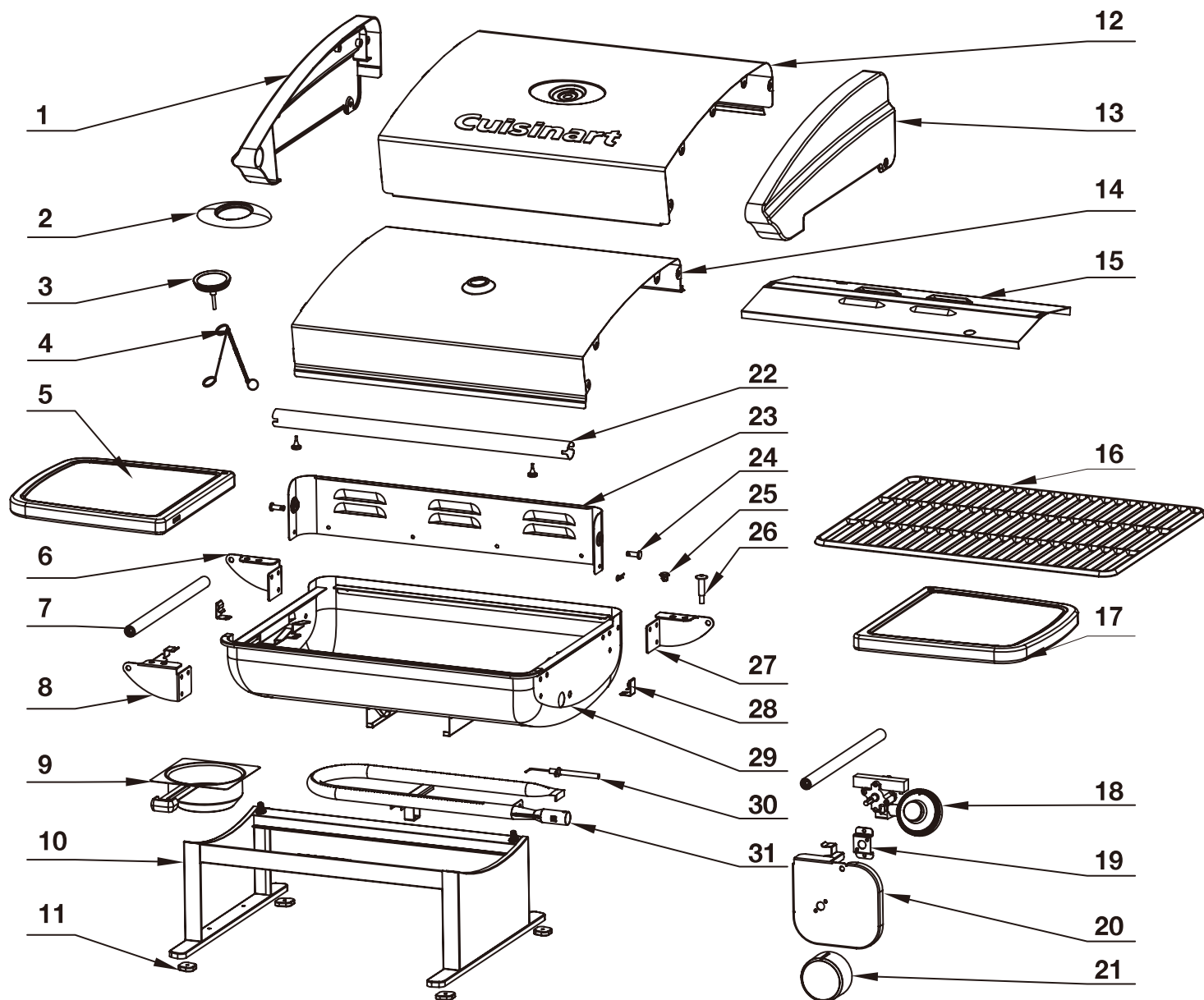
Le distributeur Nord-Américain.  
Le groupe Fulham  
Newton, MA 02466

**1-866-994-6390**

**[www.cuisinart.com](http://www.cuisinart.com)**

**Model # CGG-200**

### 3. Diagrama ampliado



1	Panel lateral de la tapa - izquierdo	11	Pata de goma	21	Perilla de control
2	Bisel del termómetro	12	Panel de la tapa - delantero	22	Asa de la tapa
3	Termómetro	13	Panel lateral de la tapa - derecho	23	Panel de apoyo de la tapa
4	fósforos sostenedor	14	Panel de la tapa - interior	24	Pasador
5	Estante lateral - izquierdo	15	Difusor de calor	25	Buje
6	Soporte de apoyo trasero - izquierdo	16	Rejilla para cocinar	26	Tornillo del estante lateral
7	Asas para traslado	17	Estante lateral - derecho	27	Soporte de apoyo trasero - derecho
8	Soporte de apoyo delantero - izquierdo	18	Conjunto de regulador y válvula de gas	28	Bloqueo del difusor de calor
9	Bandeja de goteo	19	Soporte de apoyo de la válvula de gas	29	Fogón
10	Conjunto de patas del asador	20	Panel de control	30	Electrodo
				31	Quemador

## **Table of Contents**

<b>1. Advertencias e instrucciones de seguridad</b>	<b>3</b>
<b>2. Lista de partes ilustradas</b>	<b>4</b>
<b>3. Diagrama ampliado</b>	<b>5</b>
<b>4. Instrucciones de instalación</b>	<b>5</b>
<b>5. Cómo funciona su asador</b>	
<b>5.1 Selección del lugar de la instalación</b>	<b>7</b>
<b>5.2 Instrucciones especiales para utilizar el regulador y el cilindro</b>	<b>8</b>
<b>5.3 Instalación del cilindro de gas LP</b>	<b>8</b>
<b>5.4 Comprobación de fugas</b>	<b>9</b>
<b>5.5 Instrucciones de encendido</b>	<b>9</b>
<b>5.6 Encendido con fósforos</b>	<b>10</b>
<b>5.7 Utilización del asador</b>	<b>10</b>
<b>6. Cuidado y mantenimiento</b>	<b>11</b>
<b>7. Programa de garantía y Piezas de repuesto</b>	<b>12</b>

## 1. Advertencias e instrucciones de seguridad

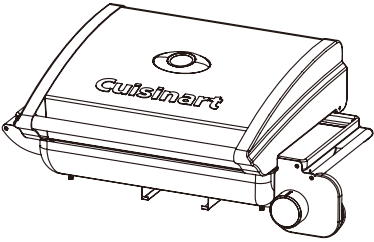
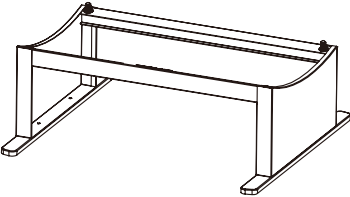
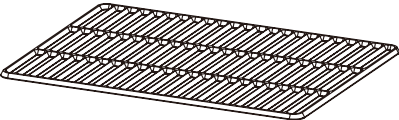
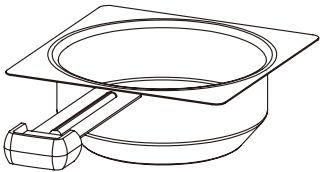
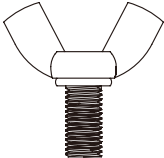
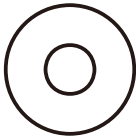


Si omite estas instrucciones, existe la posibilidad de incendios o explosiones que pueden ocasionar lesiones físicas o daños materiales. Es responsabilidad suya instalar, poner en funcionamiento y mantener correctamente su asador de gas.

**Lea todas las advertencias e instrucciones antes de instalar y poner en funcionamiento su asador**

### ADVERTENCIAS:

- ⚠ Este es un asador sólo para uso en aire libre. **NO** se debe utilizar dentro de un edificio, garaje o cualquier otra área cerrada.
- ⚠ El consumo de alcohol o medicamentos sin o con receta puede inhibir la capacidad de un individuo para instalar correctamente o poner a funcionar de manera segura este equipo.
- ⚠ No deje desatendido el asador.
- ⚠ Mantenga a niños y mascotas lejos del asador en todo momento.
- ⚠ No use el asador si el viento es intenso.
- ⚠ En este asador sólo se usa gas propano. El propano líquido no es gas natural. La conversión o el intento de usar gas natural en un asador de propano líquido es peligroso y anulará su garantía.
- ⚠ No intente conectar este asador al sistema de propano independiente de un vehículo camper, remolque, casa motorizada o vivienda.
- ⚠ No utilice carbón o fluido para encender carbón.
- ⚠ No use gasolina, queroseno o alcohol para encender. El cilindro de gas LP debe estar construido y tener las indicaciones que dictan las especificaciones para cilindros de gas propano CFR 49 del Departamento de Transporte Estadounidense (DOT).
- ⚠ No mueva el equipo si lo está utilizando. Permita que el asador se enfríe a 115 (45) antes de moverlo o guardarlo.
- ⚠ **NO** utilice el asador a menos que esté **COMPLETAMENTE** instalado y todas las piezas estén debidamente fijadas y apretadas. Si faltan piezas o si están dañadas, comuníquese al departamento de servicio para obtener repuestos.
- ⚠ No altere de ninguna manera el asador.
- ⚠ No ponga a funcionar el asador si se produce una fuga de gas.
- ⚠ El uso e instalación de este producto debe cumplir con todos los códigos locales. De no existir códigos locales, use el Código Nacional de Gas Combustible. ANSI.NFPA 58 o Código de instalación de gas natural y propano, CSA B149.1; Almacenamiento y manejo de propano, CSA B149.2.
- ⚠ Este equipo no está destinado para instalarse en una lancha o vehículo recreativo.
- ⚠ El equipo no debe colocarse debajo de una construcción sin protección aérea para combustible.
- ⚠ Este equipo no está destinado ni debe para usarse como calefactor.
- ⚠ Este equipo estará caliente durante y después de utilizarse. Use guantes aislantes para horno como protección contra superficies calientes o salpicaduras de líquidos que esté cocinando.
- ⚠ Este aparato no está destinado para uso comercial.
- ⚠ Se debe utilizar el regulador de presión que viene con el Asador de gas Cuisinart.

## 2. Lista de piezas ilustradas

1.		Tapa y fogón	1 pc
2.		Conjunto de patas del asador	1 pc
3.		Rejilla para cocinar	1 pc
4.		Bandeja de goteo	1 pc
A.		Tornillo M6x12	2 pcs
B.		Roldana M6	6 pcs
C.		Tuerca M6	2 pcs
D.		Roldana (doble lado cinta)	2 pcs

# Cuisinart®

Outdoor Grilling Products

## ASADOR PORTÁTIL DE GAS LP

MODELO: CGG-200

### INSTRUCTIVO DE INSTALACIÓN Y FUNCIONAMIENTO



#### **⚠️ ADVERTENCIA: SÓLO PARA USO AL AIRE LIBRE**

- ⚠️ Este manual de instrucciones contiene información importante y necesaria para instalar correctamente y utilizar de manera segura el equipo.
- ⚠️ Lea y siga todas las advertencias e instrucciones antes de instalar y utilizar el equipo.
- ⚠️ Siga todas las advertencias e instrucciones cuando utilice el equipo
- ⚠️ Conserve este manual como referencia futura.

**Aviso para la persona que lo instale:** Entregue este Manual del usuario al consumidor después de la entrega y/o instalación.

**Aviso para el cliente:** Guarde este Manual del usuario en un lugar conveniente como referencia a futuro.

#### **⚠️ PELIGRO**

1. No almacene ni use gasolina u otros líquidos inflamables cerca de este o de cualquier otro equipo.
2. Un cilindro de gas LP que no esté conectado para utilizarse no debe almacenarse cerca de este o cualquier otro equipo.

#### **⚠️ PELIGRO**

Si percibe un olor a gas:

1. Cierre el paso de gas del equipo.
2. Apague cualquier fuego expuesto.
3. Abra la tapa.
4. Si el olor persiste, manténgase alejado del equipo y llame de inmediato al departamento de bomberos..

#### **⚠️ PELIGRO**

Hacer caso omiso de estas instrucciones puede tener como resultado un incendio, explosión o riesgo de quemadura, lo que puede ocasionar daños materiales, lesiónes personales o la muerte.



#### **⚠️ PELIGRO**

1. Nunca desatienda el equipo cuando esté funcionando.
2. Nunca ponga a funcionar este equipo en un radio de 10 pies (3.05m) de distancia de otro cilindro de gas.
3. Nunca ponga a funcionar este equipo en un radio de 25 pies (7.5m) de distancia de algún líquido inflamable.
4. Si se produce un incendio, manténgase alejado del equipo y llame de inmediato al departamento de bomberos. No intente apagar con agua un fuego causado por petróleo o grasa.
5. Los líquidos calientes se mantienen a temperaturas de escaldado mucho después de cocinar. Nunca toque un equipo para cocinar hasta que el líquido se haya enfriado a 115o F (45o C) o menos.

#### **⚠️ PELIGRO**

Hacer caso omiso de estas instrucciones puede tener como resultado un incendio, explosión o riesgo de quemadura, lo que puede ocasionar daños materiales, lesiones personales o la muerte.

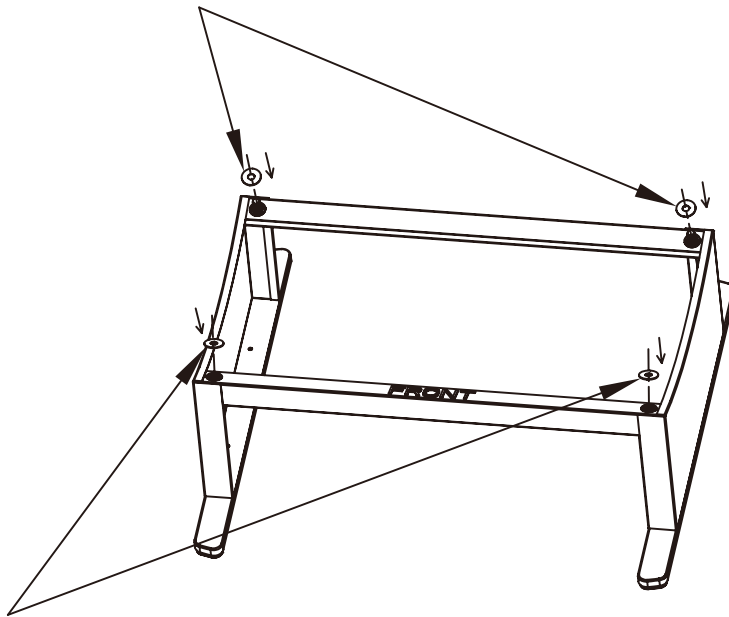


## 4. Instrucciones de instalación

¡Extraiga todo el contenido del paquete y cerciórese de tener todas las piezas antes de comenzar a instalar!

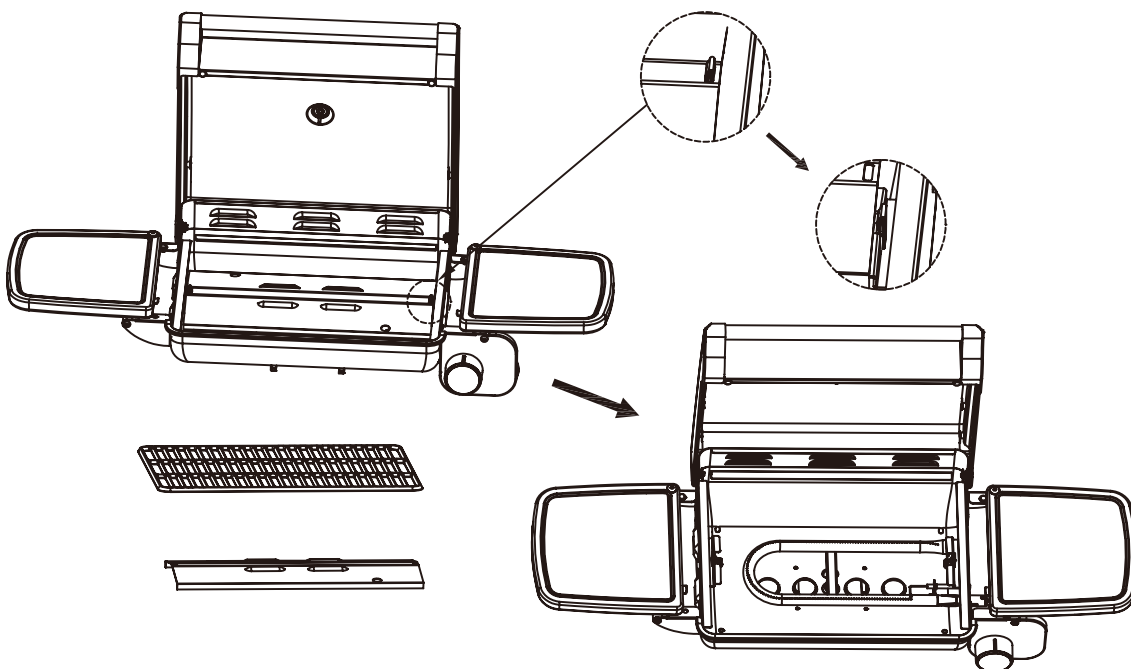
### Paso 1:

Fije las rondanas de doble cara adhesiva en las cuatro esquinas



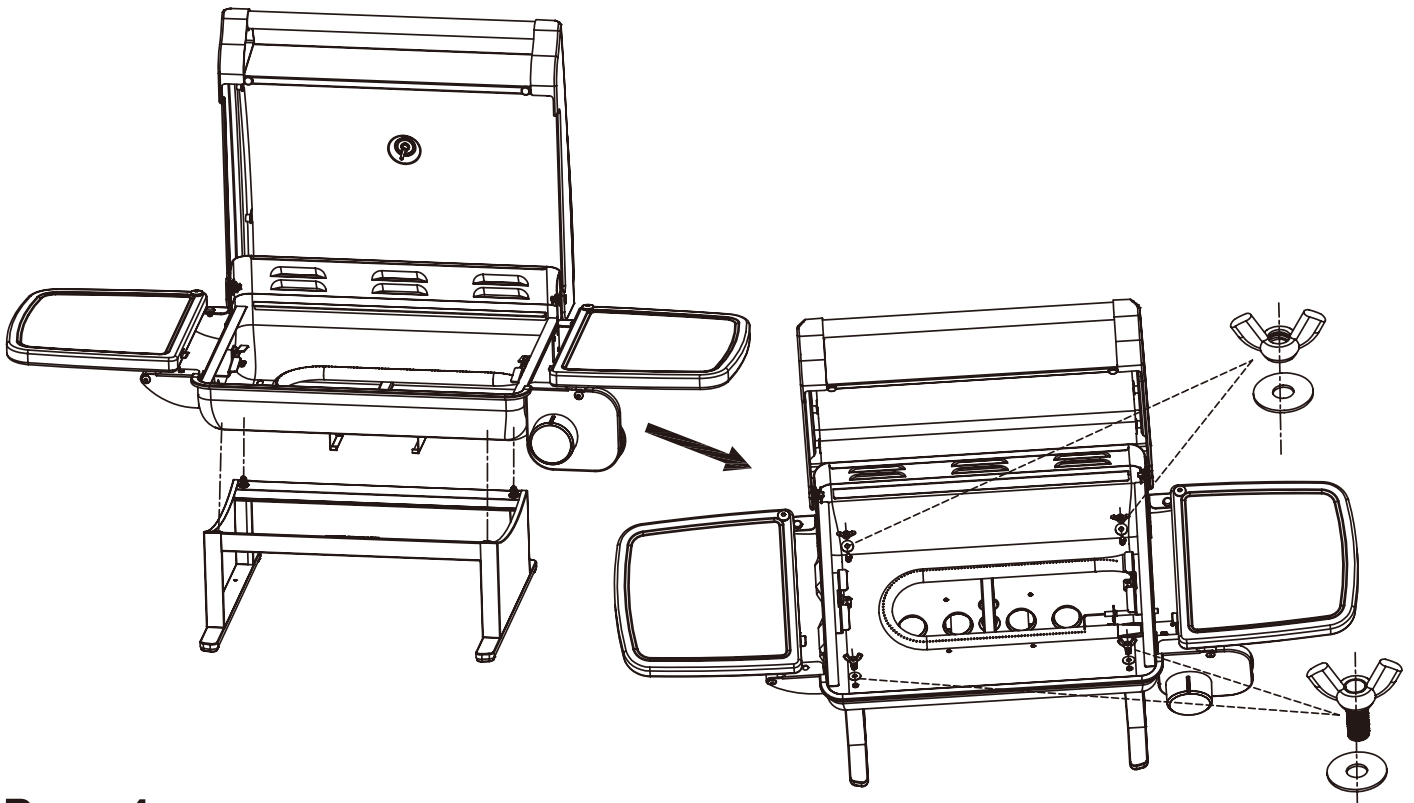
### Paso 2:

Retire la parrilla y el difusor de calor



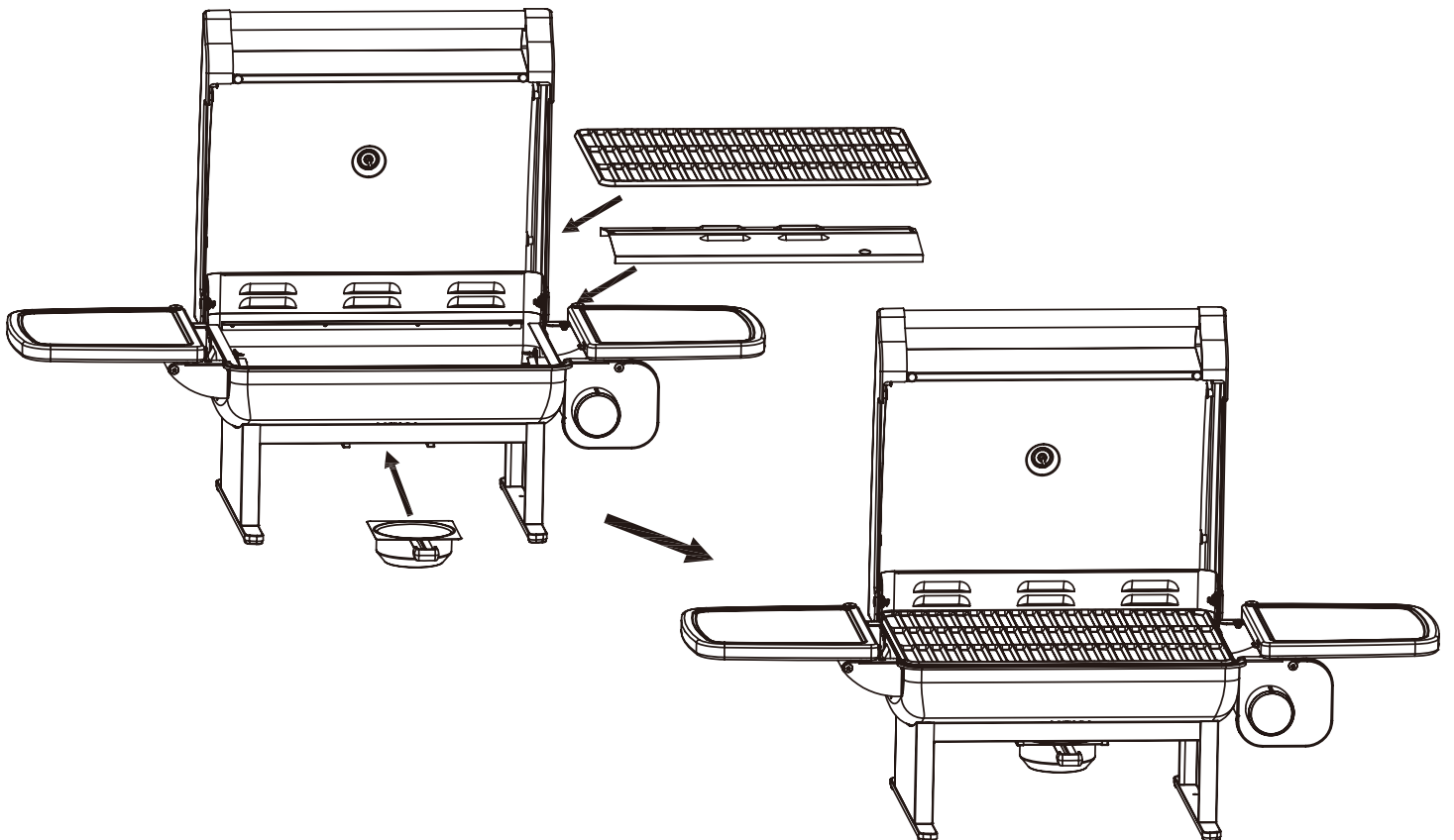
### Paso 3:

Fije el ensamblaje de las patas de asador a la parte inferior del ensamblaje de la tapa y el fogón utilizando rondanas y tornillos M6 al frente y tuercas atrás



### Paso 4:

Coloque el difusor de calor, la parrilla y la bandeja de goteo en el asador



## 5. Cómo funciona su asador

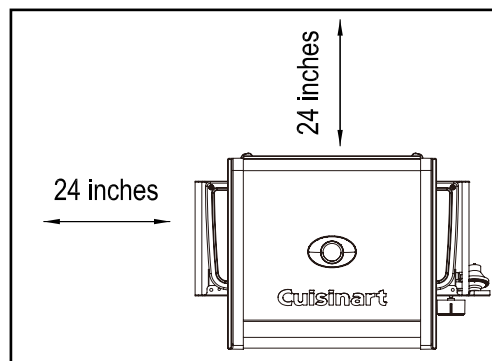
### 5.1 Selección del lugar adecuado

Una vez que arme su asador nuevo, busque un lugar adecuado para usarlo.

**Aviso:** El uso e instalación de este producto debe cumplir con todos los códigos locales. De no existir códigos locales, use el Código Nacional de Gas Combustible. ANSI.NFPA 58 o Código de instalación de gas natural y propano, CSA B149.1; Almacenamiento y manejo de propano, CSA B149.2.

#### PELIGRO

1. Nunca utilice este asador dentro de algún edificio, garaje, cobertizo o corredor techado o bien, dentro de una lancha, remolque o vehículo recreativo, para evitar incendios potenciales o la posibilidad de envenenamiento o asfixia por monóxido de carbono.
2. Siempre coloque el asador sobre una superficie sólida y apartado de materiales y estructuras combustibles.
3. No utilice este asador debajo de superficies combustibles aéreas o áreas cubiertas (a saber, toldos, sombrillas, porches, o kioscos). Mantenga todas las superficies combustibles al menos a 24" (61cm) de distancia.
4. Coloque el asador apartado de cualquier construcción o material combustible o no combustible, al menos 24 pulgadas (61cm) de sus lados posterior y laterales. (Vea el diagrama a continuación)
5. Nunca almacene gasolina u otras sustancias inflamables o volátiles cerca de este asador o cerca de cualquier otro equipo que genere calor para evitar el riesgo de iniciar un incendio.
6. Debe desconectar el cilindro si no va a utilizar el equipo.



### 5.2 Instrucción especial para utilizar el Regulador y el Cilindro de propano

Es necesario un cilindro de gas propano para el funcionamiento. Utilice un cilindro de propano de 14.1 oz. o de 16.4 oz.

- Este asador Cuisinart está equipado con un regulador que tiene un dispositivo de conexión de cilindros CGA No. Sólo debe utilizar cilindros marcados con la palabra "**PROPANO**". de 14.1 oz. o 16.4 oz.
- El cilindro de propano debe estar construido y etiquetado de acuerdo a la especificación para cilindros de gas LP del Departamento de Transporte (DOT) o la norma nacional de Canadá, CAN/CSA-B339, Cilindros, esferas y tubos para el transporte de productos peligrosos.
- Guarde los contenedores de combustible de repuesto en un área ventilada y apartada del asador.
- No perforo o queme el contenedor de combustible.
- Si no se utiliza el asador, la perilla de control debe estar en la posición "OFF" para cortar el paso del gas del cilindro.
- No almacene un cilindro de propano de repuesto debajo o cerca de este asador. Nunca llene el cilindro a más del 80 por ciento de su capacidad Si no sigue exactamente esta instrucción, puede producirse un incendio que provoque la muerte o una lesión grave.
- Guarde la tapa del cilindro y vuélvala a instalar si no lo utiliza.
- Debe arreglar el sistema de suministro del cilindro para la extracción de vapor. No bloquee la válvula de descarga de presión durante el uso o el almacenamiento.
- Siempre quite el cilindro de gas LP del asador si lo va a transportar o no lo está utilizando.

## 5.3 Instalación del cilindro de gas

(El cilindro de gas propano no viene con el aparato).

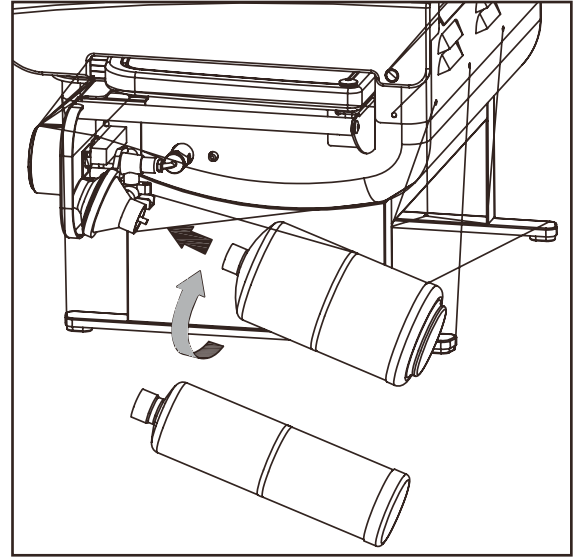
Debe obtener un cilindro de gas que cumpla con los requisitos que figuran en la sección 4.2 para poder poner en funcionamiento el asador. Conecte el cilindro LP al asador solamente cuando esté al aire libre.

Lea y siga todas las instrucciones que se indican en el cilindro.

1. Ponga la perilla de control del quemador en la posición "OFF".
2. Retire las tapas protectoras de la válvula del cilindro y la tuerca de acoplamiento, en caso de que existan.
3. Abra la tapa del asador y pliegue el estante del lado derecho del asador sobre la rejilla del asador.
4. Con una mano, coloque la manija del asador cerca del regulador, con la otra mano inserte el cilindro en el conector roscado del regulador y gire hacia la derecha hasta apretarlo.
5. **APRIETE SÓLO CON LA MANO.** No utilice herramientas.

### EXTRACCIÓN DEL CILINDRO DE GAS

1. Ponga la perilla de control del quemador en la posición "OFF".
2. Con una mano, coloque la manija del asador cerca del regulador, y gire el cilindro hacia la izquierda hasta desprenderlo.

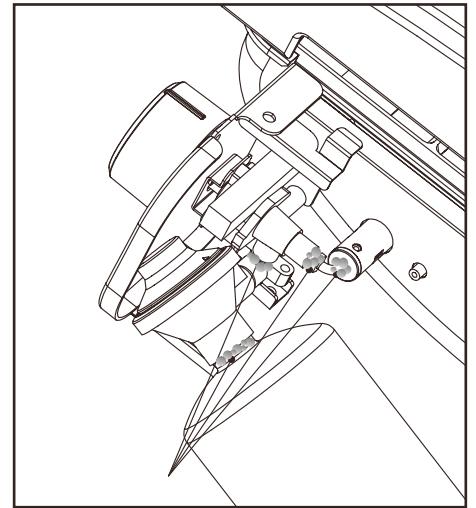


## 5.4 Comprobación de fugas

### **⚠ PELIGRO**

**Compruebe fugas en el sistema de gas para evitar riesgos de incendio o explosión.**

1. Debe efectuar la "Comprobación de fugas" antes de encender el asador y cada vez que conecte el cilindro.
2. No fume y evite otras fuentes de ignición en el área cuando efectúe la prueba de fugas.
3. Realice la prueba de fugas al aire libre, en un área bien ventilada.
4. No utilice fósforos, encendedores o llamas para comprobar fugas.
5. No use el asador hasta eliminar todas las fugas, si usted no puede eliminar una fuga, desconecte el suministro de propano y comuníquese con el servicio de aplicación de gas o con su proveedor local de gas propano.



### Método de verificación de fugas

1. Prepara una solución para fugas de 2 a 3 oz. mezclando una porción de jabón líquido para lavar vajillas con tres porciones de agua.
2. Compruebe que la perilla de control está en la posición "OFF".
3. Rocíe o pinte un poco de la solución de fugas en la conexión del cilindro con el regulador.
4. Inspeccione la solución y las conexiones en busca de burbujas. If no bubbles appear, the connection is secure.
5. Si aparecen burbujas, se ha detectado una fuga. Prosiga con el paso 6.
6. Desconecte el cilindro del regulador, luego vuelva a conectarlo. Compruebe que la conexión es segura y ni existen fugas antes de utilizar el asador.
7. Si siguen apareciendo burbujas, **NO UTILICE EL ASADOR.** Repita el proceso anterior con otro cilindro LP. Si las fugas persisten contacte al centro de servicio al cliente.

## 5.5 Instrucciones de encendido

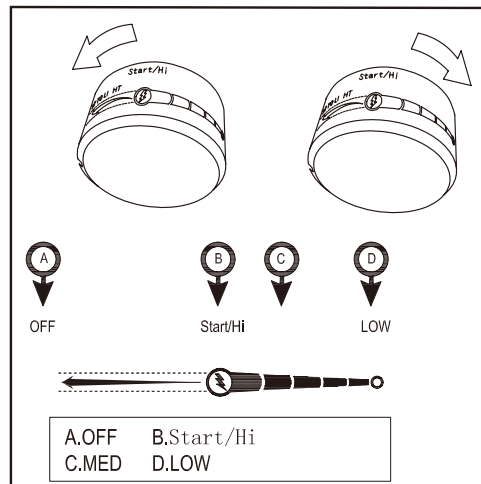
1. Lea todas las instrucciones antes de encender.
2. Abra la tapa durante el encendido.
3. Compruebe que la perilla de control del gas está en la posición "OFF".
4. Desdoble las tablillas laterales a la posición abierta.
5. Presione la perilla de control del gas y gírela rápidamente hacia la izquierda a la posición "HIGH". El encendedor hará un chasquido y encenderá el quemador.
6. Si el encendido no se produce en 5 segundos, gire a apagado la perilla de control, espere 5 minutos y repita los pasos del 2 al 5. \*Clean your grill after each use. See Section 5.3 for instructions

\* Antes de cocinar en este asador por primera vez, ponga en funcionamiento el asador durante aproximadamente 15 minutos, con la tapa cerrada y el suministro de gas en la posición "HIGH". Esto "limpiará con calor" las piezas internas y disipará el olor del acabado de pintura.

\* Si el quemador no enciende, gire la perilla de control del gas a la posición de apagado, espere 5 minutos para que desaparezca el gas e intente encenderlo otra vez.

\* Limpie su asador después de cada uso. NO utilice limpiadores abrasivos o inflamables.

Esto puede dañar las piezas de este producto y puede iniciar un incendio. Limpie con agua jabonosa tibia.



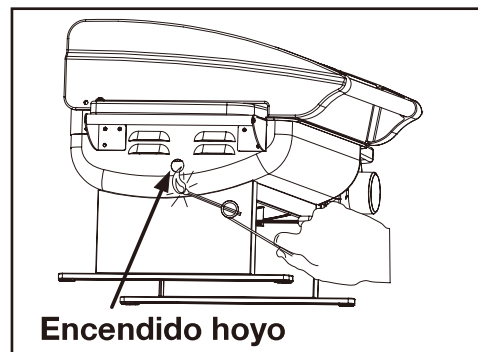
## 5.6 Encendido con fósforos

### ¡IMPORTANTE!

Existe un orificio para encendido con fósforos en el lado izquierdo del fogón.

#### Instrucciones de encendido con fósforos:

1. Lea todas las instrucciones antes de encender.
2. Abra la tapa durante el encendido.
3. Compruebe que la perilla de control del gas está en la posición "OFF".
4. Desdoble las tablillas laterales a la posición abierta.
5. Encienda un fósforo de madera e insértelo a través del orificio de encendido en la parte inferior del fogón. Aplique la llama cerca del borde inferior del quemador.
6. Presione y gire la perilla de control del quemador hacia la izquierda hasta el máximo.
7. El quemador debe encender. Debe existir flama alrededor del quemador. Permita que el asador se precaliente, con la tapa cerrada durante 2 a 3 minutos antes de cocinar.



### ⚠ PRECAUCIÓN:

No toque ninguna parte caliente del asador. La superficie exterior del lado inferior del asador se pone muy caliente durante el uso. Use guantes protectores para manipular cualquier parte que se ponga caliente durante el uso.

## 5.7 Utilización del asador

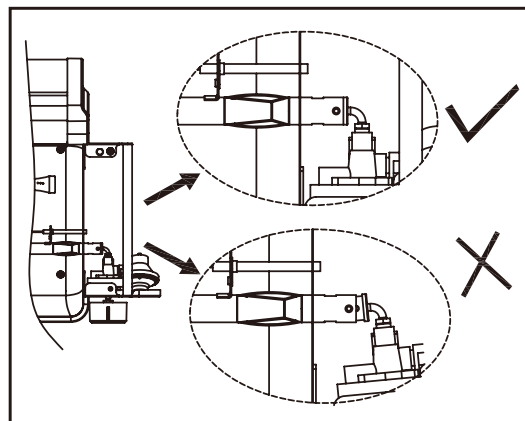
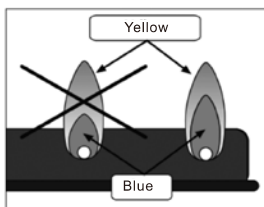
Inspeccione la flama del quemador, observando a través de los orificios de encendido con fósforos.

Una flama adecuada debe tener color azul con algunas puntas amarillas provenientes de los orificios del quemador. Las puntas amarillas en llamas de hasta 1/4" de altura son aceptables siempre que no haya evidencia de carbón o depósitos de hollín. During operation, stand to the side of grill when opening the grill lid.

Durante el funcionamiento, póngase a un lado del asador para abrir la tapa.

No exponga ninguna parte de su cuerpo directamente sobre el área donde está cocinando.

La abertura del quemador debe quedar colocada sobre los orificios de la válvula.



## 6. Cuidados y mantenimiento

### 6.1 Cuidados

El cuidado periódico de su asador lo mantendrá funcionando correctamente. Todo mantenimiento debe realizarse cuando el asador está frío y con el suministro de combustible inactivo. Inspeccione ocasionalmente y apriete todas las piezas y tornillos que estén flojos.

### 6.2 Limpieza del tubo Venturi

Los nidos de arañas o avispas dentro del Ventura pueden obstruir el flujo del gas e incluso ocasionar fuego en la válvula de control del gas. Este tipo de fuego puede producir lesiones al operario y daños importantes a su asador.

Para evitar problemas relacionados con insectos, inspeccione periódicamente la cubierta de malla del tubo Ventura y elimine cualquier suciedad.

### ¡ADVERTENCIA!

No desmonte o altere el sistema de suministro de combustible. La instalación incorrecta puede ser causa de una situación riesgosa. Busque asistencia profesional en caso de necesitar reparaciones.

### 6.3 Limpieza y mantenimiento

- **ADVERTENCIA: No limpie ninguna superficie del asador mientras esté en uso. Antes de limpiarlo, deje enfriar el asador a una temperatura segura.**
- Desconecte y quite el cilindro de suministro de combustible antes de limpiar.
- Debe limpiar donde el detergente no dañe la superficie de trabajo o el césped.

#### Limpieza externa

- Limpie las superficies externas del asador con agua jabonosa tibia. Puede limpiar la tapa de acero inoxidable y los estantes laterales con limpiador comercial de acero inoxidable.
- Limpie la bandeja de goteo con agua jabonosa tibia – no la limpie en una máquina lavaplatos.

#### Limpieza interna

- Puede limpiar la rejilla usando un cepillo para asador. Para obtener mejores resultados, la rejilla debe estar tibia (no caliente – nunca cepille si el asador está funcionando o si su interior está muy caliente). Si así lo desea, puede quitar la rejilla del asador cuando esté fría para limpiarla con agua jabonosa.
- Si desea quitar los residuos acumulados en el fogón, haga lo siguiente:
  - Deje que el asador se enfríe por completo
  - Quite la rejilla para cocinar y colóquela a un lado
  - Raspe y retire los residuos de la parte inferior del fogón, procurando no tocar el elemento del quemador, el encendedor o el cable del encendedor.
  - **ADVERTENCIA: NO APLIQUE NINGÚN TIPO DE LIMPIADOR O LÍQUIDOS AL ELEMENTO DEL QUEMADOR NI INTENTE LIMPIARLO DE NINGUNA MANERA. NO EMPLEE AGUA U OTROS LÍQUIDOS PARA LIMPIAR EL INTERIOR DEL ASADOR**
  - Vuelva a instalar el difusor de calor y el tornillo de sujeción. **PRECAUCIÓN: NO PONGA A FUNCIONAR EL ASADOR SI EL DIFUSOR DE CALOR NO ESTÁ COLOCADO EN SU SITIO.**

## 7.0 Garantía

Esta garantía cubre defectos de piezas y mano de obra durante un período de 3 años a partir de la compra original del producto. Cualquier daño relacionado con el esmaltado debe presentarse dentro de los 30 días a partir de la compra para tener derecho a cobertura de la garantía.

### **Las siguientes condiciones NO tienen la cobertura de esta garantía:**

- Irregularidades y variaciones de color en el recubrimiento de esmalte.
- Daño a causa de la mala instalación o caso omiso del manual.
- Uso de piezas de repuesto no proporcionadas por el fabricante.
- Daño a causa de modificaciones o uso inadecuado.
- Abuso del asador
- Daño a causa de mantenimiento incorrecto o reparaciones realizadas por una persona no autorizada.

### **Limitaciones y exenciones:**

1. Esta garantía procede sólo con el comprador original y no podrá transferirse.
2. Si usted no puede verificar la fecha de compra del asador, el período de la garantía comenzará a partir de la fecha de fabricación del asador.
3. Las piezas de repuesto o reparación están garantizadas para el período restante de la garantía de la pieza original.

### **Sus obligaciones:**

Este asador se debe armar, instalar, operar y mantener en conformidad con todos los códigos procedentes y con el manual de instrucciones que viene con el asador. Usted debe conservar en expediente la factura, cheque cancelado o registro de pago para verificar la fecha de compra del asador.

## **Para servicio al cliente, favor de comunicarse a:**

Distribuidor en Norteamérica:  
The Fulham Group  
Newton, MA 02466

**1-866-994-6390**

**[www.cuisinart.com](http://www.cuisinart.com)**

**Model # CGG-200**