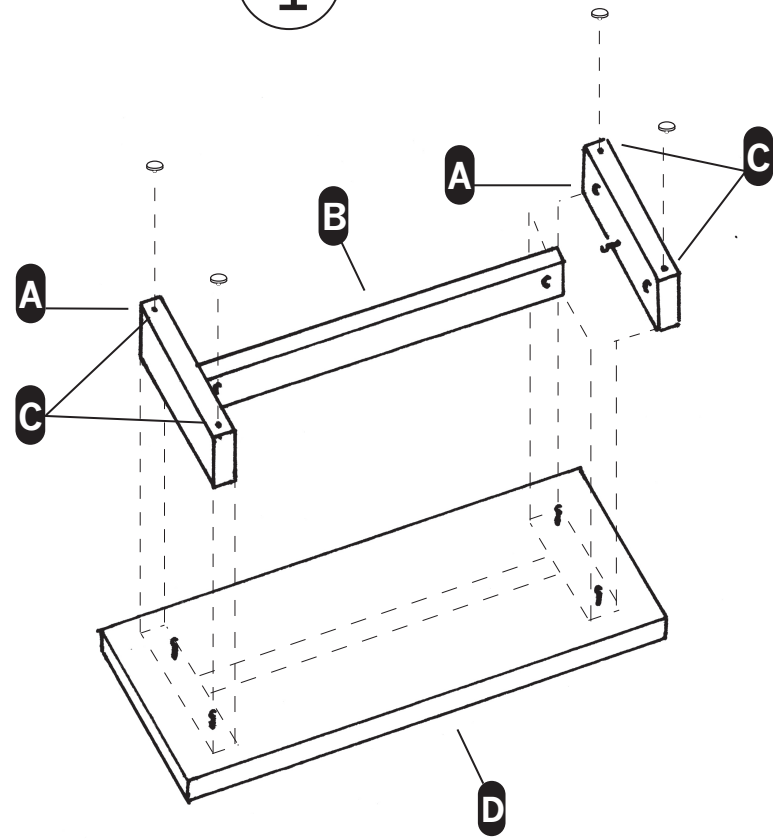
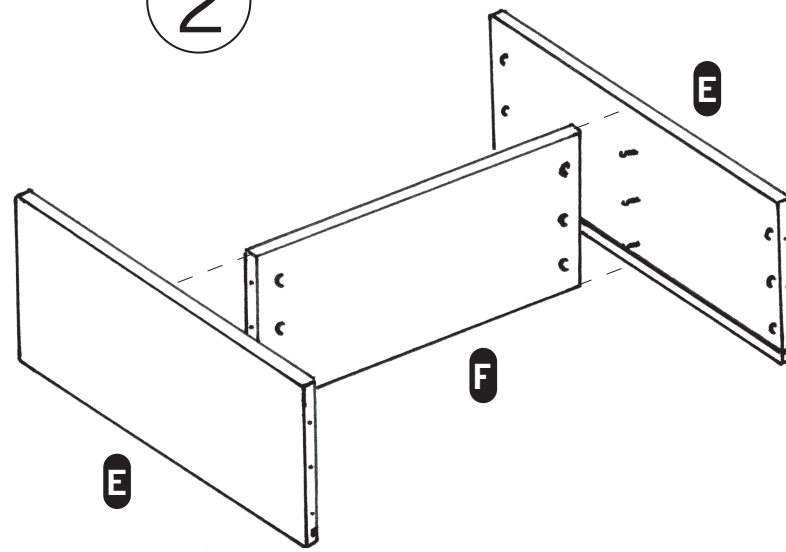


1

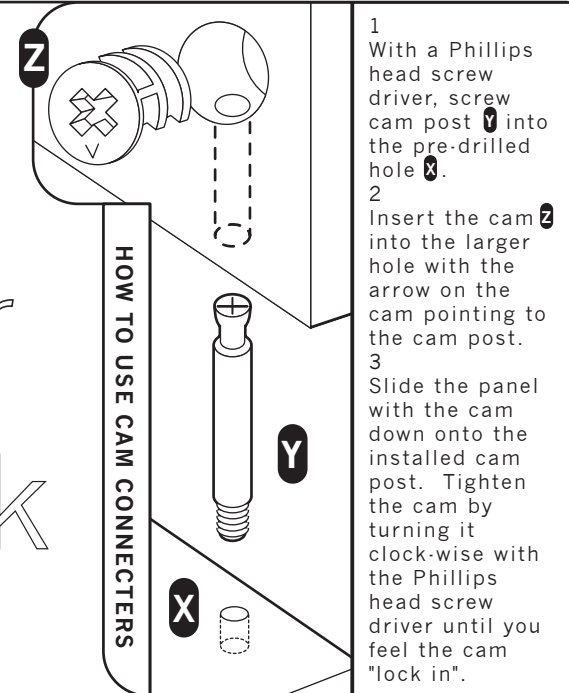


Tie one hand

2

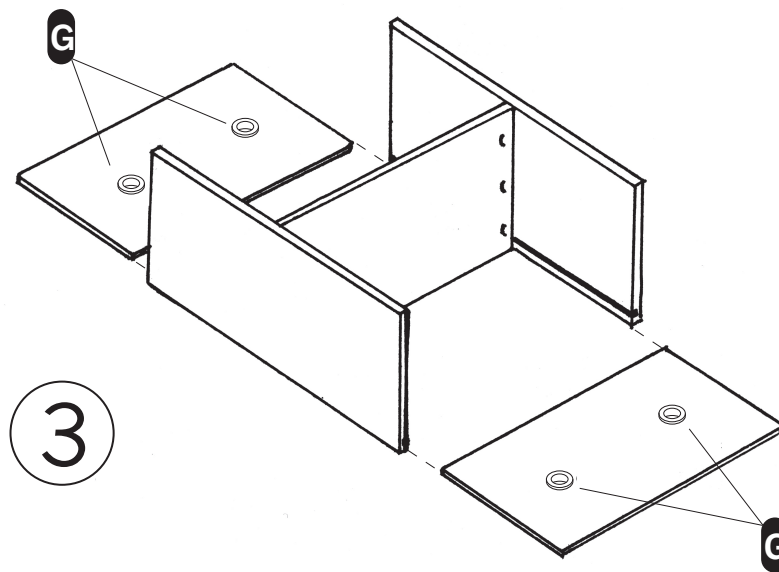


behind  
your  
back

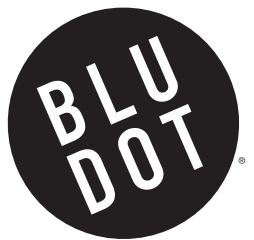
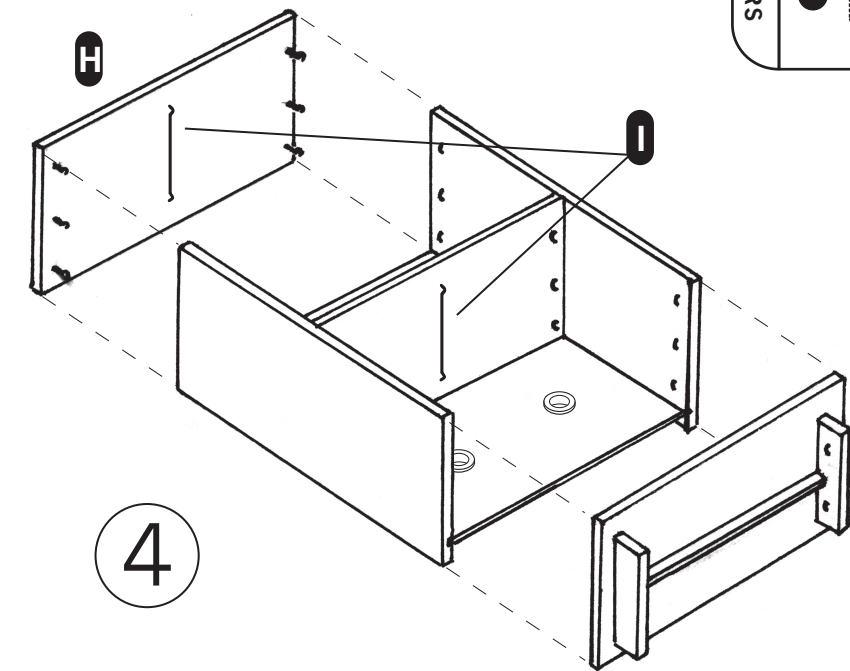


1 With a Phillips head screw driver, screw cam post **Y** into the pre-drilled hole **X**.  
2 Insert the cam **Z** into the larger hole with the arrow on the cam pointing to the cam post.  
3 Slide the panel with the cam down onto the installed cam post. Tighten the cam by turning it clock-wise with the Phillips head screw driver until you feel the cam "lock in".

3



4



Assemble on carpet or protective mat.  
Before beginning, familiarize yourself with using cam connectors. (see insert right corner)

- 1 First screw a cam post into the small hole on the side of each foot **A**. Place two cams in the stretcher **B** so that the arrow points towards the end of the stretcher and turn the cams to the right until snug. Now, you know how cams work (a valuable skill). Locate the bottom panel **D**. This panel has holes drilled on both faces (the top panel has holes on only one side). Find the side with the groove. Place this side face down. Now with the other side facing up, screw cam posts into all four holes. Place cams into the four holes on the feet **A**. Attach feet/stretcher assembly to bottom panel by turning cams until snug. Push foot tacks into bottom side of the feet **C**. Turn this whole assembly over so it faces right side up, install six cam posts into the grooved side of the bottom panel and set aside.
- 2 Locate the two side panels **E** (the sides have grooves on the back long edge). Screw cam posts into the three holes in the middle of each side panel. Locate the shelf **F**. IMPORTANT: With panels

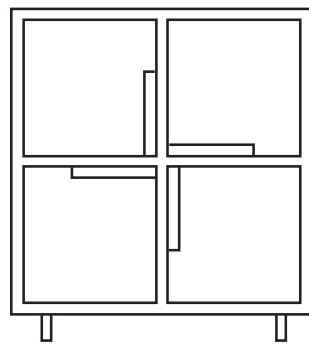
- oriented as in Sketch 2, fasten the shelf to one side panel by tightening cams. Attach the other side panel to the shelf and tighten cams. You should now have an "H" shaped assembly. IT IS IMPORTANT TO NOT MOVE THE "H" SHAPED ASSEMBLY UNTIL THE BACK PANELS, TOP AND BOTTOM ARE INSTALLED.
- 3 Install the black grommets **G** into the holes in the white back panels by squeezing them into place. Kinky, No? Slide the two white back panels into grooves as shown in Sketch 3.
- 4 Once the back panels are fully seated, take the bottom that you had set aside and attach it as shown in Sketch 4. Next attach the top **H** which is the only panel with no holes on one side. Tighten the cams. With a hammer, tap the swedish brackets **I** into the holes on the top of the base, bottom of top panel and both sides of the shelf. Tip the cabinet upright...Now the fun part!

REV 1 05.14.2007

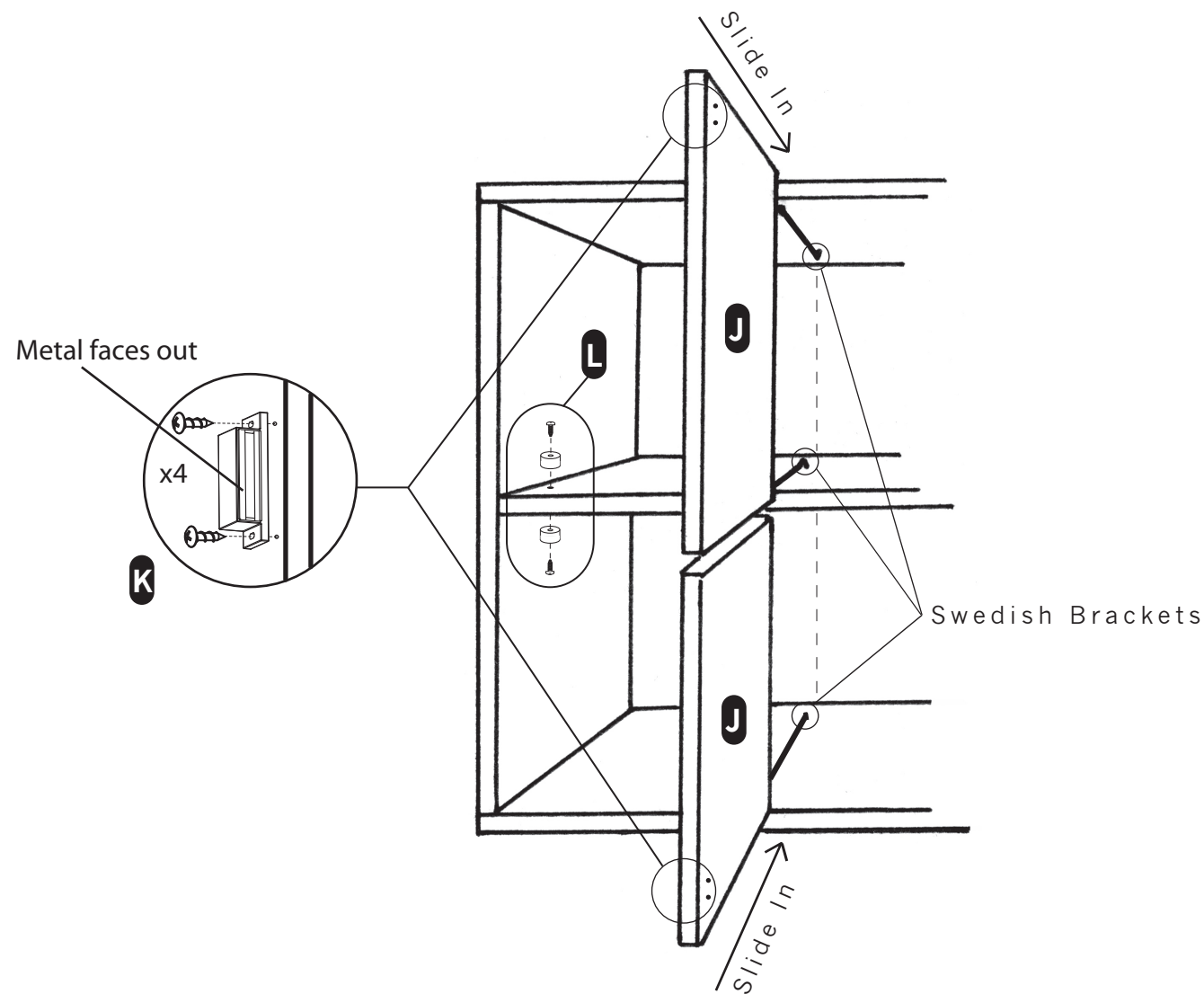
## HARDWARE INVENTORY



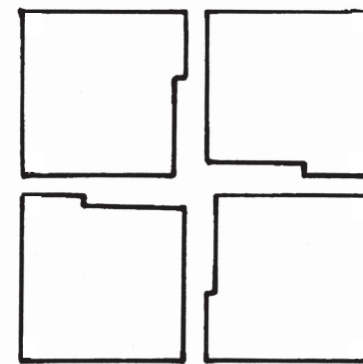
BLU DOT DESIGN AND MANUFACTURING, INC. copyright 2007.  
www.bludot.com / t. 612.782.1844 / f. 612.782.1845



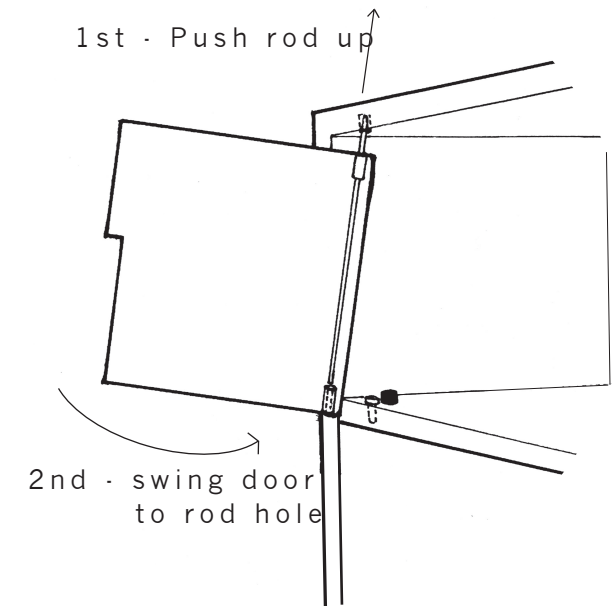
5



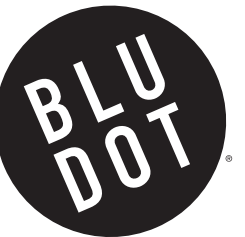
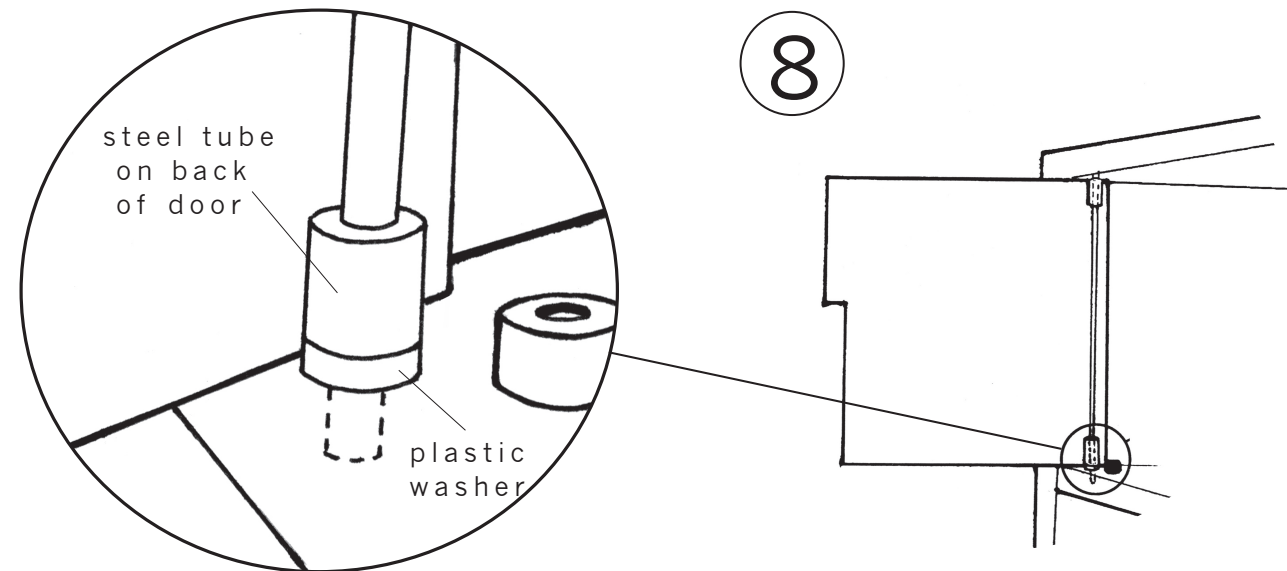
6



7



8



- 5 | It is now time to put in the vertical dividers **J**. The Swedish brackets slide into the grooves on the edges of the small dividers. Slide the divider in until the front edge is flush with the rest of the cabinet. Confused? See sketch 5. After the dividers are installed, use the eight short screws to fasten the mag catches **K** to the vertical dividers as shown. Screw black rubber bumpers into the small predrilled holes on the outsides of the shelf **L** using the four long screws.
- 6 | Lay out your steel doors on the floor face up to form the pattern shown in sketch 6. It is now time to install... Start with the upper left door.

- 7 | Take the door and slide the rod through both steel tubes on the back side of the door as shown in sketch 7. Slide a white plastic washer under the bottom tube on the door. Hold the rod and washer flush to the bottom of the tube with your index finger. Place the top of the rod into the hole on the underside of the top panel. Swing the bottom of the door into the cabinet.
- 8 | Align the rod and the washer over the bottom hole as shown in sketch 8 and drop the rod into the hole. Repeat for the remaining doors. Each door must have a white plastic washer on the bottom for proper door operation.
- Untie your arm and look at yourself in the doors. Happy?

REV 1 05.14.2007

WOOD COLOR OVER TIME: Air and daylight will naturally change the color of the wood. For most woods, this change is gradual and very slight. During the first several months, while the patina is developing, items placed on the wood should be rotated to different locations to prevent uneven coloration. Over time an even patina will develop.

BLU DOT DESIGN AND MANUFACTURING, INC. copyright 2007.  
www.bludot.com / t. 612.782.1844 / f. 612.782.1845