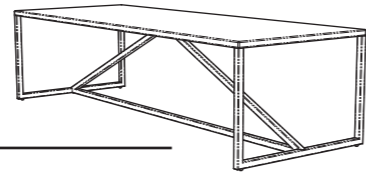
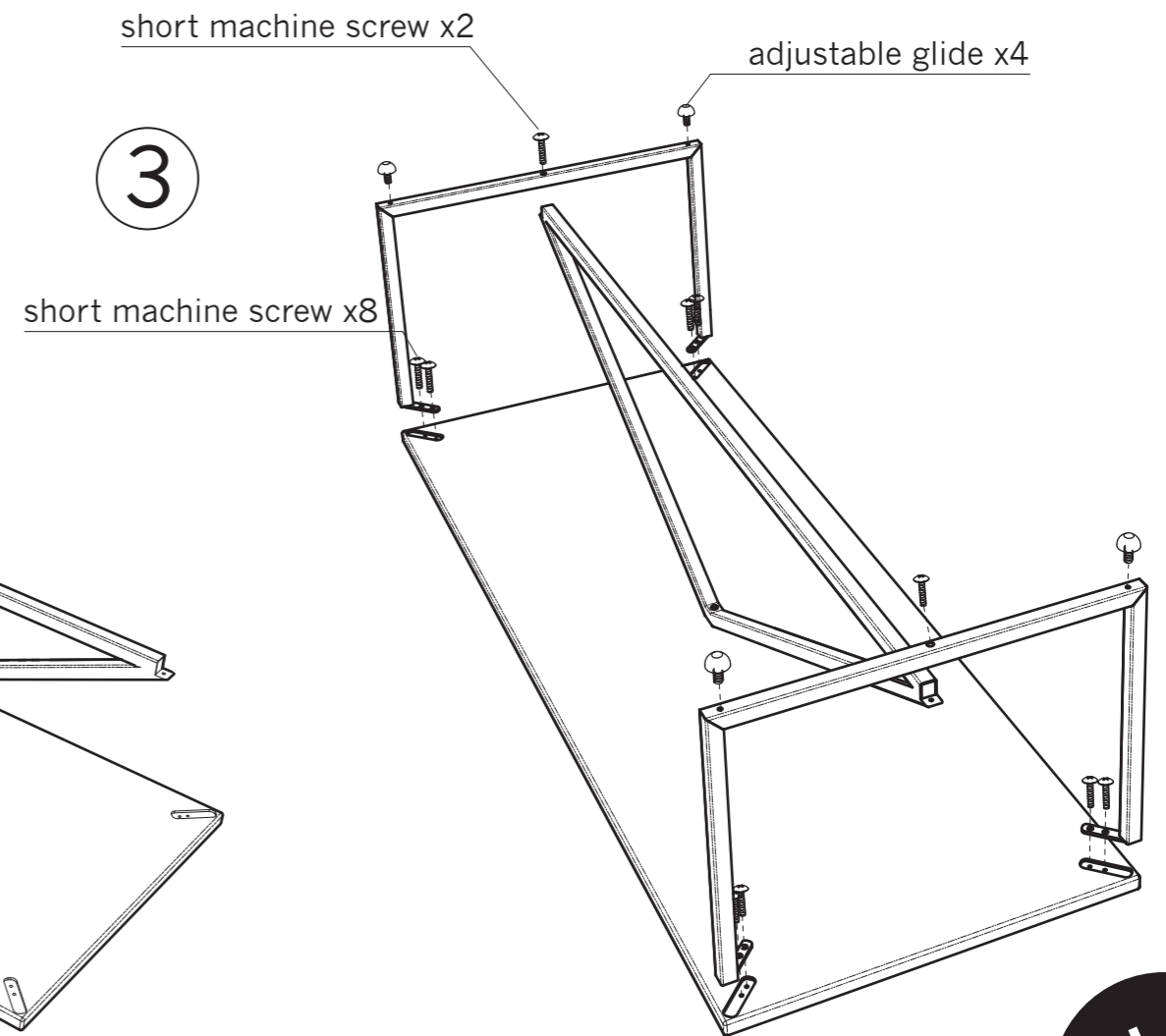
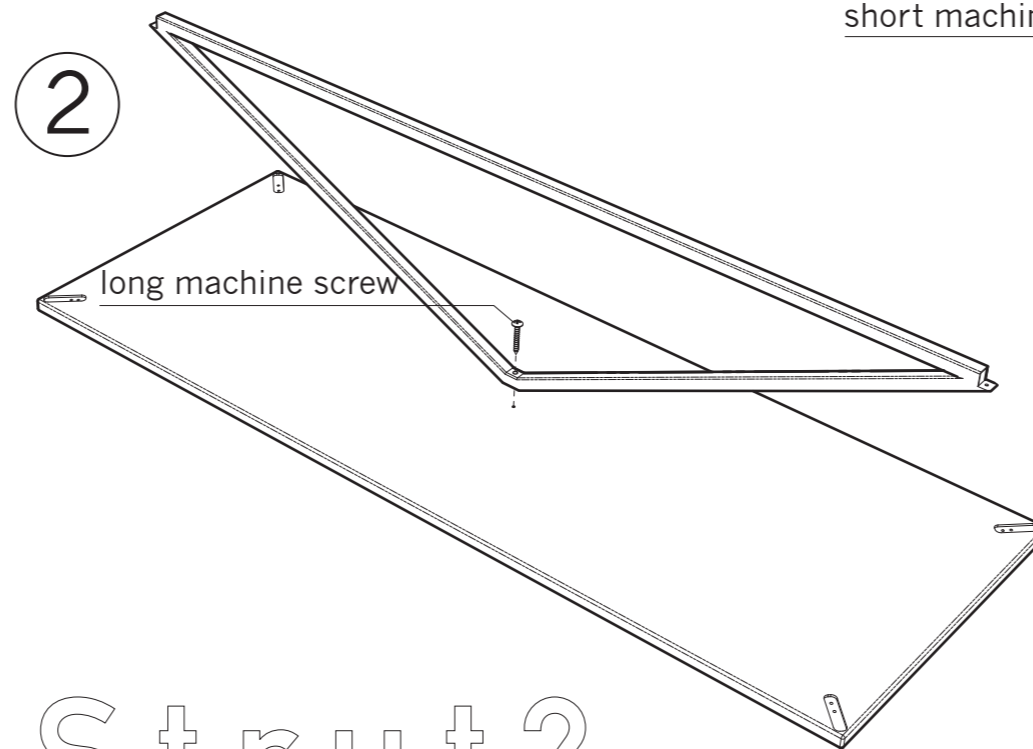
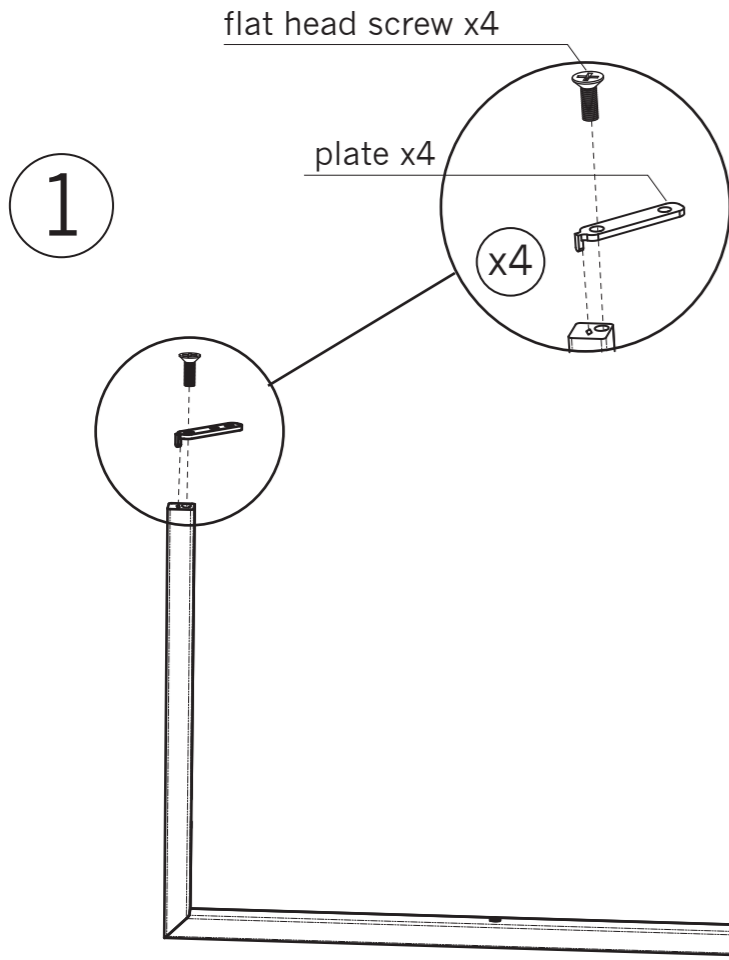


Assembly Notes

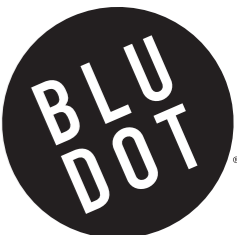


STRUT COFFEE TABLE

Are you



ready to Strut?



Assemble on carpet or a protective mat.

- 1 First, attach the plates to the legs. Orient the legs as shown in Diagram 1. Insert the tab on the plate into the rectangular slot in the end of the leg. Using a phillips screwdriver, screw the plate securely to the leg with a flathead screw. Repeat for each plate.
- 2 Second, attach the triangular strut to the table top with the long machine screw as shown in Diagram 2. Do not fully tighten the screw. Tighten it just enough so that the strut stands upright by itself.

- 3 Now, using eight short machine screws, attach the plates to the slots in the table top. Be sure to line up the legs so that they are flush with the edges of the table top. Do not overtighten the screws. Thread a short machine screw through the center hole in each leg and into both ends of the triangular strut. Now go back and firmly tighten all screws. Lastly, screw the four adjustable glides into the bottoms of the legs. With the help of a friend, flip the table onto its feet. Adjust the glides as necessary to level the table, and admire your reflection in the glossy surface. Aren't you pretty!

HARDWARE INVENTORY



1 long machine screw



10 short machine screws



4 flat head screws



4 adjustable glides

BLU DOT DESIGN AND MANUFACTURING, INC. copyright 2007.
www.bludot.com / t. 612.782.1844 / f. 612.782.1845

REV 3 2007.07.16

SEE CAM ASSEMBLY DETAIL