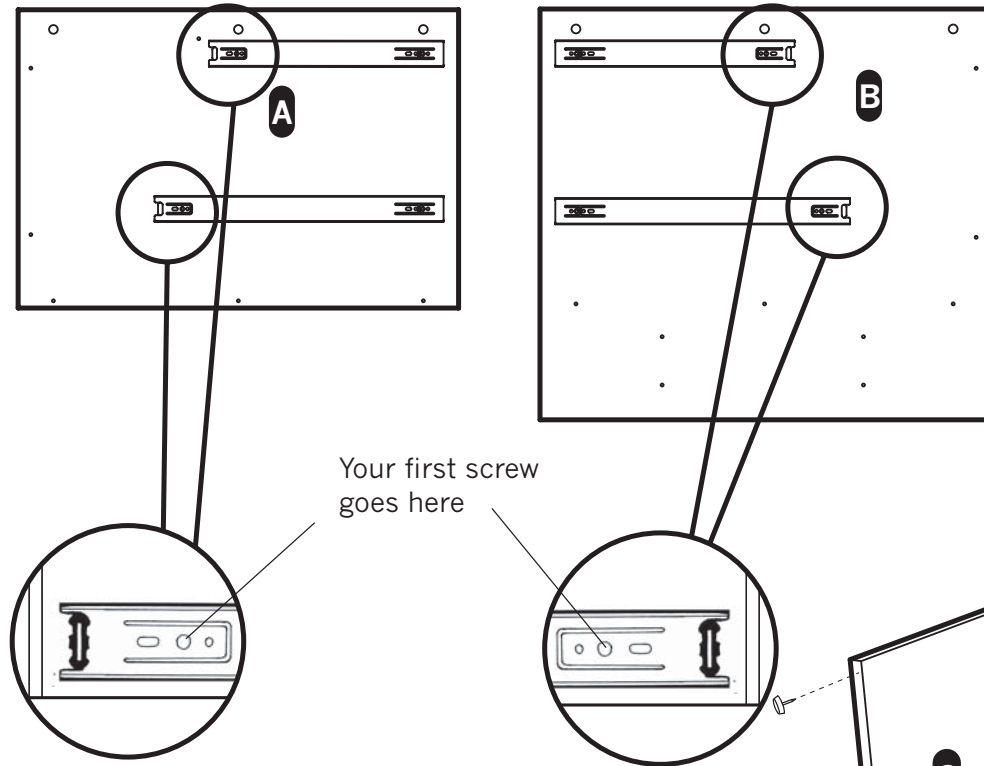
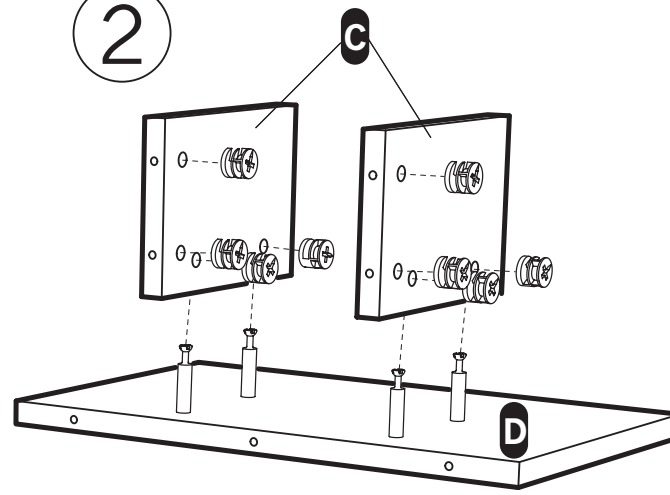


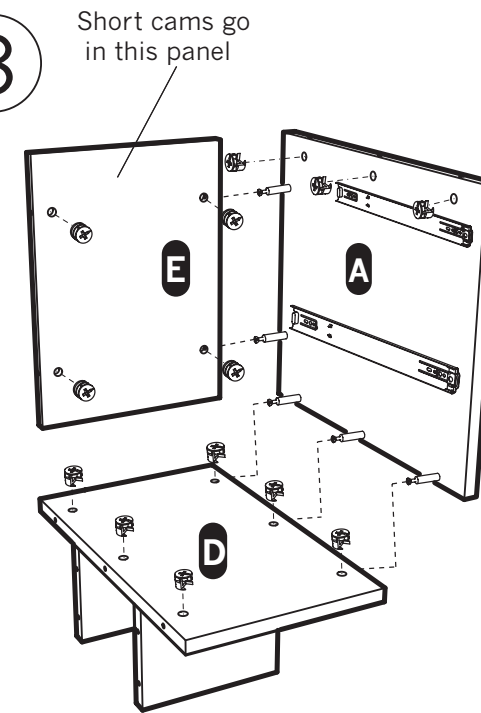
1



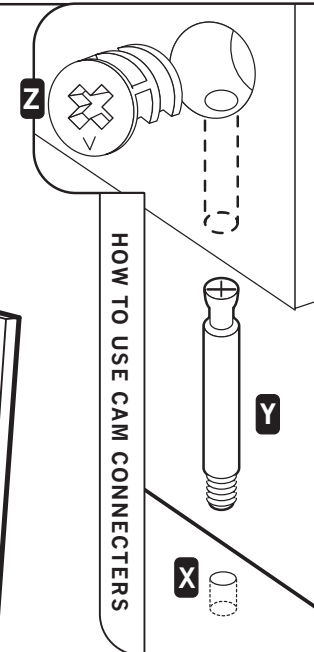
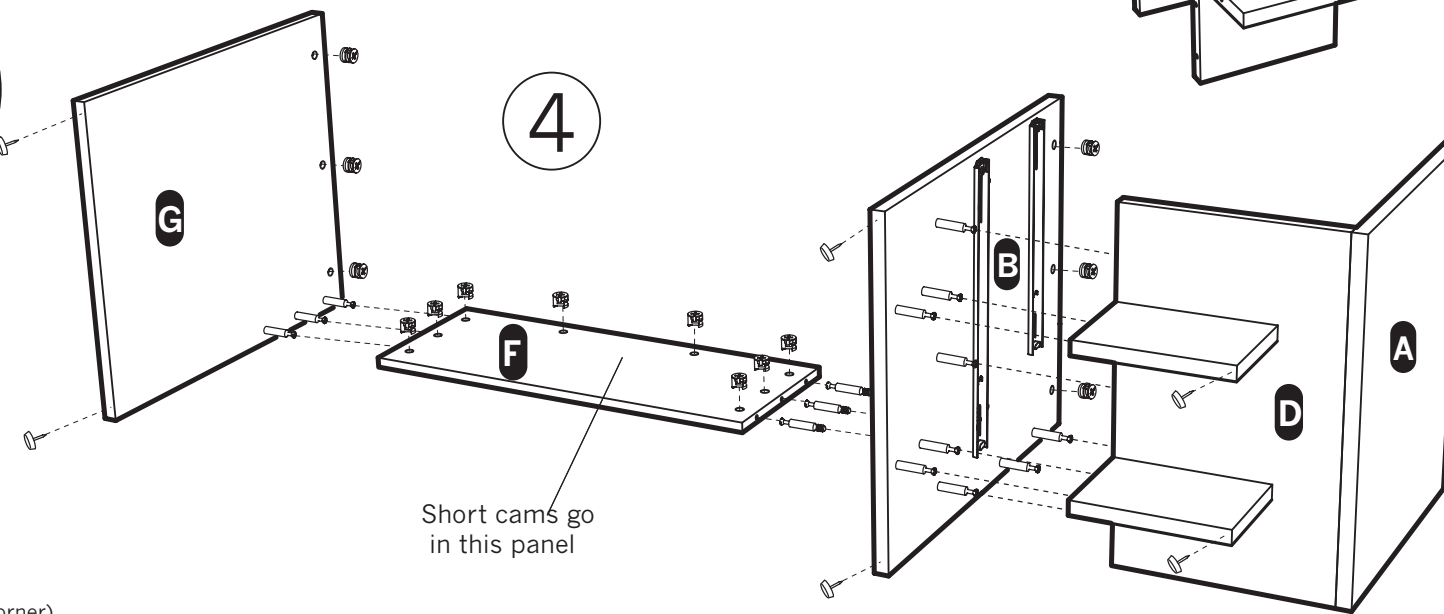
2



3



4



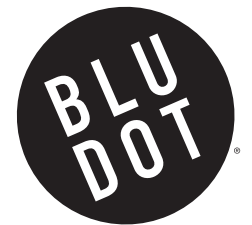
- 1 With a philips head screwdriver, screw cam post **Y** into the pre-drilled hole **X**.
- 2 Insert the cam **Z** into the larger hole with the arrow on the cam pointing to the cam post.
- 3 Slide the panel with the cam down onto the installed cam post. Tighten the cam by turning it clockwise with a philips head screw driver.

Your first screw goes here

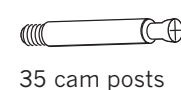
Short cams go in this panel

Assemble on carpet or protective mat.
Before beginning, familiarize yourself with using cam connectors. (see insert right corner)

- 1 First, attach the drawer slides to panels **A** and **B** with two short screws per slide. The open ends of the slides should be closest to the edges of the panels. See Diagram 1. Now screw six cam posts into panel **A**, and nine cam posts into panel **B**.
- 2 Second, locate panels **E** and **F**, they will be slightly thinner than the rest of the panels, and insert short cams into each. Now locate the two **C** panels and connect them to panel **D** as shown in Diagram 2.
- 3 Turn the assembly over, attach panel **A**, and then panel **E**. See Diagram 3.
- 4 Now, turn the assembly on it's back. Attach panels **B**, **F**, and **G** as shown. Then, tap the 6 plastic glides into the bottom edges of the panels. Refer to Diagram 4.

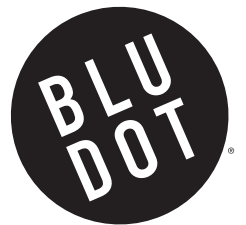
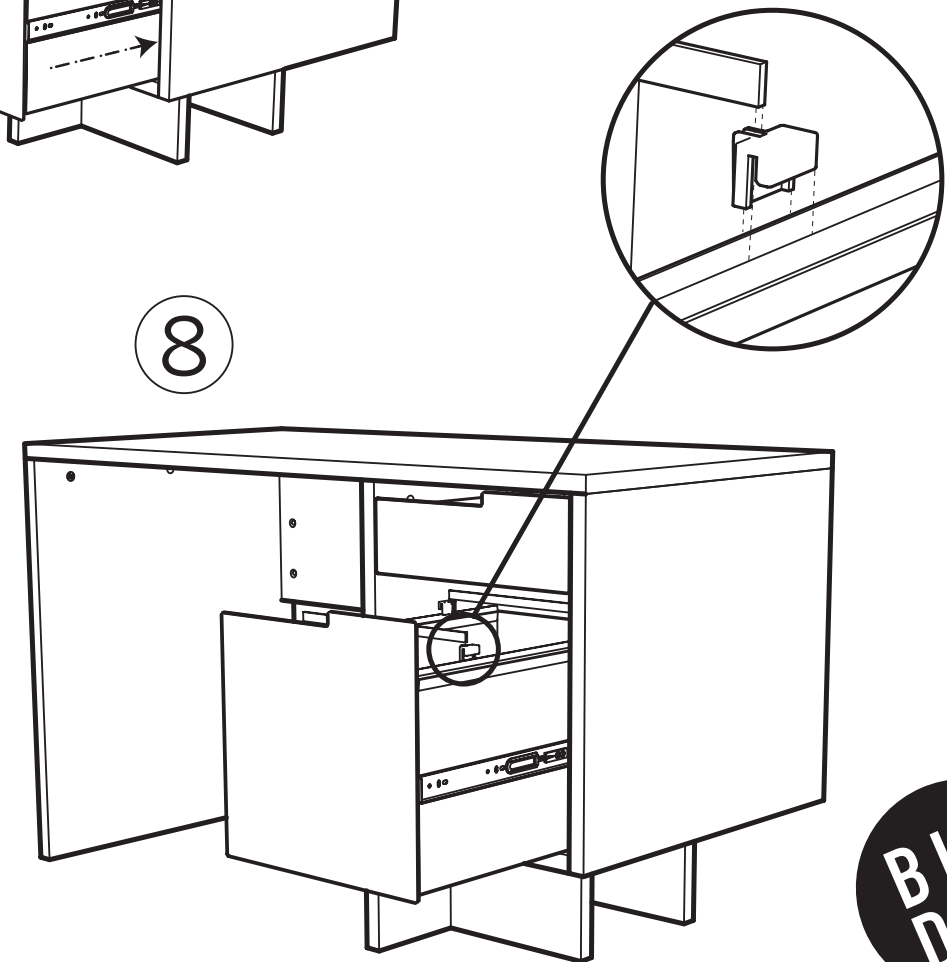
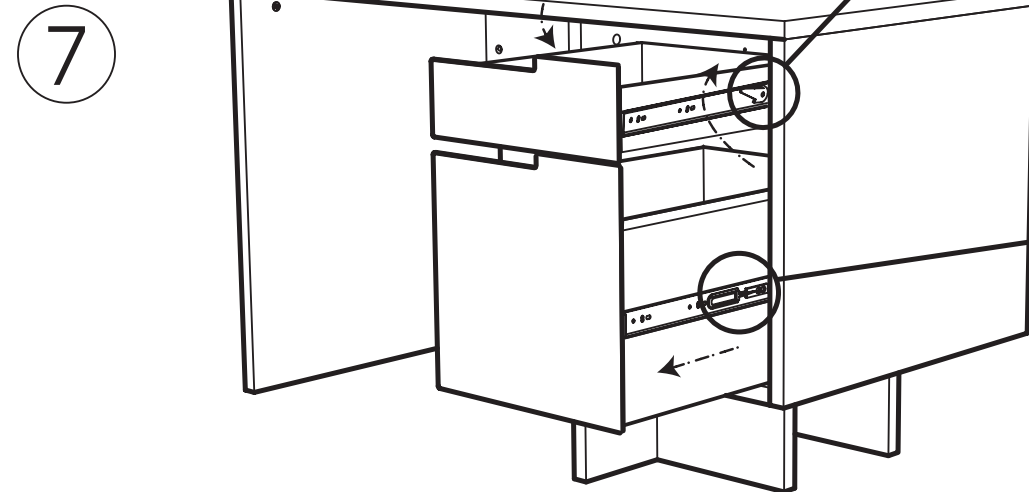
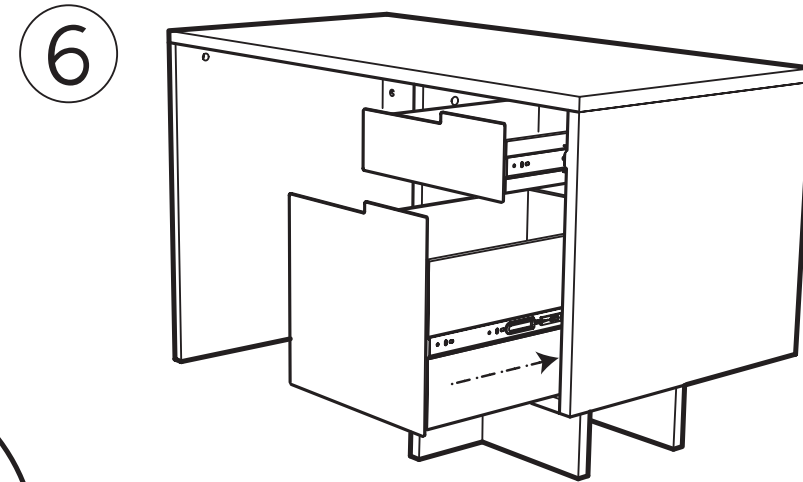
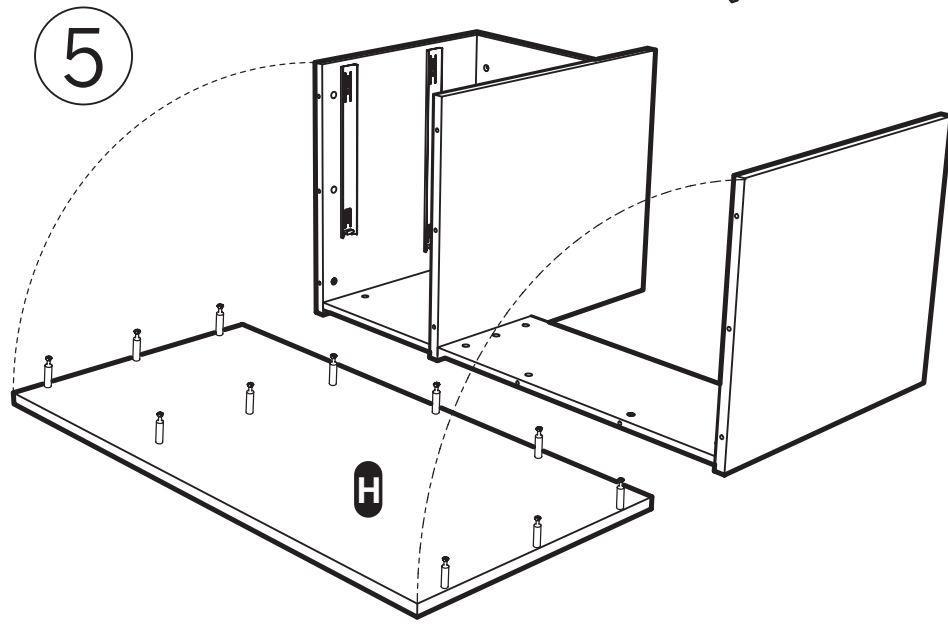
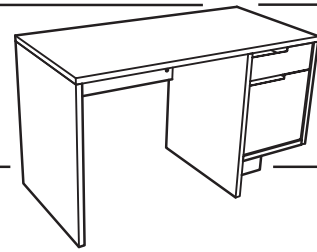


HARDWARE INVENTORY



WOOD COLOR OVER TIME: Air and daylight will naturally change the color of the wood. For most woods, this change is gradual and very slight. During the first several months, while the patina is developing, items placed on the wood should be rotated to different locations to prevent uneven coloration. Over time an even patina will develop.

BLU DOT DESIGN AND MANUFACTURING, INC. copyright 2007.
www.bludot.com / t. 612.782.1844 / f. 612.782.1845



- 5 On panel **H**, screw in eleven cam posts as shown in Diagram 5. Slide the panel on and tighten the cams. Turn the desk right side up.
- 6 Now insert the drawers. Fit the male drawer slides on the drawers into the female slides that you installed on the desk and push them closed.
- 7 To remove the pencil drawer lift the lever on the right side of the drawer, and push down the lever on the left side while pulling the drawer out. To remove the file drawer, pull the rings toward you and pull the drawer out. See Diagram 7.

- 8 Add the file hanging hardware into the file drawer. First, push one black strip onto each side of the drawer body with the raised side of the strip toward the inside of the drawer. Letter files can be hung from the strip. In order to hang legal files you will have to add the bars and clips as shown in Diagram 7.

*To adjust the reveals on the drawer fronts, loosen the acorn nuts on the inside of the drawer, move drawer front into place, and retighten.

REV 1 2007.02.12

WOOD COLOR OVER TIME: Air and daylight will naturally change the color of the wood. For most woods, this change is gradual and very slight. During the first several months, while the patina is developing, items placed on the wood should be rotated to different locations to prevent uneven coloration. Over time an even patina will develop.

BLU DOT DESIGN AND MANUFACTURING, INC. copyright 2007.
www.bludot.com / t. 612.782.1844 / f. 612.782.1845