

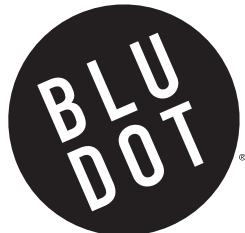
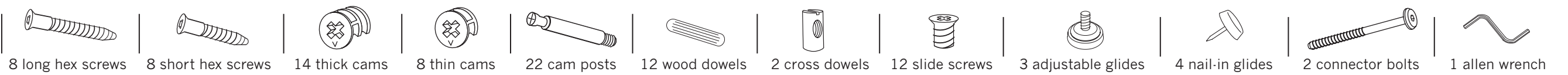
Assemble on carpet or protective mat.

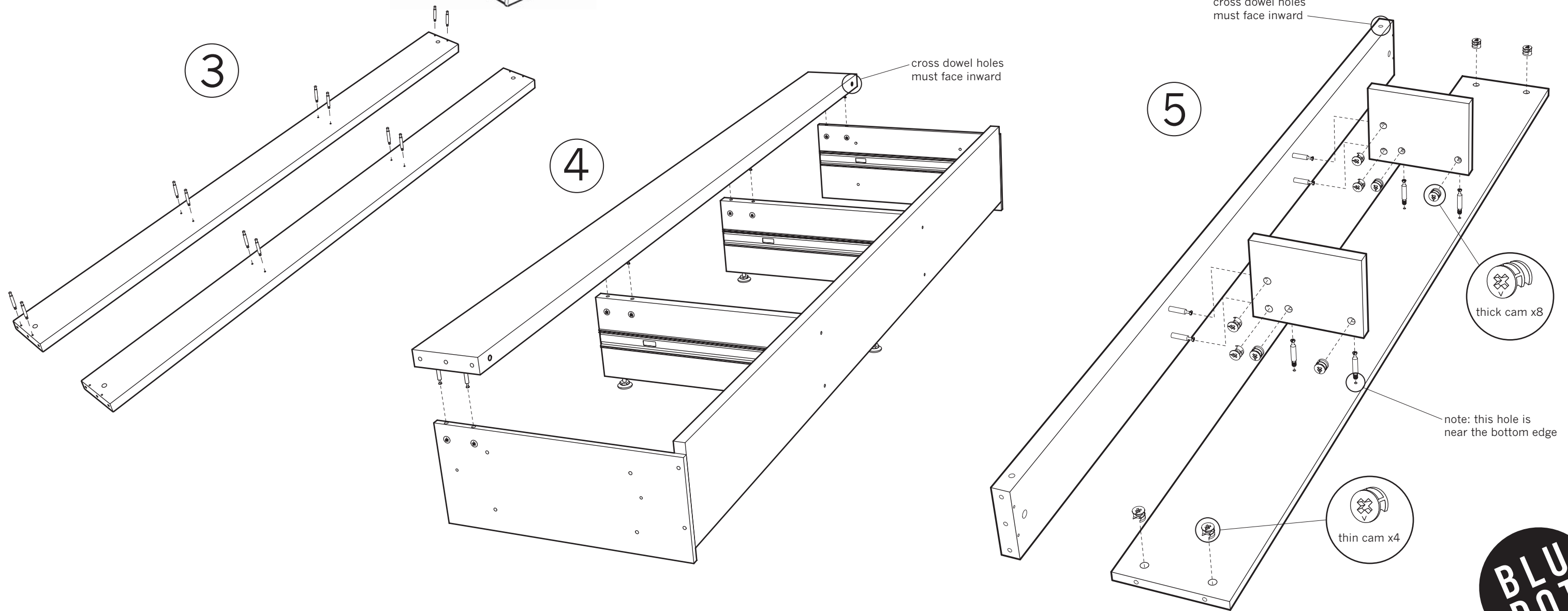
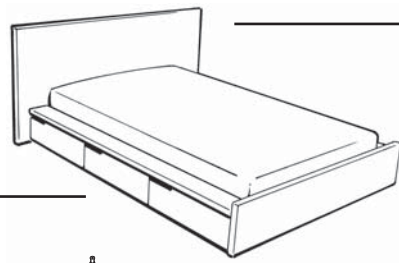
1 Lay out two **A** panels and two **B** panels exactly as shown in diagram 1. Note that holes for cams are at the front of the panels and that the rear of the drawer slides have a rubber bumper. Attach the slides to the panels by lining up the largest round hole towards the back of the slide with hole toward the back of the **A** and **B** panels, refer to diagram 1, and attach with a slide screw. Panel **B** receives a slide on both sides. Next, slide the inner portion of the slide forward until the window reveals the large diameter hole toward the front of the slide. Align that hole with the hole toward the front of the **A** and **B** panels and screw in another slide screw. Then insert two thick cams into each **B** panel and two thin cams into each **A** panel (the cam holes on one **A** panel should be facing down as shown in diagram 1).

2 Orient **A**, **B**, and **C** panels as shown in diagram 2. **A** and **B** panels' cams must face out and down. The edge in panel **C** with a hole in the center for the adjustable glide must face up. Now, using the long hex head screws and the allen wrench provided, join the five gray panels as shown in diagram 2. Notice how the panels will relate to one another. **A** panels will be offset from panel **C**. **B** panels will be flush with panel **C** at one edge. Next, take three adjustable glides and screw them into the **B** and **C** panels.

REV 0 2006.04.20

HARDWARE INVENTORY

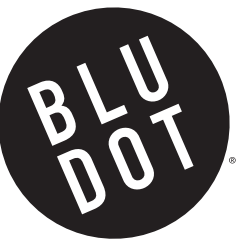




Assemble on carpet or protective mat.

- 3 | Locate the two side rails (they are identical long wood panels). Then take eight cam posts and screw them into one side rail and screw four cam posts into the other side rail as shown in diagram 3.
- 4 | Flip the assembled gray panels over on to the adjustable glides. Next, flip over the side rail with eight cam posts and place it over the gray panels (note: the cross dowel hole must face inward), as shown in diagram 4. Then insert the side rail cam posts into the holes in the tops of the gray panels. Now tighten the corresponding cams.

- 5 | Next, insert four thick cams into each of the small gray panels. Locate the side panel, it is the wood panel that is taller and thinner than the side rails. Then insert four thin cams and four cam posts into the side panel. Attach the small gray panels to the side panel cam posts and secure the corresponding four cams. Be sure all panels are oriented correctly, refer to diagram 5. Locate the bottom edge of the side panel (the edge closest to the cam post holes) and verify that the bottom edges of the small gray panels protrude out past the bottom edge of the side panel and are flush with the top edge. Now take the side rail with four cam posts attached and join it to the small gray panels, be sure the cross dowel holes face inward. Secure the corresponding four cams.

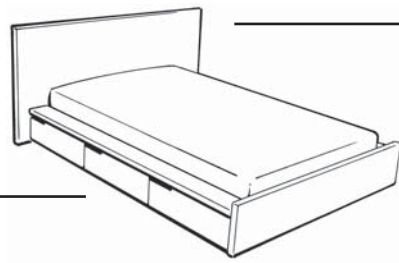


REV 0 2006.04.20

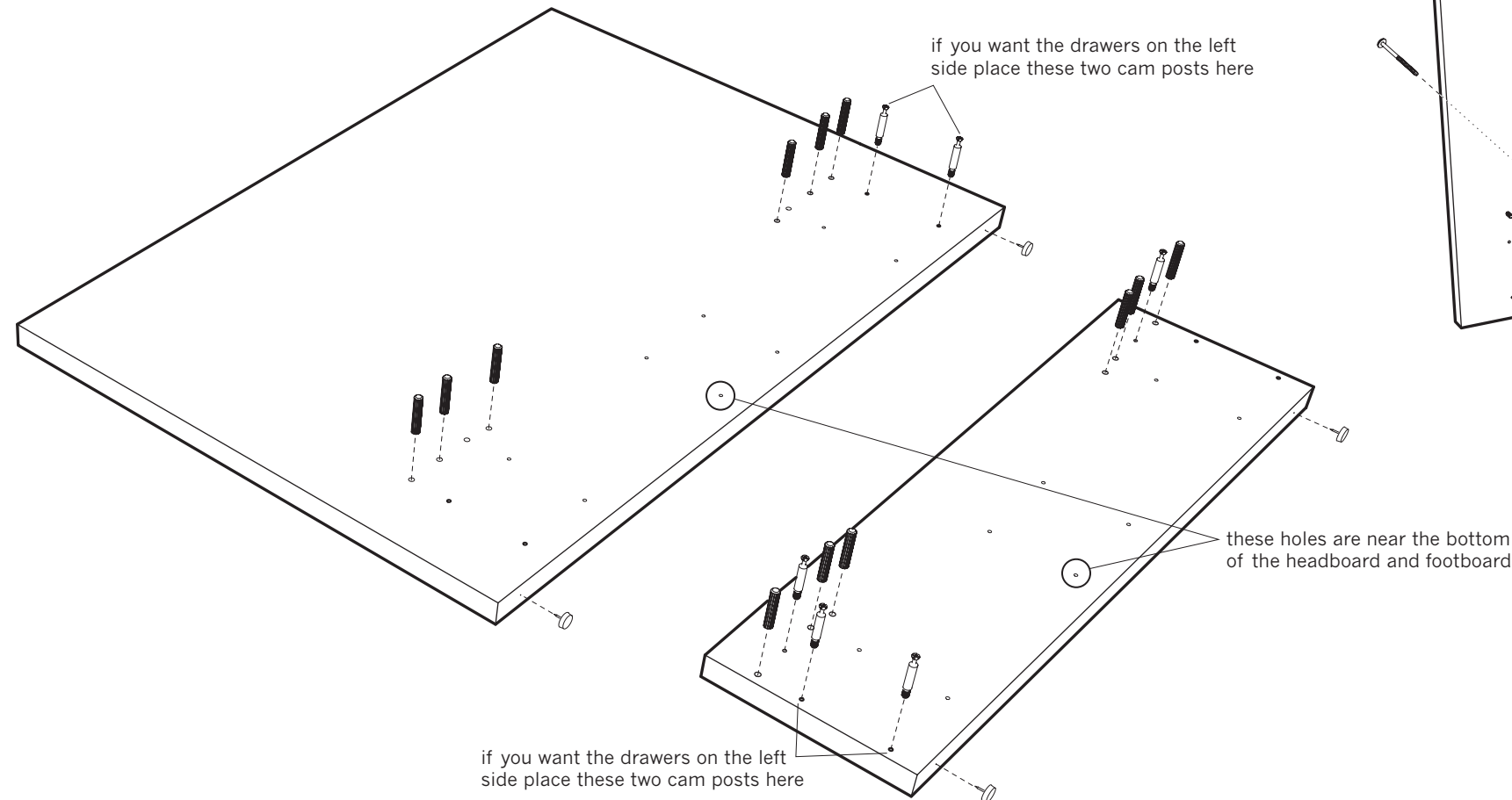
HARDWARE INVENTORY



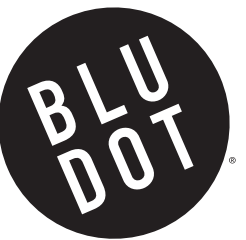
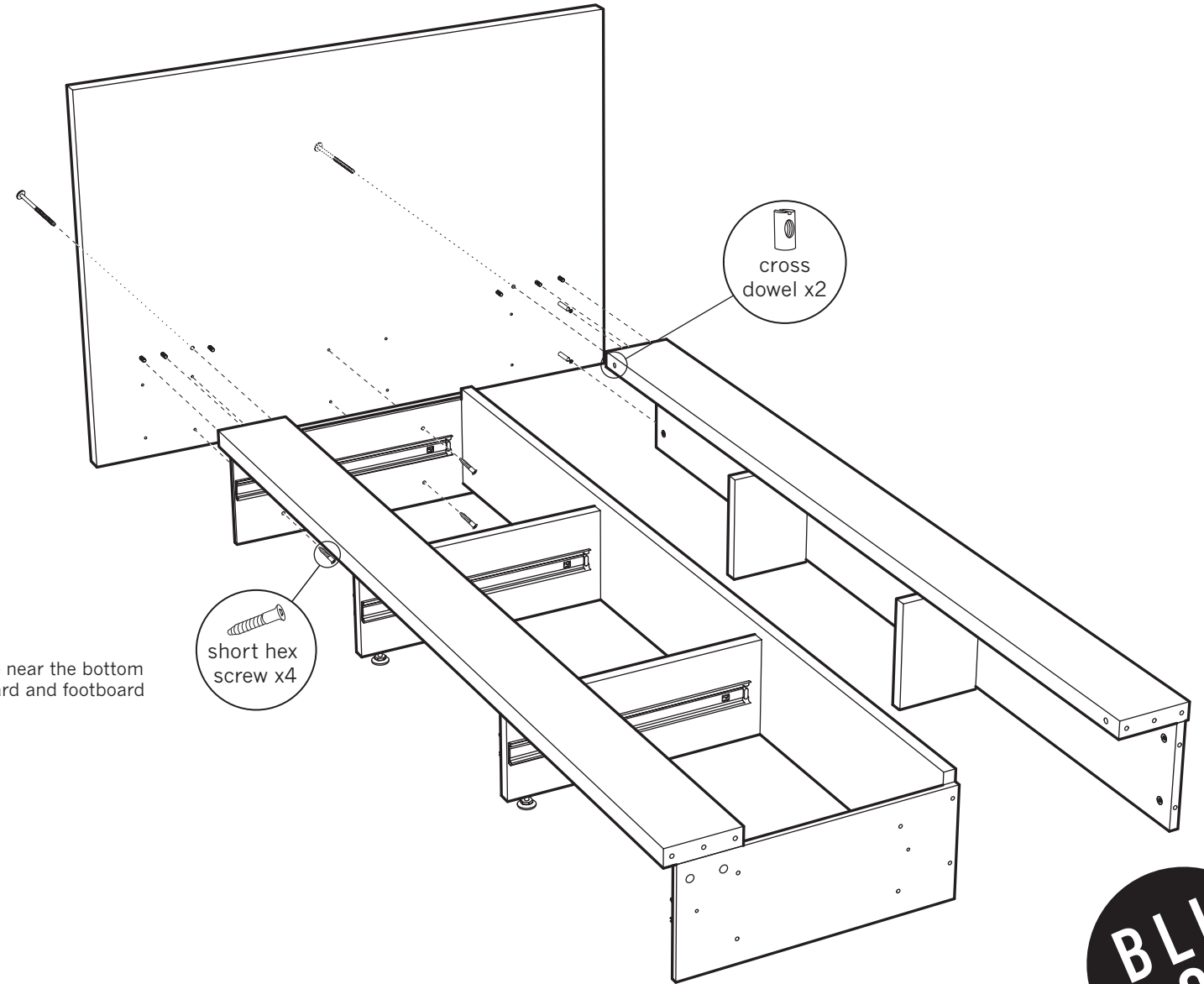
6 long wood screws



6



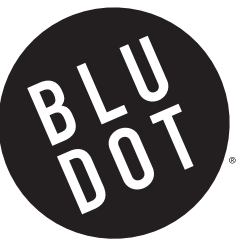
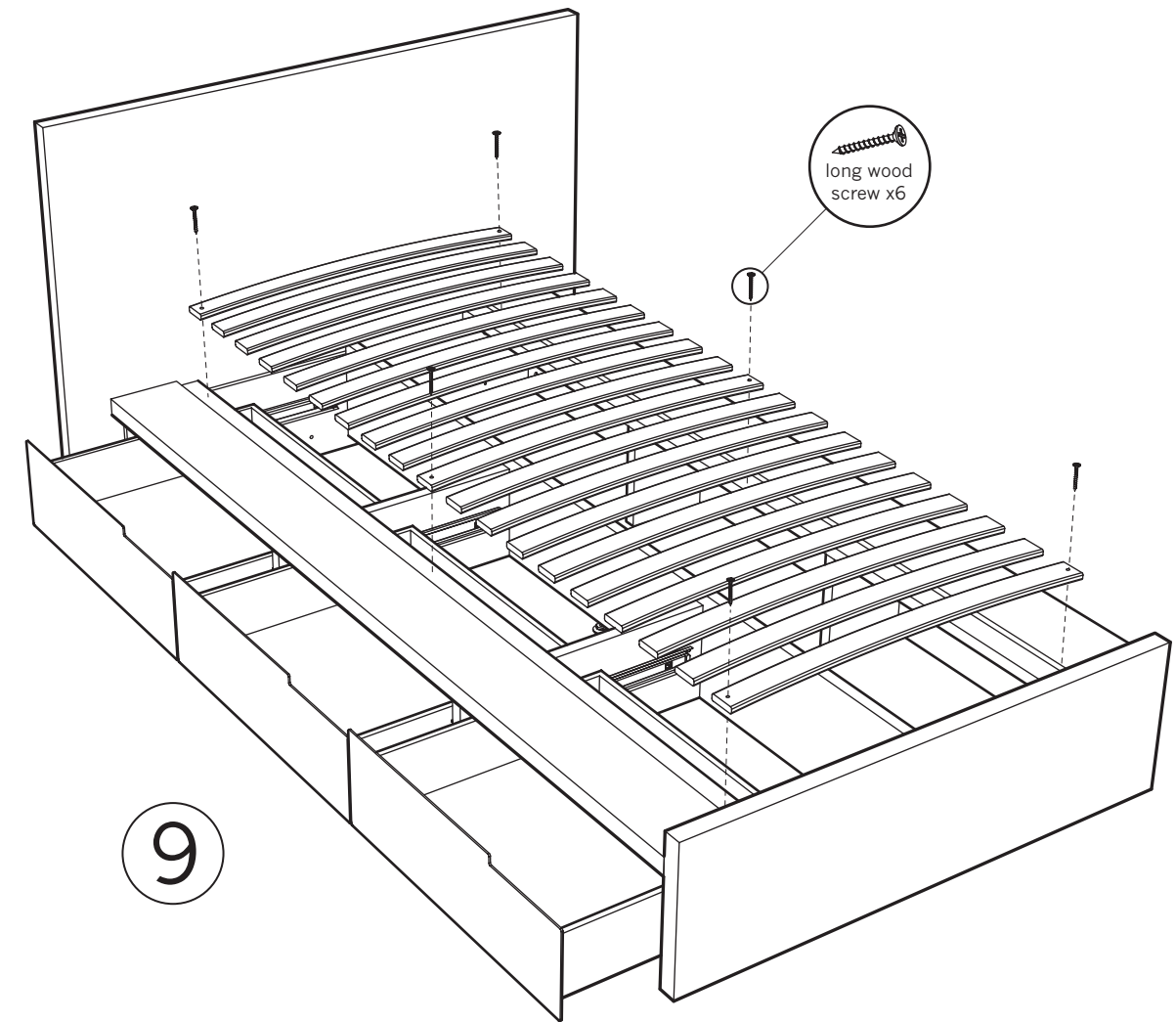
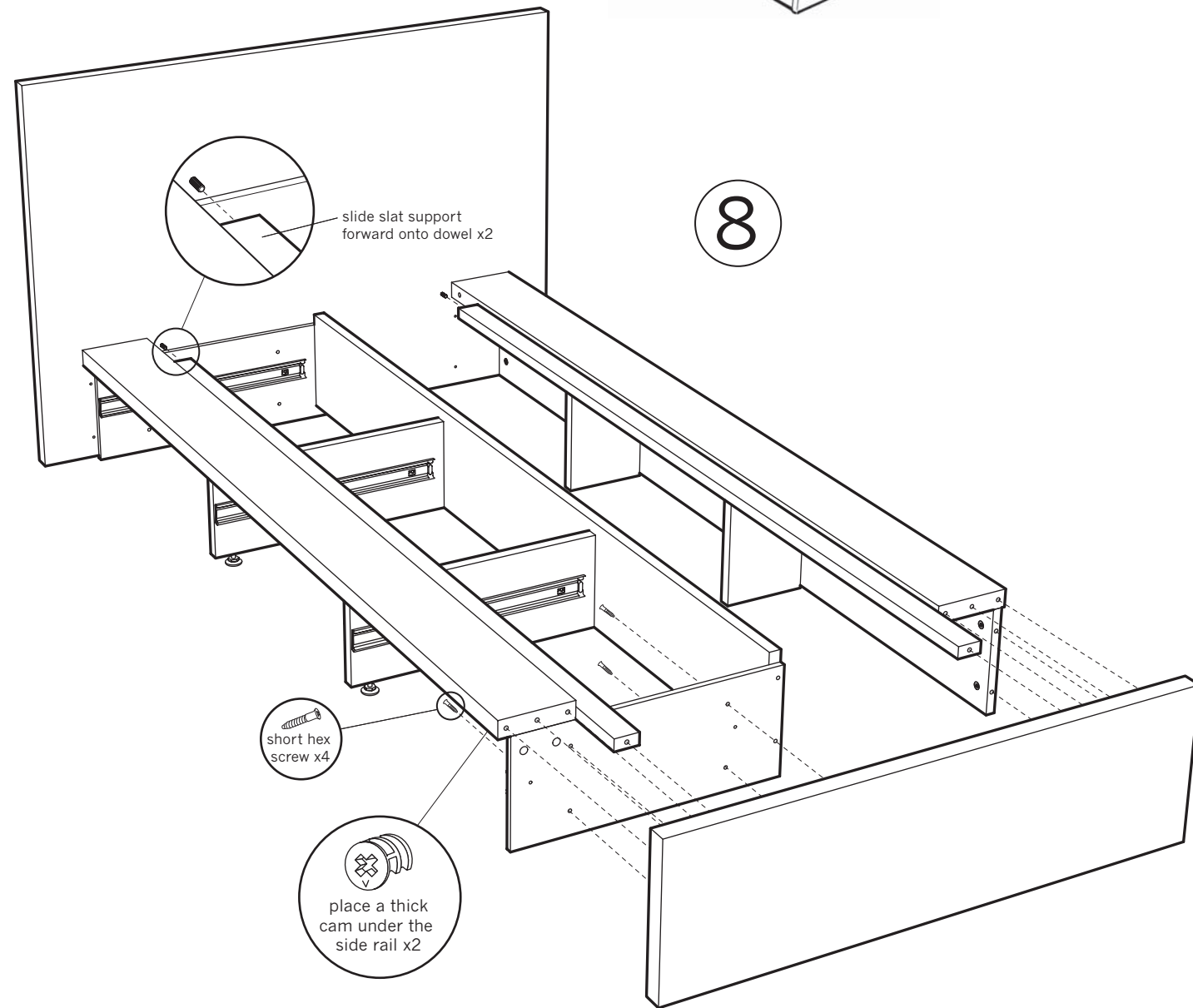
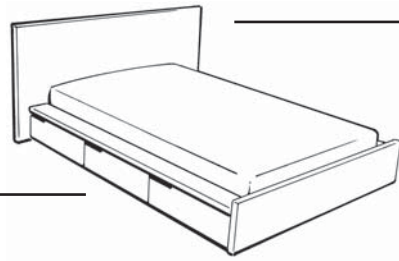
7



Assemble on carpet or protective mat.

6 Now lay out the headboard and footboard as shown in diagram 6. Use a hammer to tap in the nail-in glides into the bottom of the headboard and footboard. Place one nail-in glide toward each end of each panel. Next, decide if you want the drawers on the left or right side of the bed. **If you want the drawers on the left side, insert the two cam posts noted in diagram 6 in the locations illustrated in the headboard and footboard. If you want the drawers on the right side place those four cam posts in the holes on the opposite sides.** Then insert six dowels into the headboard in the locations illustrated in diagram 6. Also insert six dowels and screw in two additional cam posts into the footboard, again refer to diagram 6 for hardware placement.

7 Set up the headboard where it will be placed in your room. If you want the drawers on the left side, situate the side rail assembly and the drawer box assembly so that the three components relate to one another as shown in diagram 7; **if you want drawers on the right side, spin around the assemblies to the opposite sides.** Then, slide the drawer box assembly onto the headboard so the dowels enter into the corresponding holes. Next, using four short hex screws, screw the drawer box assembly to the headboard. Do the same for the side rail assembly, except insert the two cam posts into the corresponding cams and secure. Then, using the hole on the inside face of the side rail closest to the headboard, push one cross dowel, with the slot facing out and horizontal, into each of the side rails until it is fully seated. Then, from behind the headboard, insert the connector bolts through the holes in the back of the headboard and screw them into the cross dowels. **Be sure not to over-tighten, stop immediately when you feel resistance.**



Assemble on carpet or protective mat.

8 Find the remaining two thick cams and insert one into the underside of each side rail at the footboard end. Then slide the two slat supports (the raw wood rails with holes in the ends) onto the dowels at either side of the headboard. Next, slide the footboard onto the side rail assembly and drawer box assembly so all the dowels and cam posts find their appropriate holes. Then tighten the corresponding four cams. Use the remaining four short hex screws to fasten the gray panels to the footboard. Next, level the bed using the adjustable glides.

9 Finally, unroll the slats and lay them across the slat supports. Locate the first slat about 1.5" from the headboard, and screw the first slat to the support rails with two long wood screws. Pull the last slat tight toward the footboard, and using two more long wood screws, screw it down to the slat supports. Then, using the last two long wood screws, screw the middle slat with holes down to the slat supports. Next, slide the three drawers into the drawer slides. Lastly, use the drawers to stash bulky sweaters, "toys", or your extra Z's.

REV 0 2006.04.20

WOOD COLOR OVER TIME: Air and daylight will naturally change the color of the wood. For most woods, this change is gradual and very slight. During the first several months, while the patina is developing, items placed on the wood should be rotated to different locations to prevent uneven coloration. Over time an even patina will develop.

BLU DOT DESIGN AND MANUFACTURING, INC. copyright 2006.
www.bludot.com / t. 612.782.1844 / f. 612.782.1845