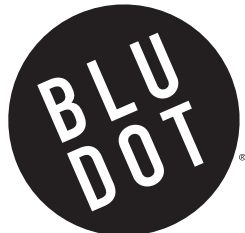


- 1 With a philips head screwdriver, screw cam post **Y** into the pre-drilled hole **X**.
- 2 Insert the cam **Z** into the larger hole with the arrow on the cam pointing to the cam post.
- 3 Slide the panel with the cam down onto the installed cam post. Tighten the cam by turning it clockwise with a philips head screw driver.

Assemble on carpet or protective mat.

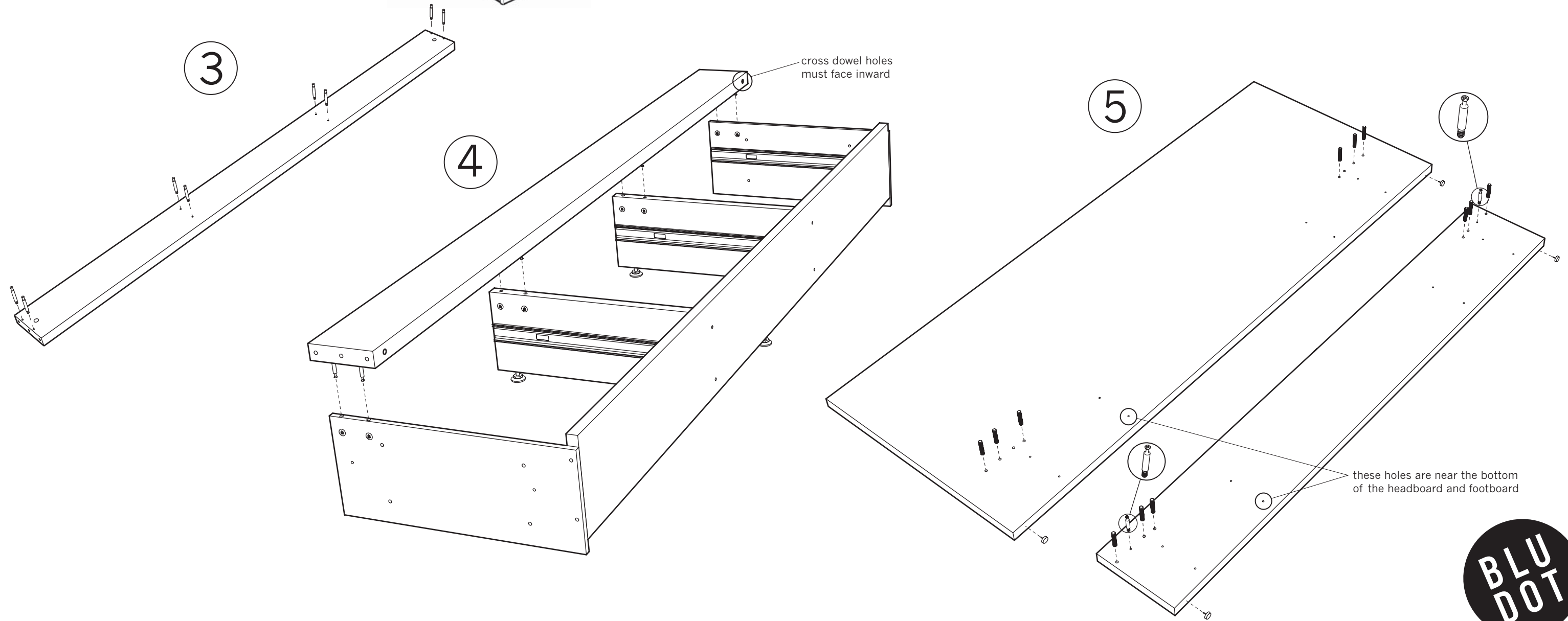
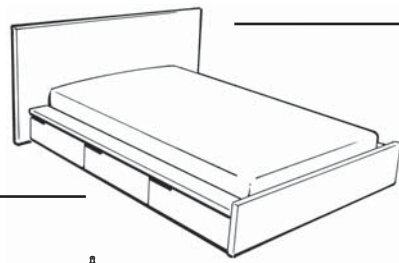


1 Lay out two **A** panels and two **B** panels exactly as shown in diagram 1. Note that holes for cams are at the front of the panels and that the rear of the drawer slides have a rubber bumper. Attach the slides to the panels by lining up the largest round hole towards the back of the slide with hole toward the back of the **A** and **B** panels, refer to diagram 1, and attach with a slide screw. Panel **B** receives a slide on both sides. Next, slide the inner portion of the slide forward until the window reveals the large diameter hole toward the front of the slide. Align that hole with the hole toward the front of the **A** and **B** panels and screw in another slide screw. Then insert two thick cams into each **B** panel and two thin cams into each **A** panel (the cam holes on one **A** panel should be facing down as shown in diagram 1).

2 Orient **A**, **B**, and **C** panels as shown in diagram 2. **A** and **B** panels' cams must face out and down. The edge in panel **C** with a hole in the center for the adjustable glide must face up. Now, using the long hex head screws and the allen wrench provided, join the five gray panels as shown in diagram 2. Notice how the panels will relate to one another. **A** panels will be offset from panel **C**. **B** panels will be flush with panel **C** at one edge. Next, take three adjustable glides and screw them into the **B** and **C** panels. Repeat steps 1 and 2 with the remaining gray panels and slides.

REV 0 2006.04.20

HARDWARE INVENTORY											
16 long hex screws	16 short hex screws	10 thick cams	8 thin cams	18 cam posts	12 wood dowels	2 cross dowels	24 slide screws	6 adjustable glides	4 nail-in glides	2 connector bolts	1 allen wrench



Assemble on carpet or protective mat.

3 Take eight cam posts and screw them into the side rail as shown in diagram 3.

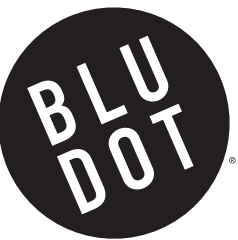
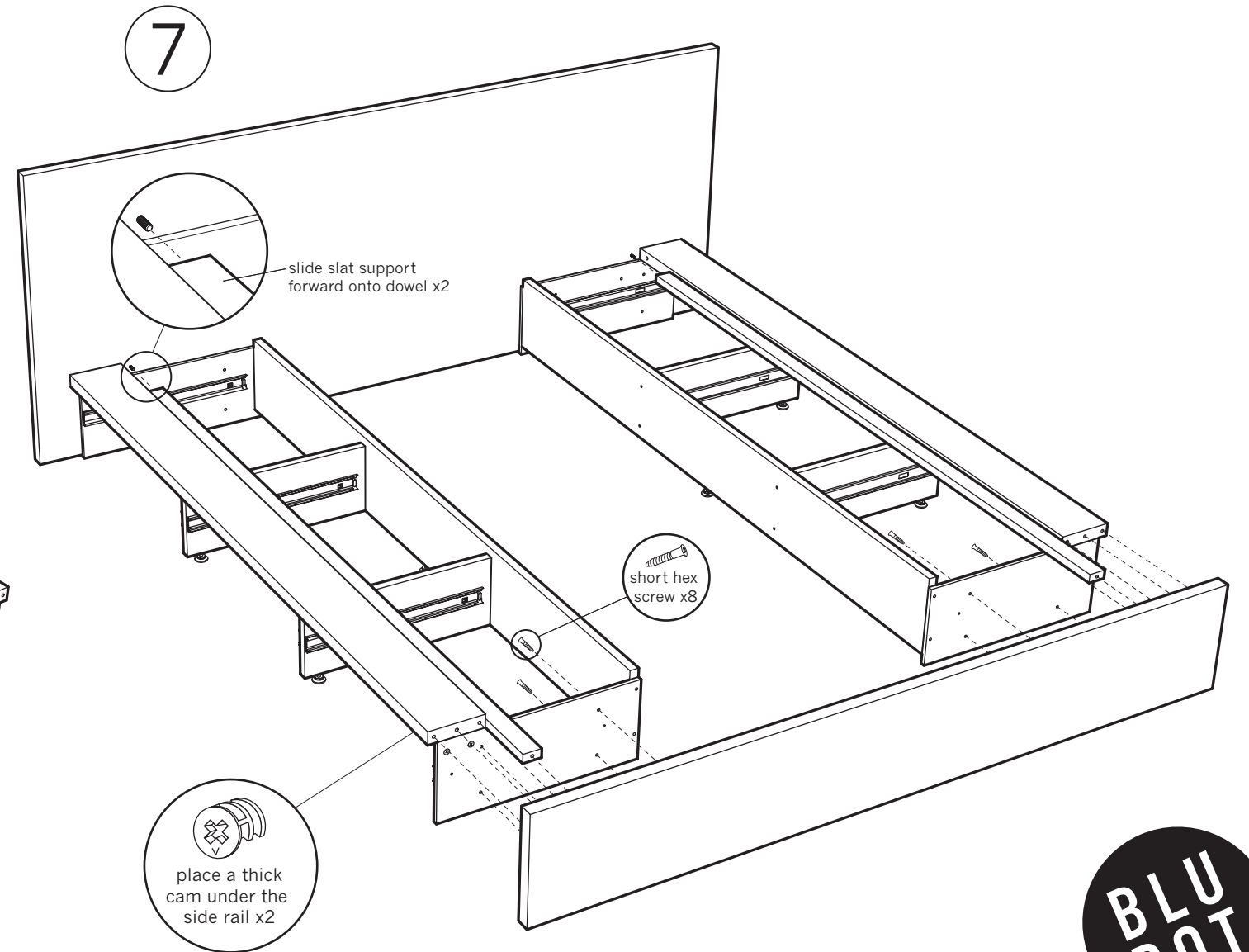
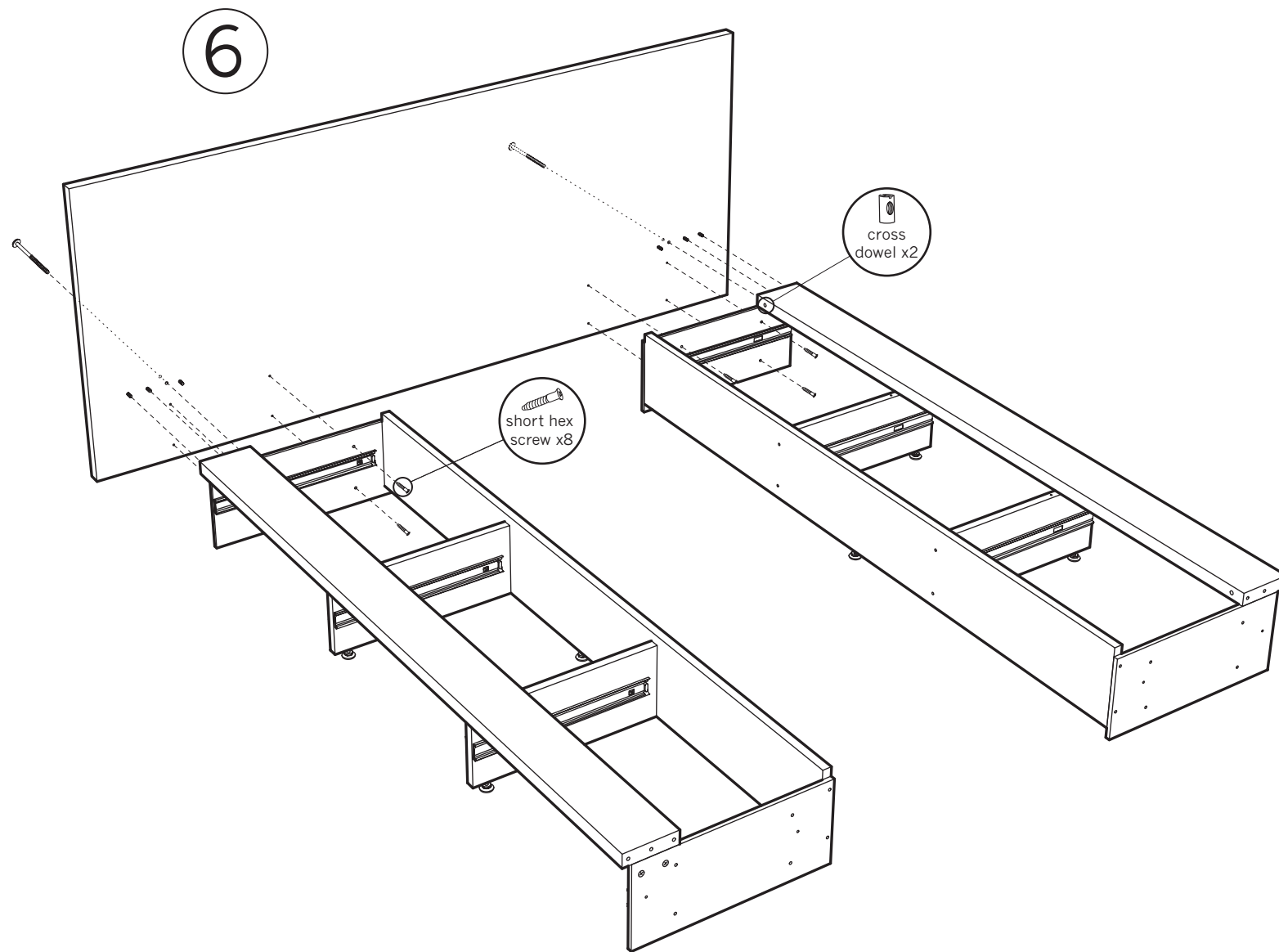
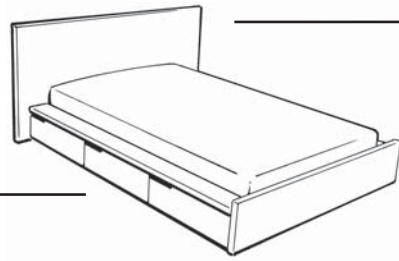
4 Flip the assembled gray panels over on to the adjustable glides. Next, flip over the side rail and place it over the gray panels (note: the cross dowel hole must face inward), as shown in diagram 4. Then insert the side rail cam posts into the holes in the tops of the gray panels. Now tighten the corresponding cams. Repeat steps 3 and 4 for the other gray panel assembly and side rail.

5 Now lay out the headboard and footboard as shown in diagram 5. Use a hammer to tap in the nail-in glides into the bottom of the headboard and footboard. Place one nail-in glide toward each end of each panel. Next, insert six dowels into the headboard in the locations illustrated in diagram 5. Also insert six dowels and screw in two cam posts into the footboard, again refer to diagram 5 for hardware placement.

## HARDWARE INVENTORY



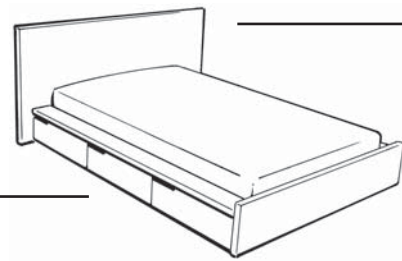
6 long wood screws



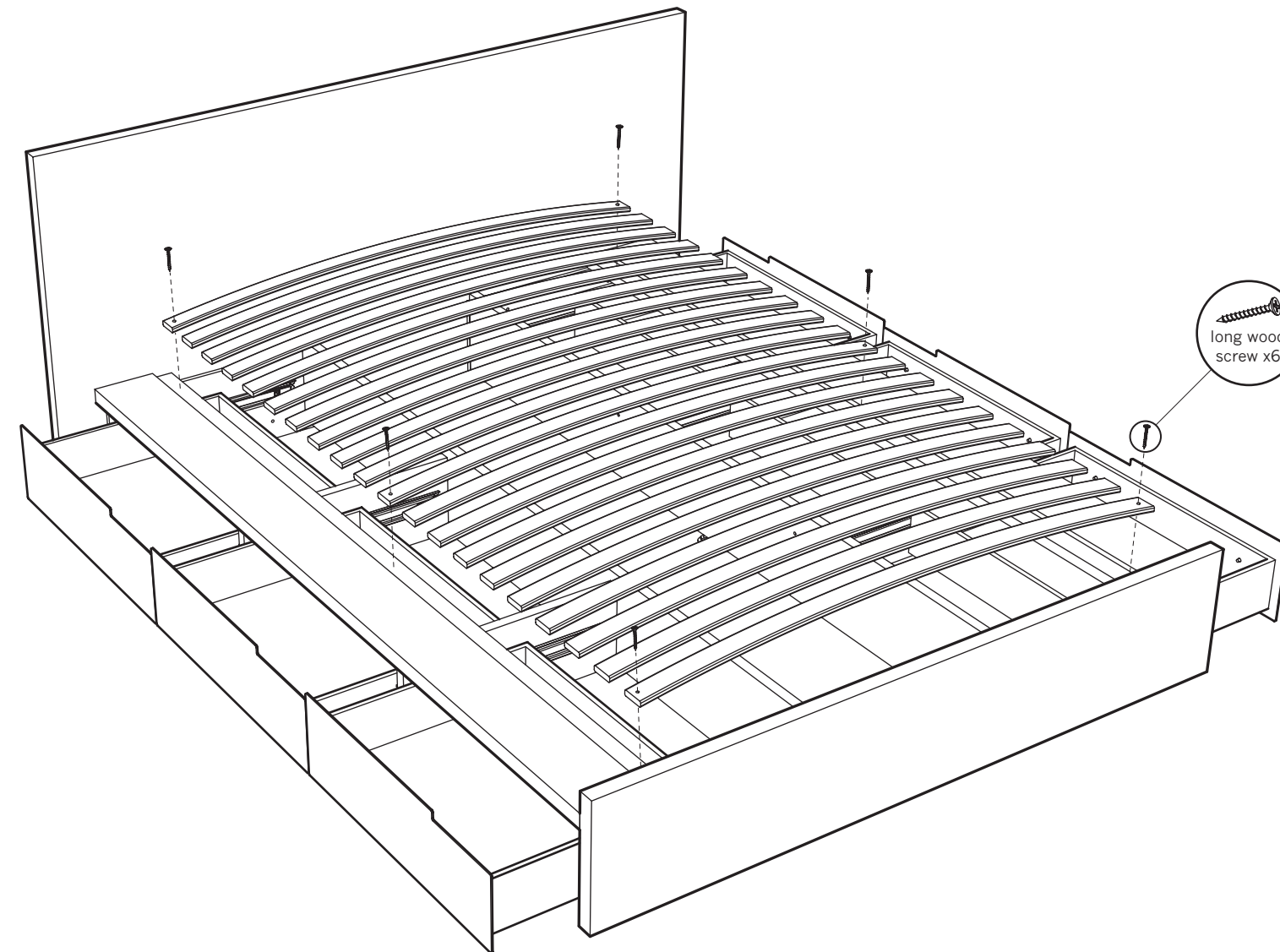
Assemble on carpet or protective mat.

6 Set up the headboard where it will be placed in your room. Now spin around one of the side rail assemblies so that the three components relate to one another as shown in diagram 6. Slide the side rail assemblies onto the headboard so the dowels enter into the corresponding holes. Next, using eight short hex screws, screw the side rail assemblies to the headboard. Then, using the hole on the inside face of the side rail closest to the headboard, push one cross dowel, with the slot facing out and horizontal, into each of the side rails until it is fully seated. Then, from behind the headboard, insert the connector bolts through the holes in the back of the headboard and screw them into the cross dowels. **Be sure not to over-tighten, stop immediately when you feel resistance.**

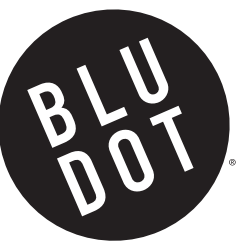
7 Find the remaining two cams and insert one into the underside of each side rail at the footboard end. Then slide the two slat supports (the raw wood rails with holes in the ends) onto the dowels at either side of the headboard. Next, slide the footboard onto the side rail assemblies so all the dowels and cam posts find their appropriate holes. Then tighten the two cams under the side rails. Use the remaining eight short hex screws to fasten the gray panels to the footboard. Next, level the bed using the adjustable glides.



8



Assemble on carpet or protective mat.



8 Finally, unroll the slats and lay them across the slat supports. Locate the first slat about 1.5" from the headboard, and screw the first slat to the support rails with two long wood screws. Pull the last slat tight toward the footboard, and using two more long wood screws, screw it down to the slat supports. Then, using the last two long wood screws, screw the middle slat with holes down to the slat supports. Next, slide the six drawers into the drawer slides. Lastly, use the drawers to stash bulky sweaters, "toys", or your extra Z's.

REV 0 2006.04.20

WOOD COLOR OVER TIME: Air and daylight will naturally change the color of the wood. For most woods, this change is gradual and very slight. During the first several months, while the patina is developing, items placed on the wood should be rotated to different locations to prevent uneven coloration. Over time an even patina will develop.

BLU DOT DESIGN AND MANUFACTURING, INC. copyright 2006.  
www.bludot.com / t. 612.782.1844 / f. 612.782.1845