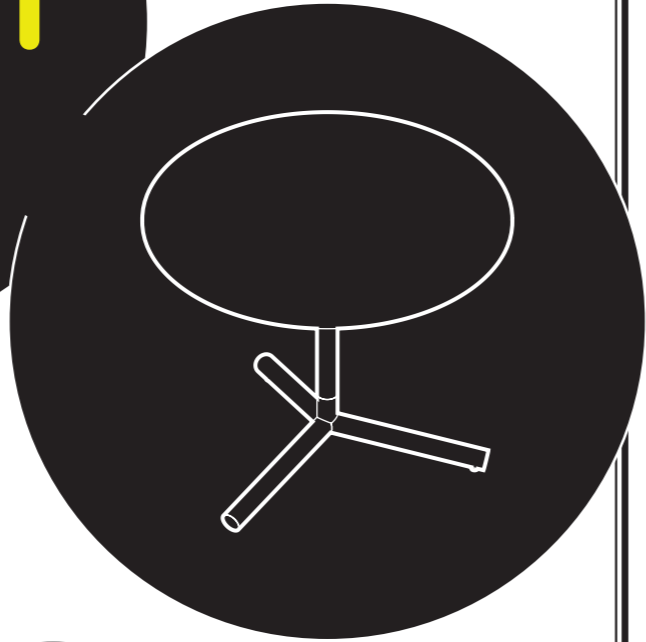


BLU
DOT

SPROUT

ASSEMBLY NOTES

1, 2, AND YOU'RE
THROUGH!

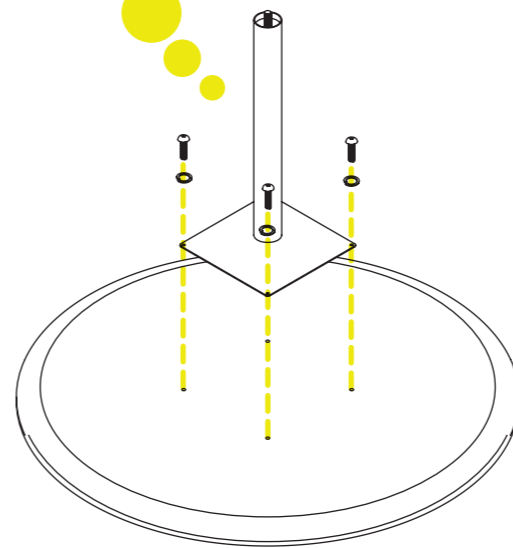
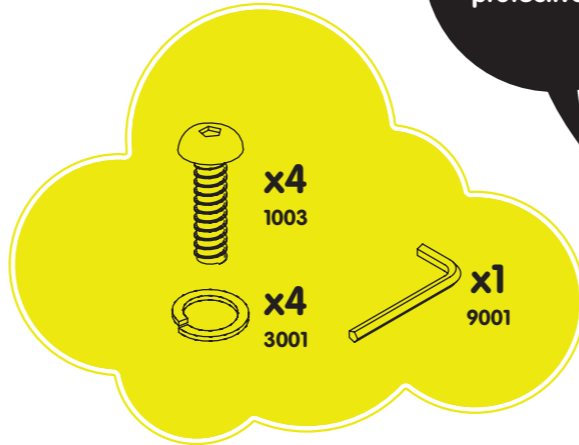


CARE

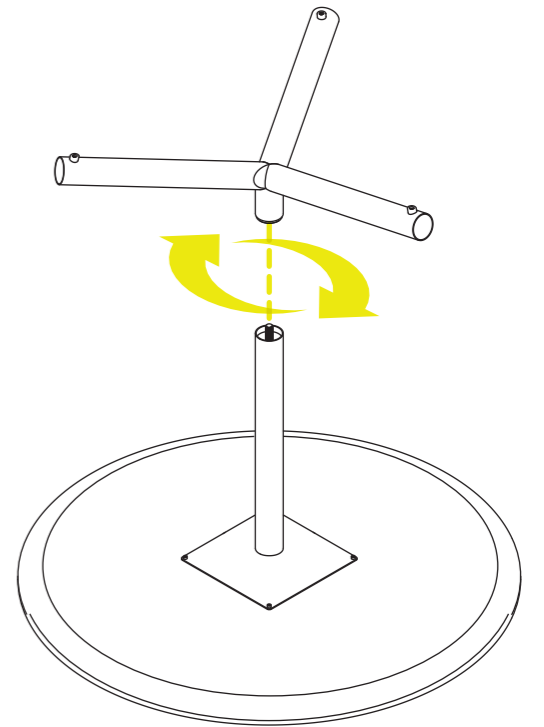
Clean tabletop and steel base with a soft cloth or sponge using a mild detergent, such as dish soap, and warm water. Wipe completely dry with a soft cloth.

1

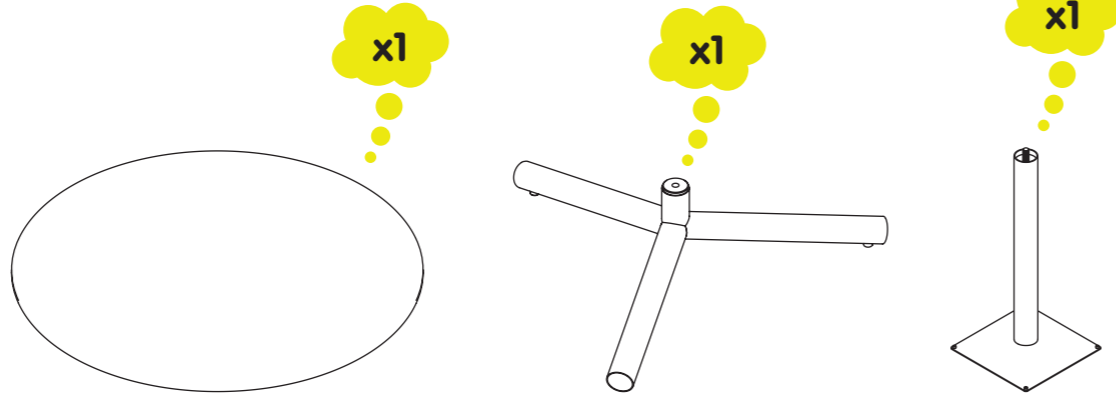
Assemble on carpet or protective mat



2



PARTS



HARDWARE

