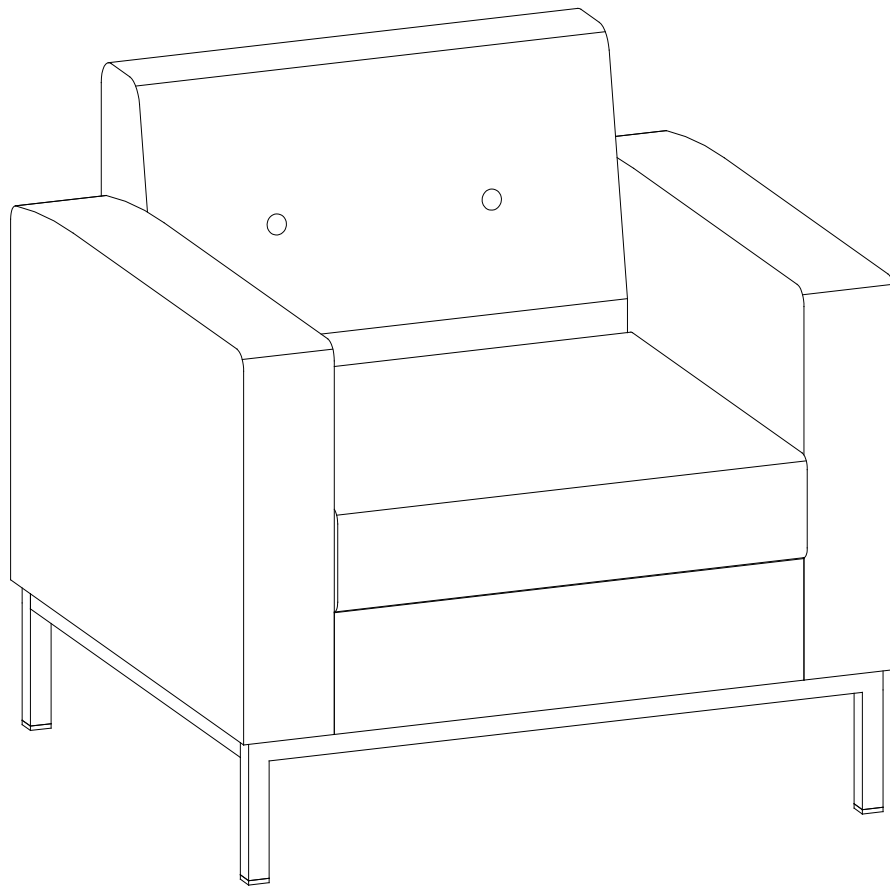




Product Instructions for:

DD1126-1-BR / DD1126-2-BK
Deluxe Arm Chair



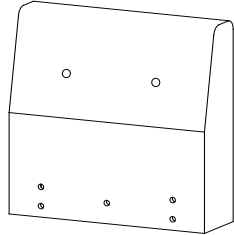
For assistance with assembly or questions contact:
Wayfair Customer Service, 877-WAYFAIR (877-929-3247) | www.wayfair.com

DD1126-1-BR / DD1126-2-BK Deluxe Arm Chair

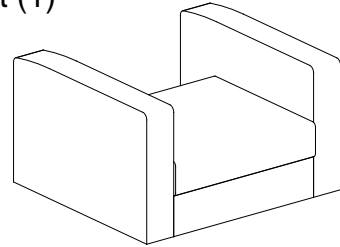
Before beginning assembly, separate all parts and carefully study the parts diagrams below. Review all parts and hardware before disposing of any packaging. You may receive extra hardware with your unit. Call Customer Service for missing hardware.

Parts List

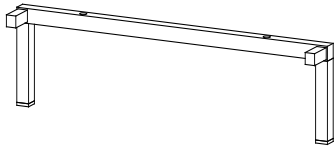
A: Back (1)



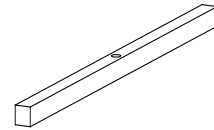
B: Seat & Armrest (1)



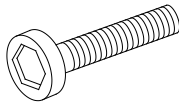
C: Metal Leg (2)



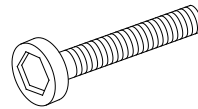
D: Bottom Rail (2)



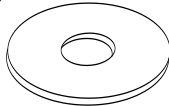
1: Short Bolt 5/16*1-9/16"L (9)



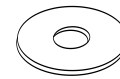
2: Long Bolt 1/4*2"L (6)



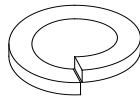
3: Flat Washer M8 (9)



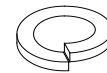
4: Flat Washer M6 (6)



5: Spring Washer 8mm (9)



6: Spring Washer 6mm (6)



7: Allen Wrench M5 (1)



For assistance with assembly or questions contact:
Wayfair Customer Service, 877-WAYFAIR (877-929-3247) | www.wayfair.com

DD1126-1-BR / DD1126-2-BK Deluxe Arm Chair

Assembly Instructions

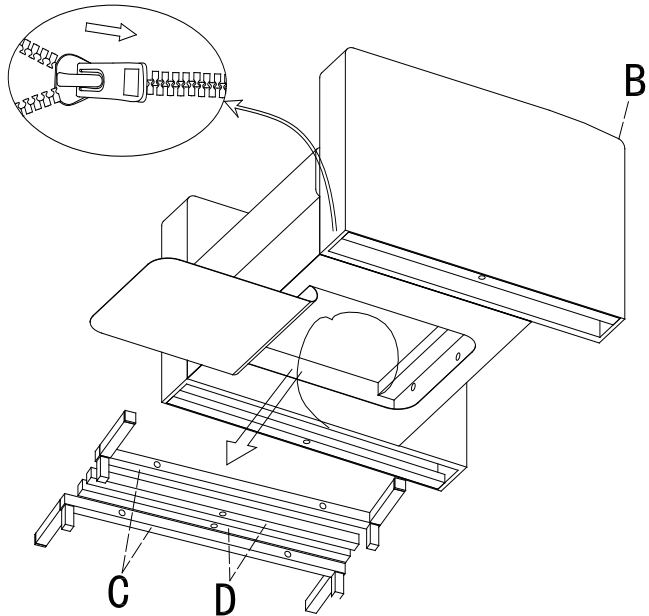


Figure 1

Step 1

Unpack and lay parts on clean padded surface.

Open the zipper and take out Metal Leg (C) and Bottom Rail (D) from Seat and Armrest (B)

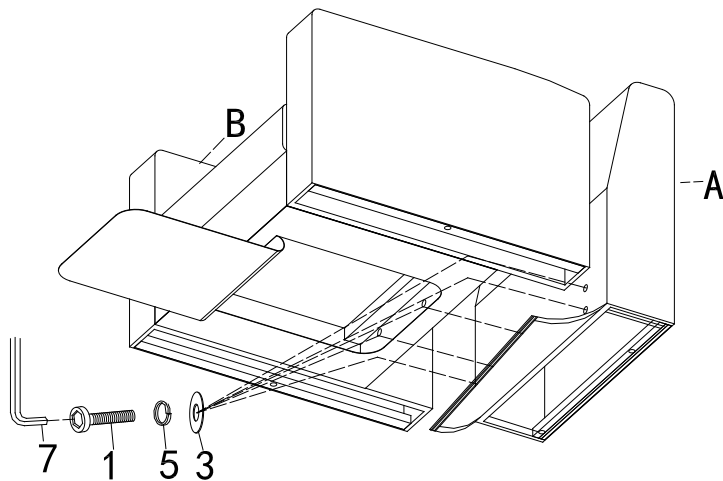


Figure 2

Step 2

Attach Seat and Armrest (B) to Back (A) with Short Bolt (1), Spring Washer (5) and Flat Washer (3)

Tighten Bolt with Allen Wrench (7) as shown in Figure 2 .

Open the black dust cover of Back (A) as shown.

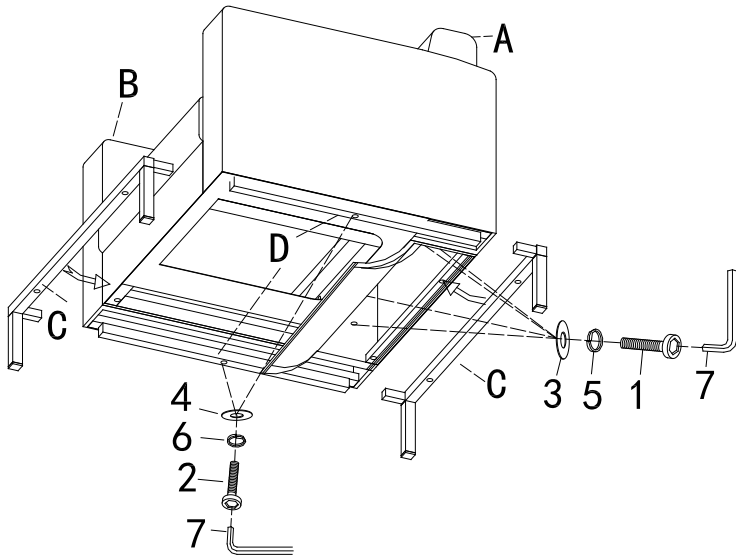


Figure 3

Step 3

Attach Back (A) to Seat and Armrest (B) with Short Bolt (1), Spring Washer (5) and Flat Washer (3). Tighten Bolt with Allen Wrench (7)

Notice: Narrow space, please be careful of hands.

Attach Bottom Rail (C) to the bottom of Seat with Long Bolt (2), Spring Washer (6) and Flat Washer (4).

Tighten Bolt with Allen Wrench (7) as shown in Figure 3.

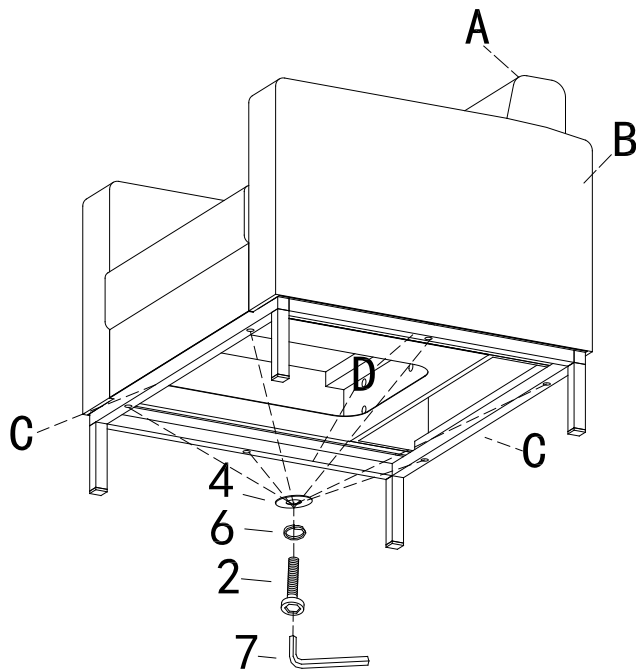


Figure 4

Step 4

Insert Metal Legs (C) into Bottom Rails (D). Please make sure Metal Leg (C) goes into Bottom Rails (D) end.

Connect Metal Leg (C) to pre-assembled unit from Figure 3 with Long Bolts (2), Spring Washer (6) and Flat Washer (4).

Tighten Bolt with Allen Wrench (7) as shown in Figure 4.

Close the black dust cover then pull the zipper on the bottom of the Seat.

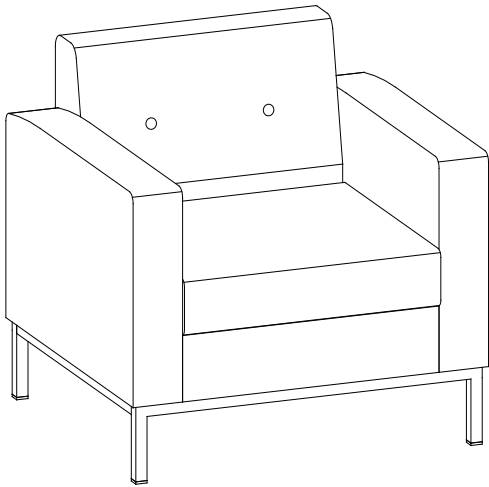


Figure 5

Step 5

Turn over the arm chair.

Now your arm chair is ready to use!