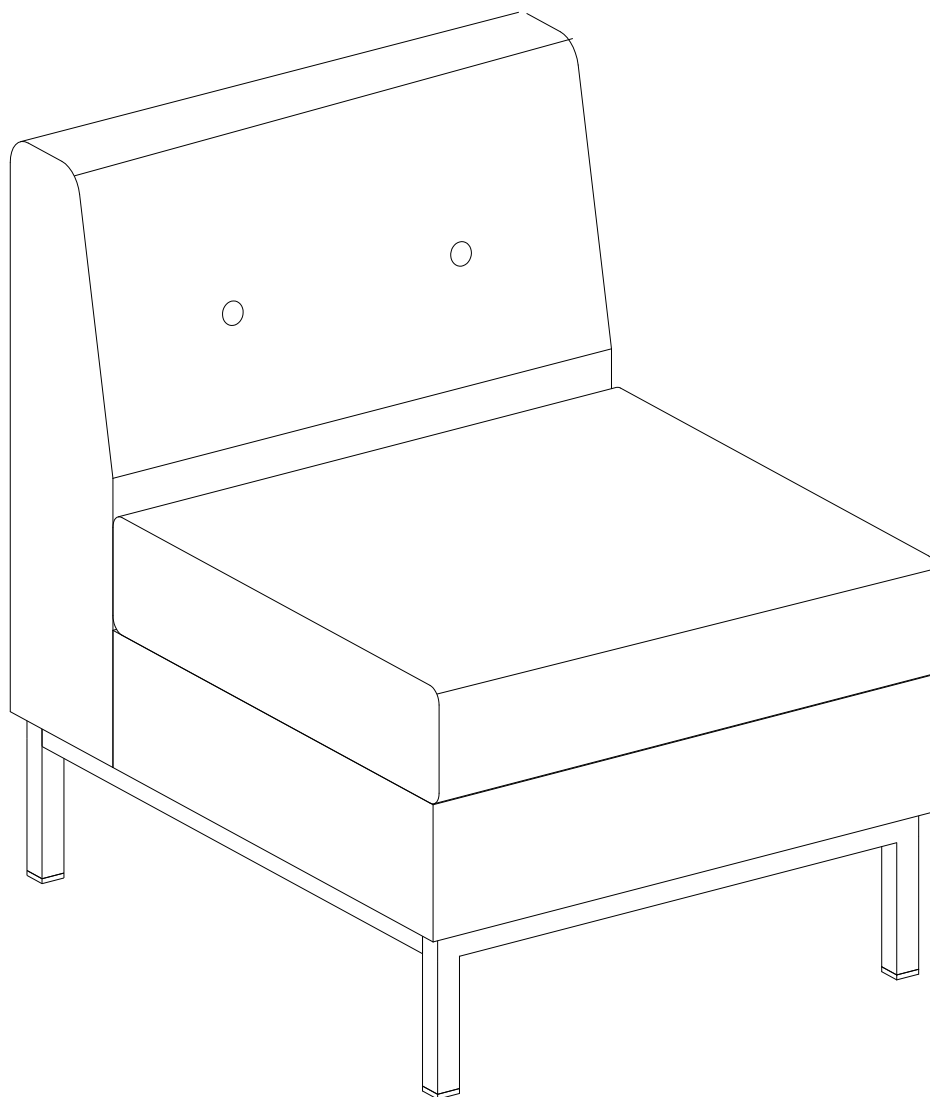




Product Instructions for:

**DD1125-1-BR / DD1125-2-BK / DD1125-3-WHT**  
**Deluxe Slipper Chair**



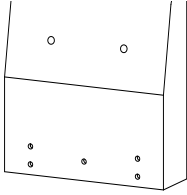
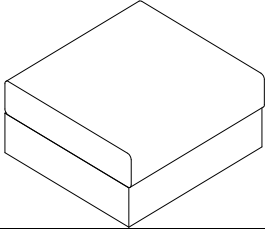
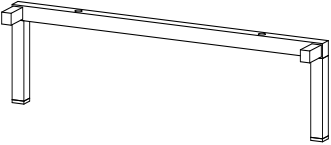
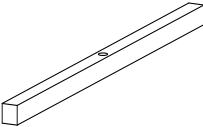


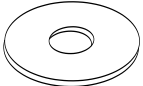
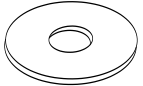

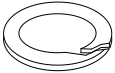
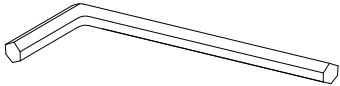
For assistance with assembly or questions contact:  
Wayfair Customer Service, 877-WAYFAIR (877-929-3247) | [www.wayfair.com](http://www.wayfair.com)

# DD1125-1-BR / DD1125-2-BK / DD1125-3-WHT

## Deluxe Slipper Chair

Before beginning assembly, separate all parts and carefully study the parts diagrams below. Review all parts and hardware before disposing of any packaging. You may receive extra hardware with your unit. Call Customer Service for missing hardware.

### Parts List

<p>A: Back (1)</p> 	<p>B: Seat (1)</p> 
<p>C: Metal Leg (2)</p> 	<p>D: Bottom Rail (2)</p> 
<p>1: Short Bolt 5/16*1-9/16"L (5)</p> 	<p>2: Long Bolt 1/4*2"L (6)</p> 
<p>3: Flat Washer M8 (5)</p> 	<p>4: Flat Washer M6 (6)</p> 
<p>5: Spring Washer 8mm (5)</p> 	<p>6: Spring Washer 6mm (6)</p> 
<p>7: Allen Wrench M5 (1)</p> 	

# DD1125-1-BR / DD1125-2-BK / DD1125-3-WHT Deluxe Slipper Chair

## Assembly Instructions

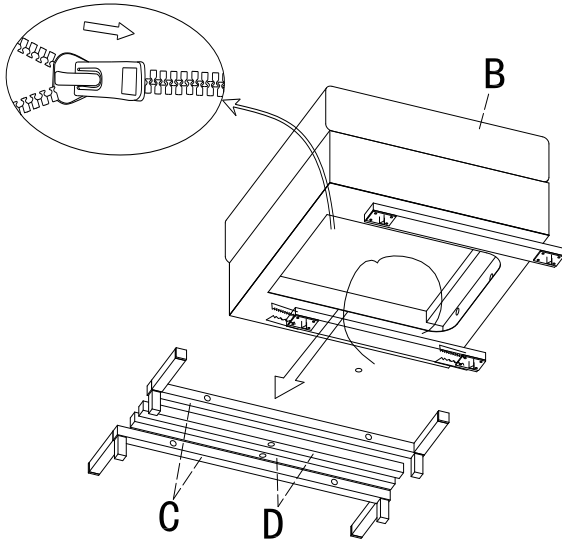


Figure 1

### Step 1

Unpack and lay parts on clean padded surface

Open the zipper and take out Metal Leg (C) and Bottom Rail (D) From Seat (B).

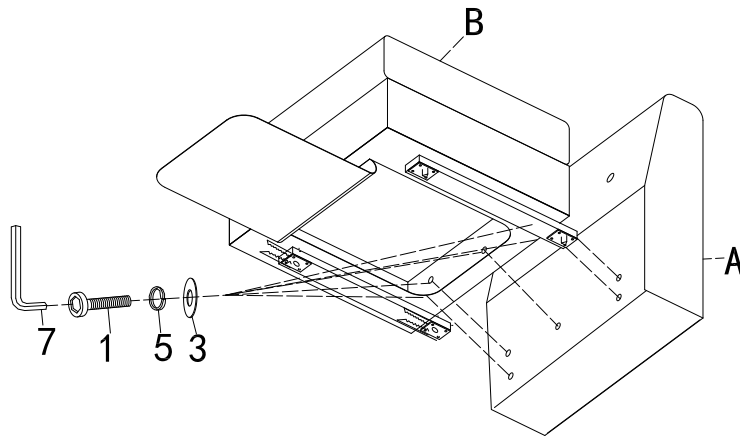
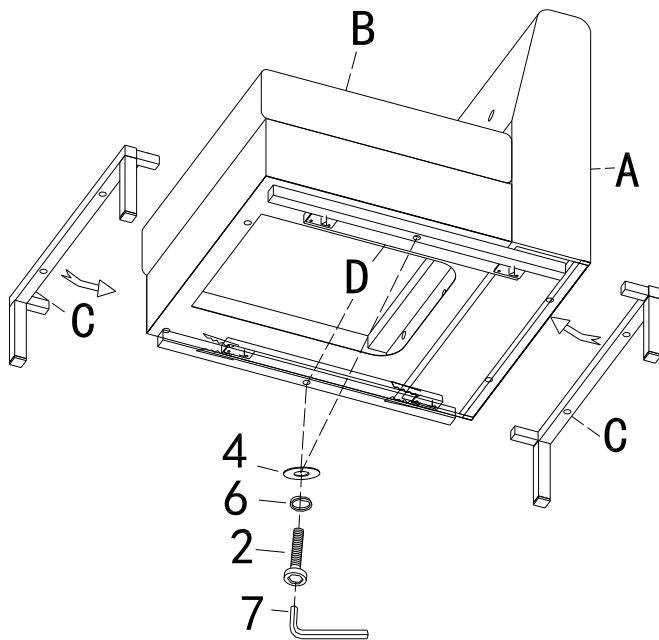


Figure 2

### Step 2

Attach Seat (B) to Back (A) using Short Bolt (1), Spring Washer (5) and Flat Washer (3).

Tighten Bolt with Allen Wrench (7) as shown in Figure 2 .

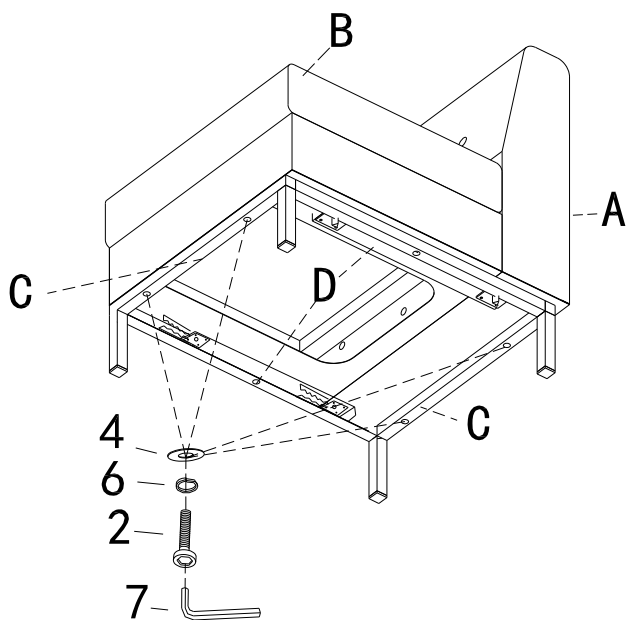


**Figure 3**

### Step 3

Attach Bottom Rail (C) to the bottom of Seat with Long Bolt (2), Spring Washer (6) and Flat Washer (4).

Tighten Bolt with Allen Wrench (7) as shown in Figure 3.



**Figure 4**

### Step 4

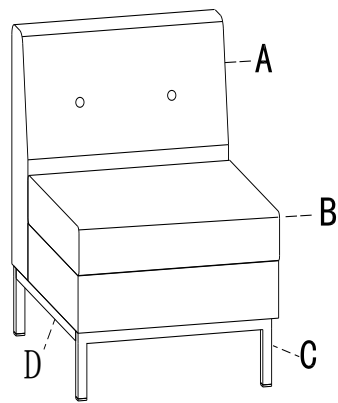
Insert Metal Legs (C) into Bottom Rails (D). Please make sure Metal Legs (C) go into Bottom Rails (D) end.

Connect Metal Leg (C) to pre-assembled unit from figure 3 with Long Bolt (2), Spring Washer (6) and Flat Washer (4).

Tighten Bolt with Allen Wrench (7) as shown in Figure 4.

Close the black dust cover, then pull the zipper on the bottom of the Seat.

**Figure 5**



**Step 5**

Tighten all bolts.

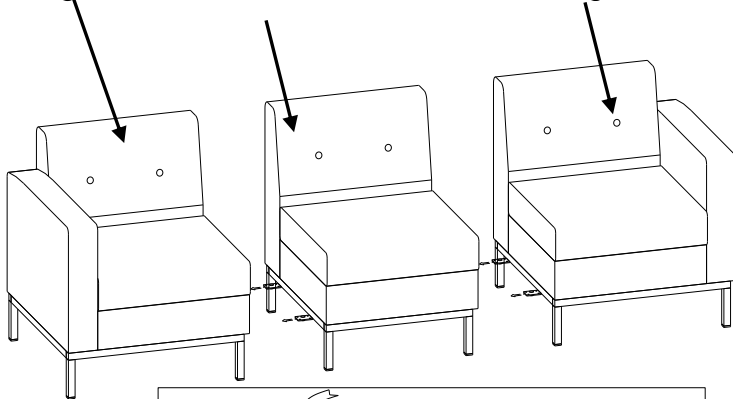
Turn over the chair.

Now your chair is ready to use!

DD1123 Left Facing Chair

DD1125 Deluxe Slipper Chair

DD1124 Right Facing Club Chair

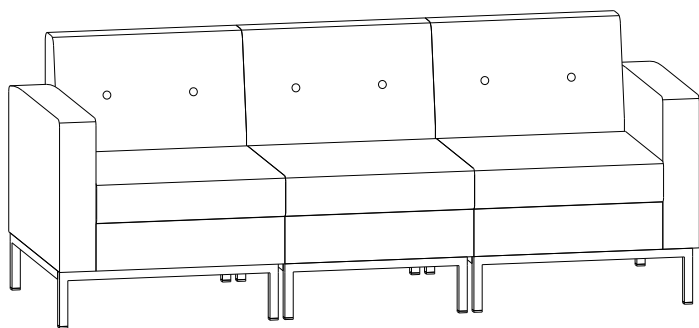
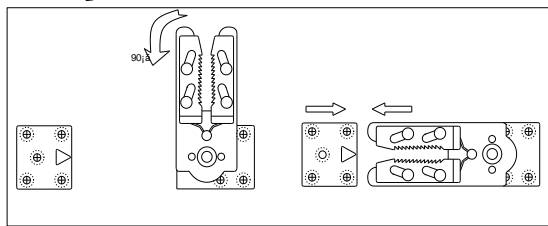


**Step 6**

When you need to assemble DD1123 Left Facing Chair and DD1124 Right Facing Club Chair and DD1125 Deluxe Slipper Chair

Please swirl the connector on bottom of DD1124/DD1125 first, then you can put DD1123/DD1124/DD1125 together as shown in Figure 6.

**Figure 6**



**Figure 7**

**Step 7**

Now your DD1123/DD1124/DD1125 chair set is ready to use!