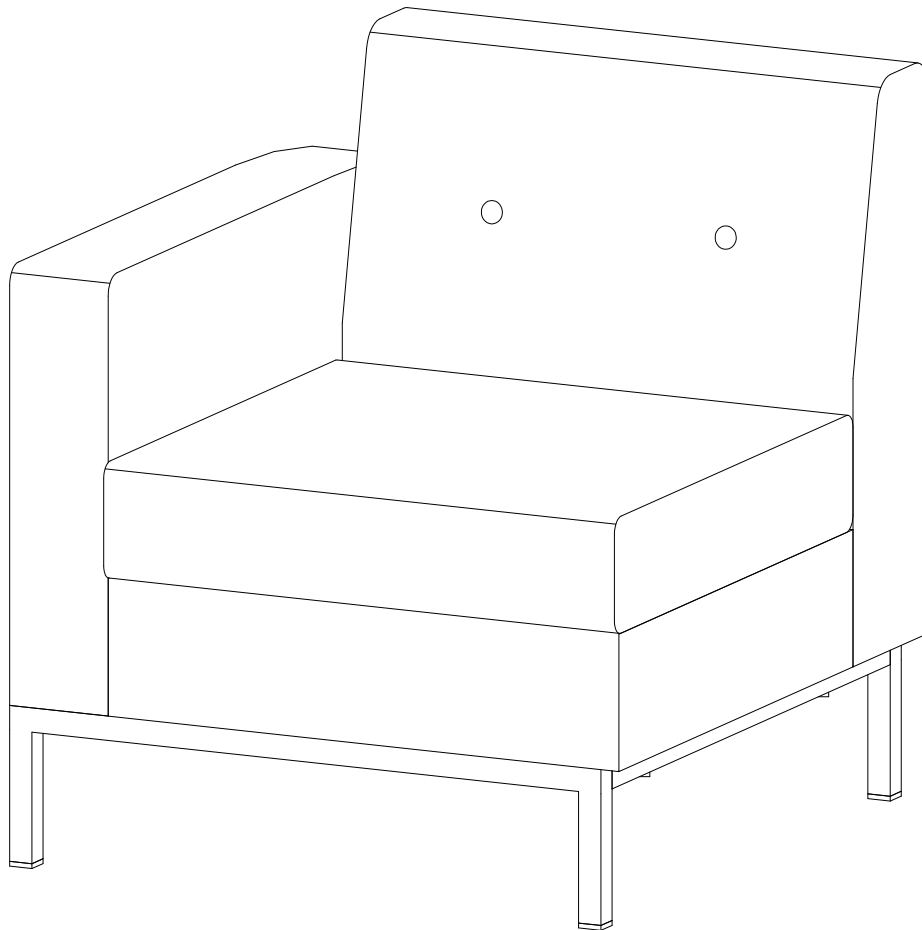




Product Instructions for:

**DD1123-1-BR / DD1123-2-BK**  
**Left Facing Club Chair**



For assistance with assembly or questions contact:  
Wayfair Customer Service, 877-WAYFAIR (877-929-3247) | [www.wayfair.com](http://www.wayfair.com)

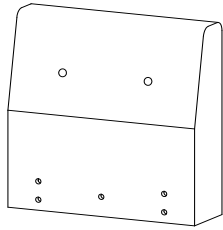
# DD1123-1-BR / DD1123-2-BK

## Left Facing Club Chair

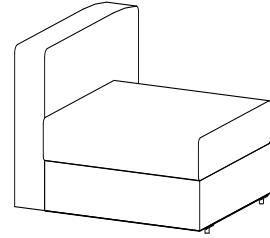
Before beginning assembly, separate all parts and carefully study the parts diagrams below. Review all parts and hardware before disposing of any packaging. You may receive extra hardware with your unit. Call Customer Service for missing hardware.

### Parts List

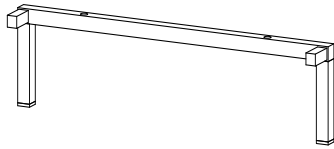
A: Back (1)



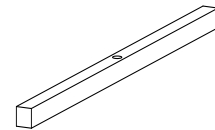
B: Seat & Armrest (1)



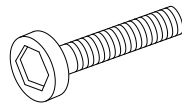
C: Metal Leg (2)



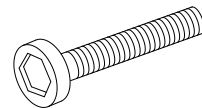
D: Bottom Rail (2)



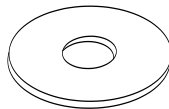
1: Short Bolt 5/16\*1-9/16"L (7)



2: Long Bolt 1/4\*2"L (6)



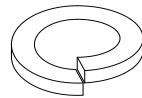
3: Flat Washer M8 (7)



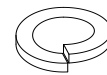
4: Flat Washer M6 (6)



5: Spring Washer 8mm (7)



6: Spring Washer 6mm (6)



7: Allen Wrench M5 (1)



# DD1123-1-BR / DD1123-2-BK Left Facing Club Chair

## Assembly Instructions

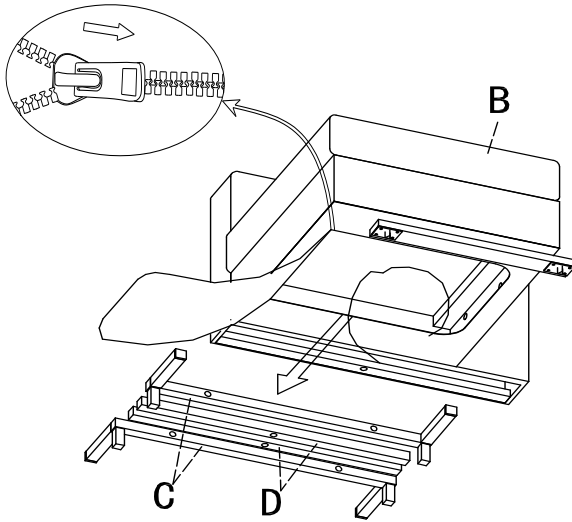


Figure 1

### Step 1

Unpack and lay parts on clean, padded surface.

Open the zipper and take out Metal Leg (C) and Bottom Rail (D) From Seat & Armrest (B)

### Step 2

Attach Seat & Armrest (B) to Back (A) using Short Bolts (1), Spring Washer (5) and Flat Washer (3).

Tighten using Allen Wrench as shown on Figure 2.

Open the black dust cover from Back (A) as shown.

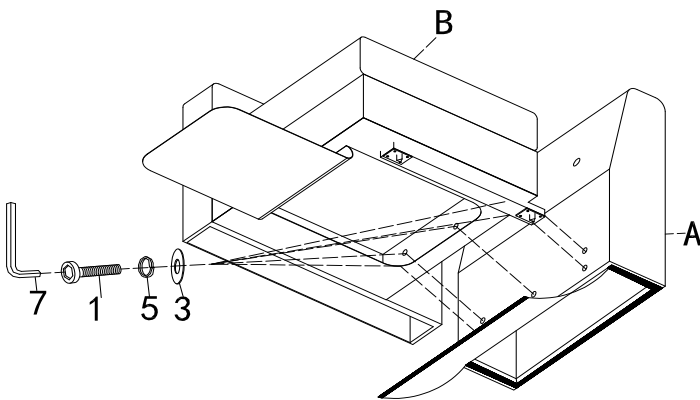


Figure 2

# DD1123-1-BR / DD1123-2-BK Left Facing Club Chair

## Assembly Instructions

### Step 3

Attach Back (A) to Armrest (B) using Short Bolts (1), Spring Washer (5) and Flat Washer (3).

Tighten using Allen Wrench (7).

Notice : The narrow space, please be careful your hand.

Attach Bottom Rail (C) to the bottom of Seat by Long Bolts (2), Spring Washer (6) and Flat Washer (4).

Tighten them using Allen Wrench (7) as shown in Figure 3.

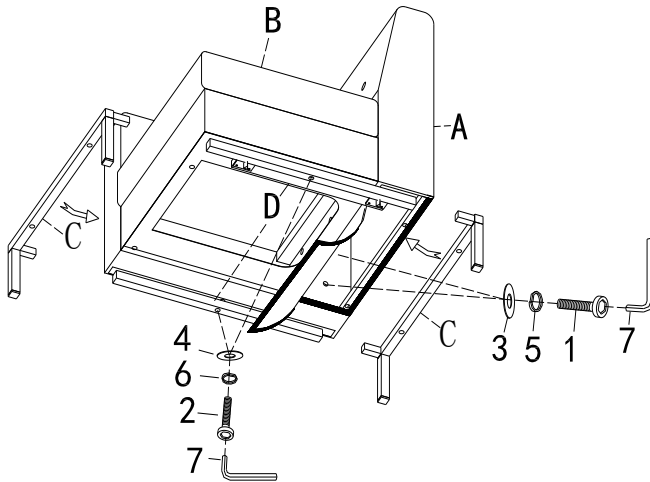


Figure 3

### Step 4

Insert Metal Legs (C) into Bottom Rails (D). Please make sure Legs (C) go into Bottom Rails (D) end.

Connect Metal Leg (C) to pre-assembled unit on Figure 3 with Long Bolts (2), Spring Washer (6) and Flat Washer (4).

Tighten using Allen Wrench (7) as shown in Figure 4.

Close the black dust cover then pull the zipper on the bottom of the seat.

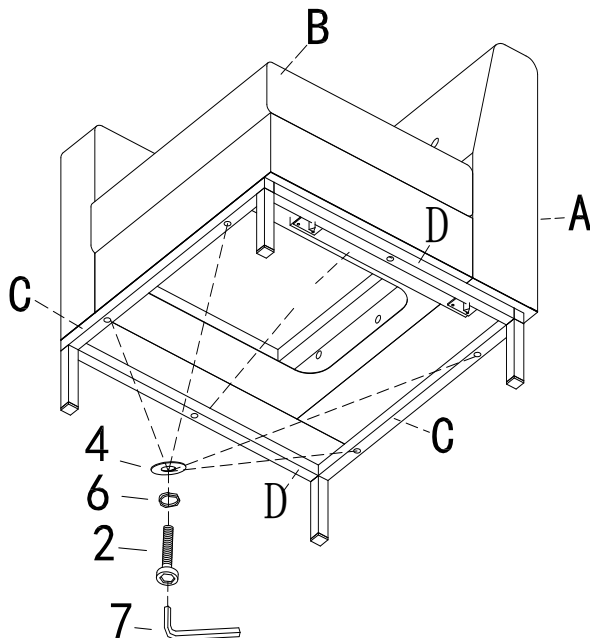
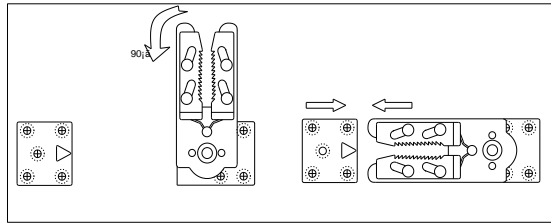
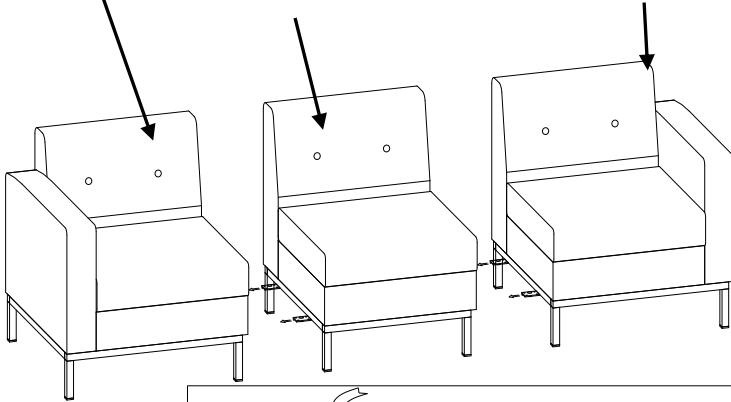


Figure 4

# DD1123-1-BR / DD1123-2-BK Left Facing Club Chair

## Assembly Instructions

DD1123 Left Facing Club Chair    DD1125 Deluxe Slipper Chair    DD1124 Right Facing Club Chair



**Figure 5**

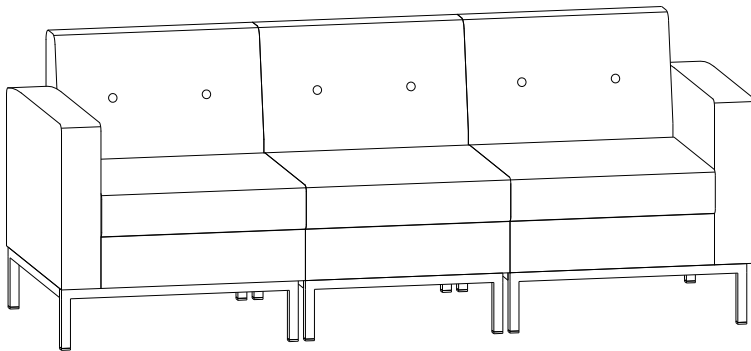
### Step 5

When you need to assemble DD1123 Left Facing Club Chair, DD1124 Right Facing Club Chair and DD1125 Deluxe Slipper Chair

Please twist the connector on bottom of DD1124/DD1125 first, then you can put DD1123/DD1124/DD1125 together as shown in Figure 5.

### Step 6

Now your DD1123/DD1124/DD1125 whole chair set is ready to use!



**Figure 6**