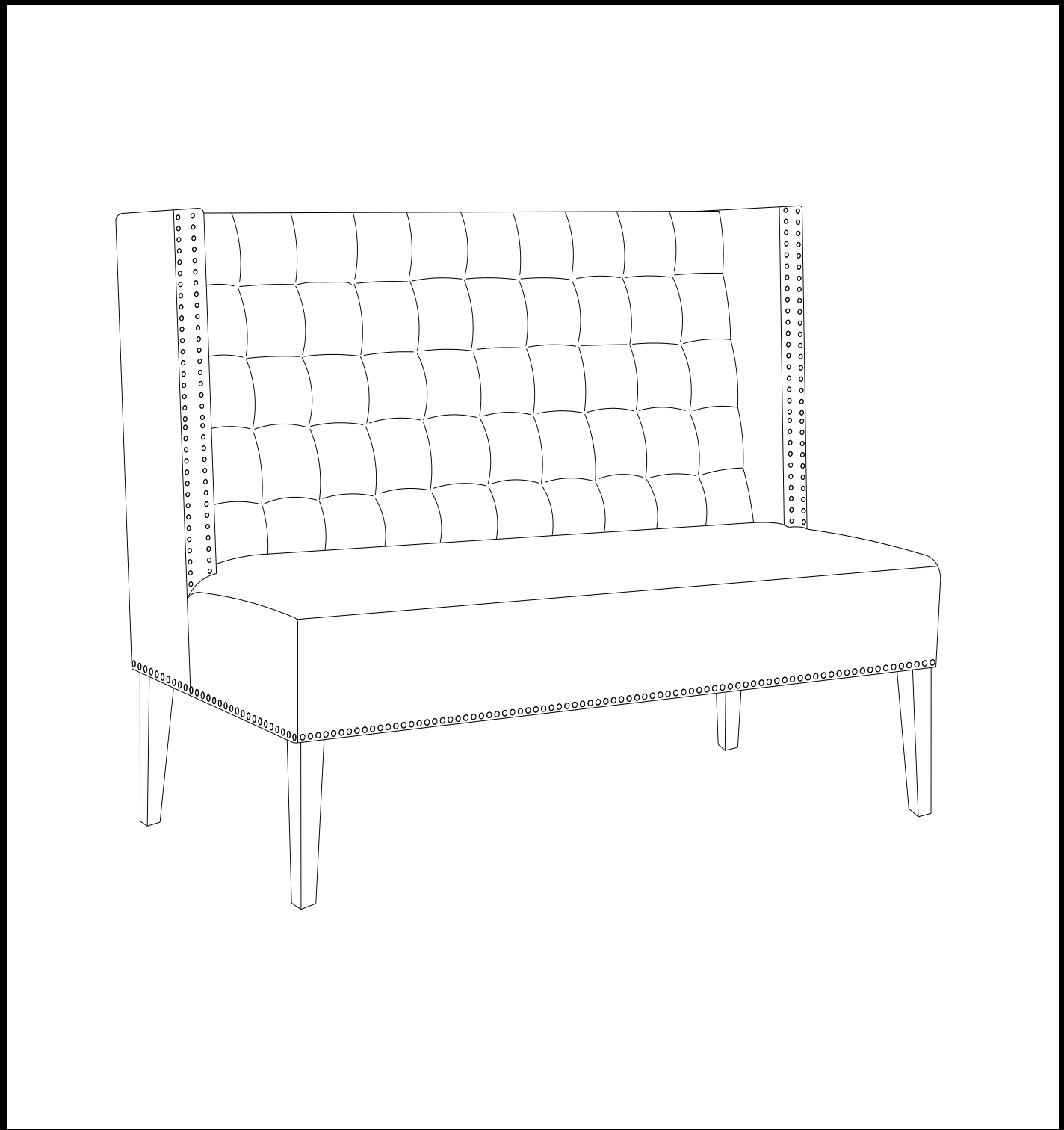




Product Instructions for:

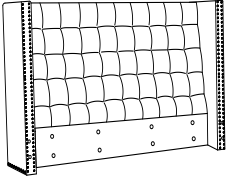

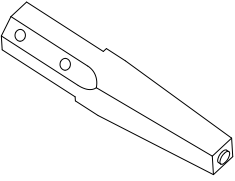
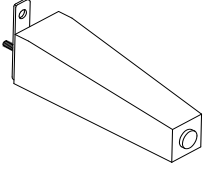
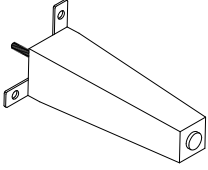
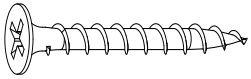
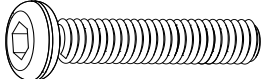
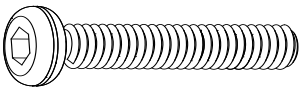

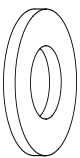
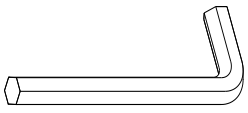
ZH2023-1IVY BENCH / ZH2023-2GY BENCH / ZH2023-3OA BENCH



ZH2023-1IVY BENCH / ZH2023-2GY BENCH / ZH2023-3OA BENCH

Before beginning assembly, separate all parts and carefully study the parts diagrams below. Review all parts and hardware before disposing of any packaging. You may receive extra hardware with your unit. Call Customer Service for missing hardware. Please see care and cleaning label attached to bottom of bench.

Parts List

<p>A</p>  <p>Quantity of 1</p> <p>Back Panel</p>	<p>B</p>  <p>Quantity of 1</p> <p>Seat</p>
<p>C</p>  <p>Quantity of 2</p> <p>Front Legs</p>	<p>D</p>  <p>Quantity of 1</p> <p>Left Back Leg</p>
<p>E</p>  <p>Quantity of 1</p> <p>Right Back Leg</p>	
<p>1</p>  <p>Quantity of 4</p> <p>Screw Dia 8mm*1"L</p>	<p>2</p>  <p>Quantity of 10</p> <p>Bolt: Dia 5/16" * 2" L</p>
<p>3</p>  <p>Quantity of 4</p> <p>Bolt: Dia 5/16" * 2-1/2" L</p>	<p>4</p>  <p>Quantity of 14</p> <p>Spring Washer</p>
<p>5</p>  <p>Quantity of 14</p> <p>Flat Washer</p>	<p>6</p>  <p>Quantity of 1</p> <p>Allen Wrench</p>

ZH2023-1IVY BENCH / ZH2023-2GY BENCH / ZH2023-3OA BENCH

Assembly Instructions

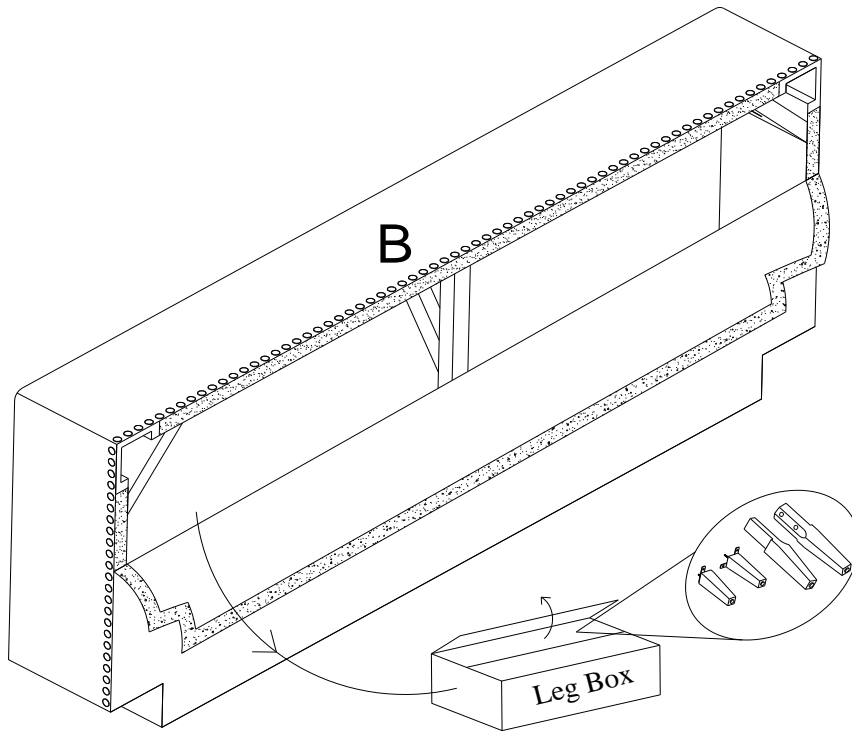


Figure 1

Unpack and lay parts on clean, padded surface like carpet or blanket. Check that you have all parts indicated on the front page.

Lift the Velcro strip from the bottom of the Seat (B) and take out the leg box which includes 2 Front Legs, 2 Back Legs.

Open the legs box, then take out legs.

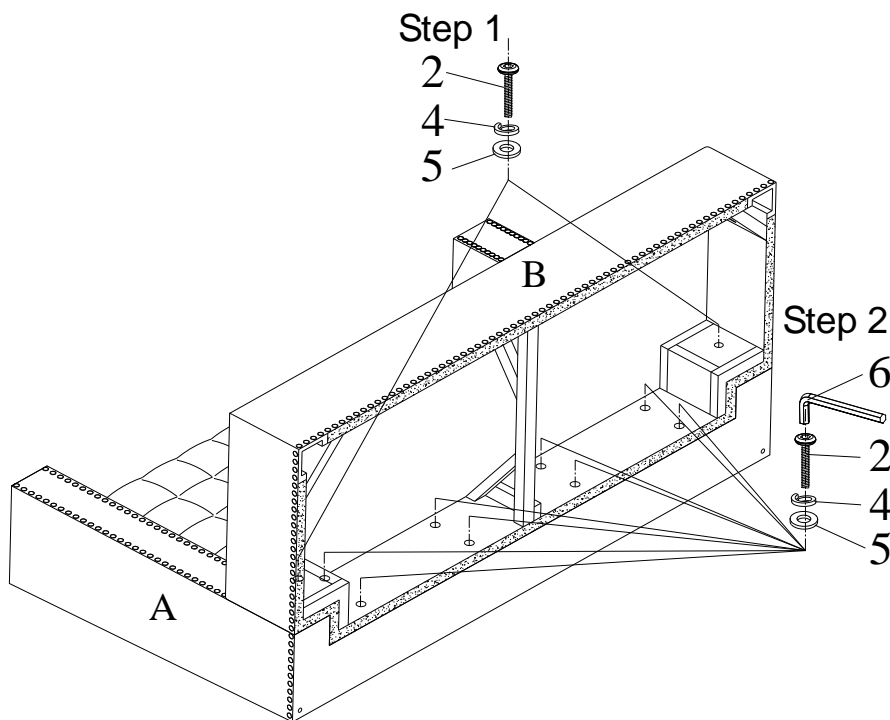


Figure 2

Attach Seat (Part B) to Back (Part A) by inserting Bolt (2) through Spring Washer (4) and Flat Washer (5). Don't tighten Bolts until all Bolts are in place. Tighten Bolts (2) by using Allen Wrench (6) as shown in Figure 2.

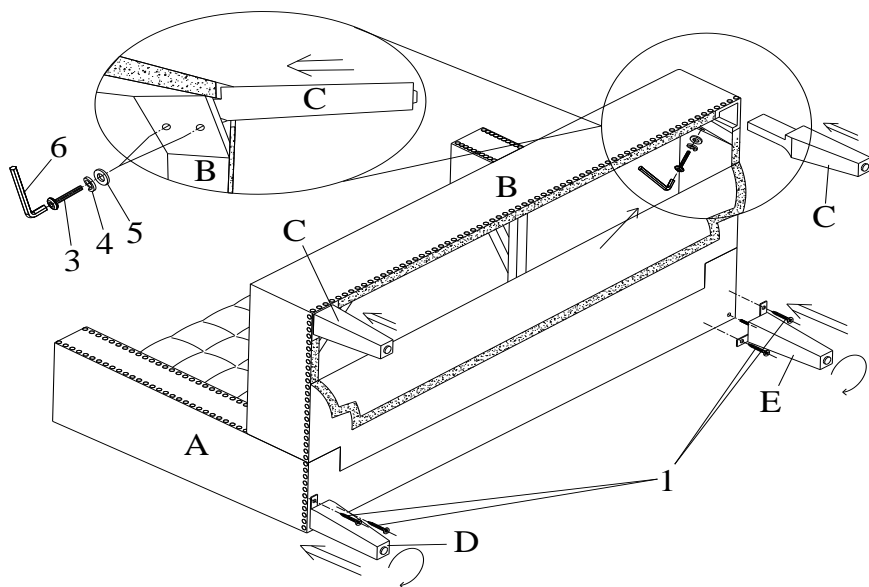


Figure 3

Attach Left Back Leg (part D) and Right Back Leg (part E) into the Seat (A)'s pre-drilled holes, turning legs by hand as shown in Figure 3.

Tighten Left Back Leg (part D) and Right Rack Leg (part E) by Screw (1) with Phillips screwdriver (not included) as shown in figure 3.

Attach the Front Legs (Part C) to the Seat (A) using pre-drilled holes.

Insert Bolt (2) through Spring Washer (4) and Flat Washer (5) into inside pre-drilled holes. tighten Bolt (2) by Allen Wrench (6) as shown in Figure 3.

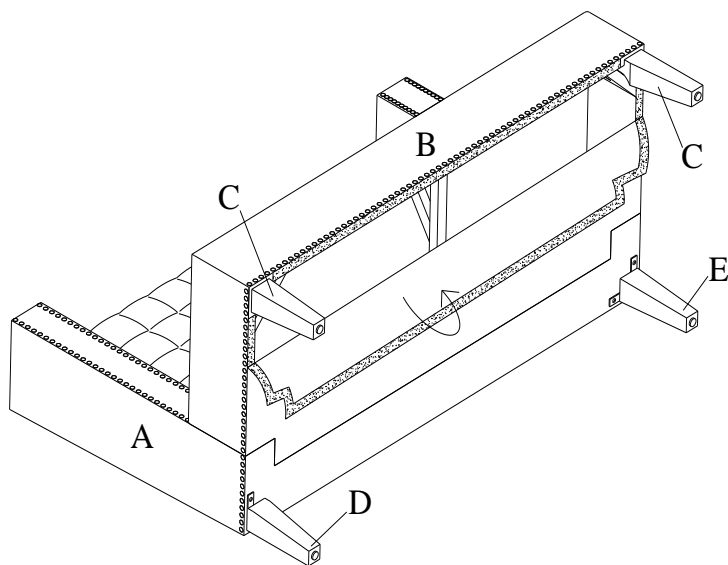


Figure 4

Then close Velcro strip on the bottom of seat (A).

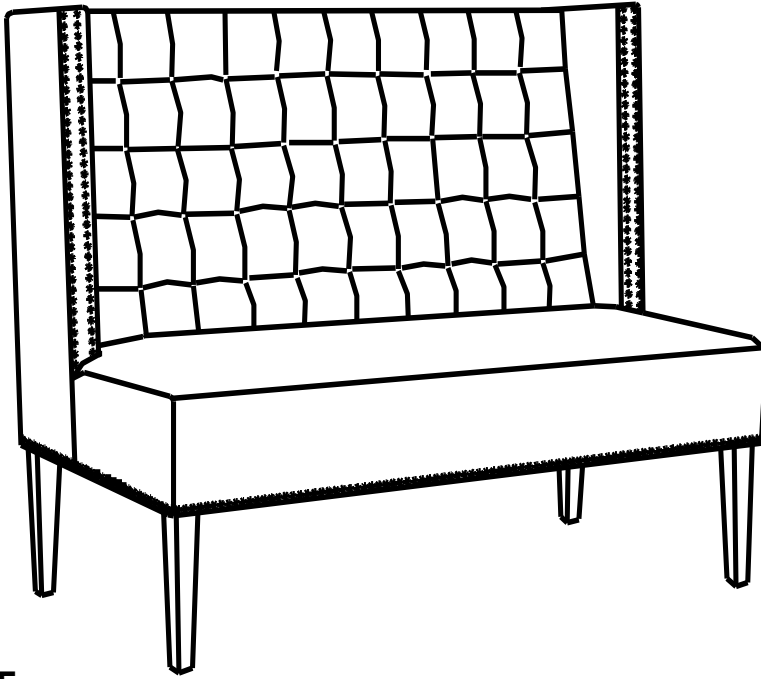


Figure 5

Turn over the Bench,
Now your Bench is ready to use!