

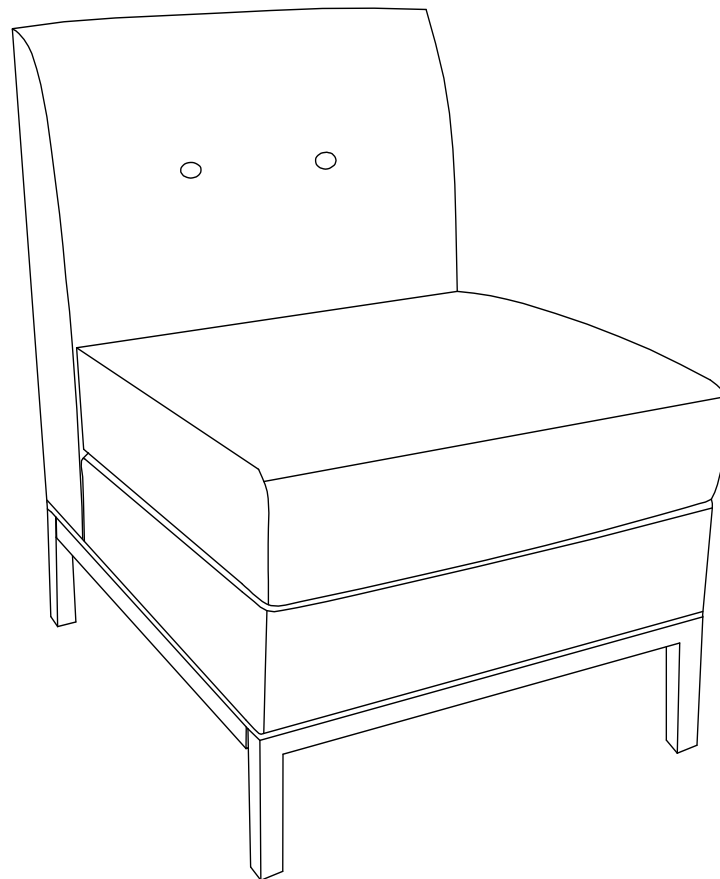
CX1125 slipper chair – brown PU leather

CX1125 slipper chair – black PU leather

Assembly Instructions



For assistance with assembly contact:
Wayfair Customer Service,
877-WAYFAIR (877-929-3247)
www.wayfair.com



SLIPPER CHAIR

Parts List

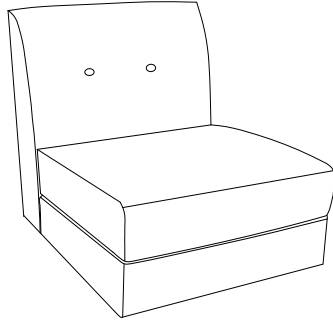
Before beginning assembly, separate all parts and carefully study the parts diagrams below.

Review all parts and hardware before disposing of any packaging.

You may receive extra hardware with your unit.

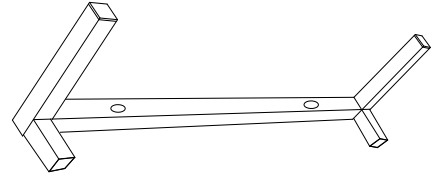
Call Customer Service for missing hardware.

A **Quantity**
of 1



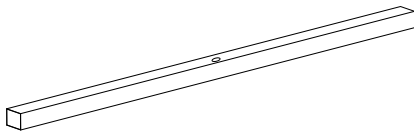
Back & Seat

B **Quantity**
of 2



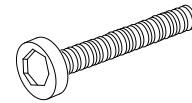
Metal Leg

C **Quantity**
of 2



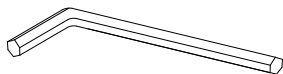
Bottom Rail

1 **Quantity**
of 6



Bolt

2 **Quantity**
of 1



Allen Wrench

Care and Cleaning Instructions:

Please see care and cleaning label attached to bottom of chair seat.

For replacement parts or questions, please call Customer Service at 877-WAYFAIR (877-929-3247)

SLIPPER CHAIR

Assembly Instructions

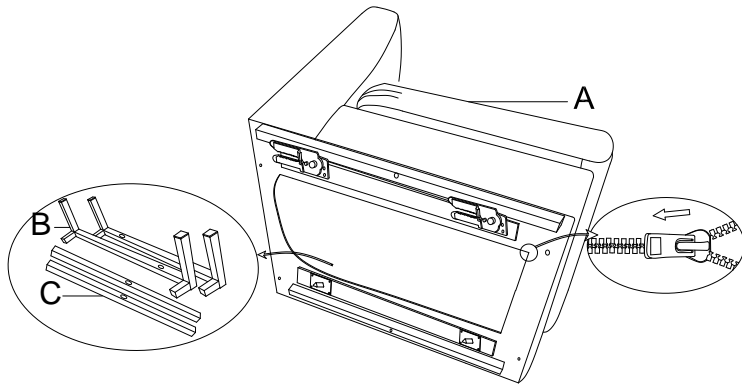


Figure 1

Unpack and lay parts on clean, padded surface like carpet or blanket. Check that you have all parts indicated on the front page.

Pull the zipper on the bottom of Back & Seat (**A**).

Then lift the black dust cover from the bottom of Back & Seat (**A**) and take out the 2 legs (**B**) and the 2 bottom rails (**C**).

Close the black dust cover. Zip up the bottom of Back & Seat (**A**).

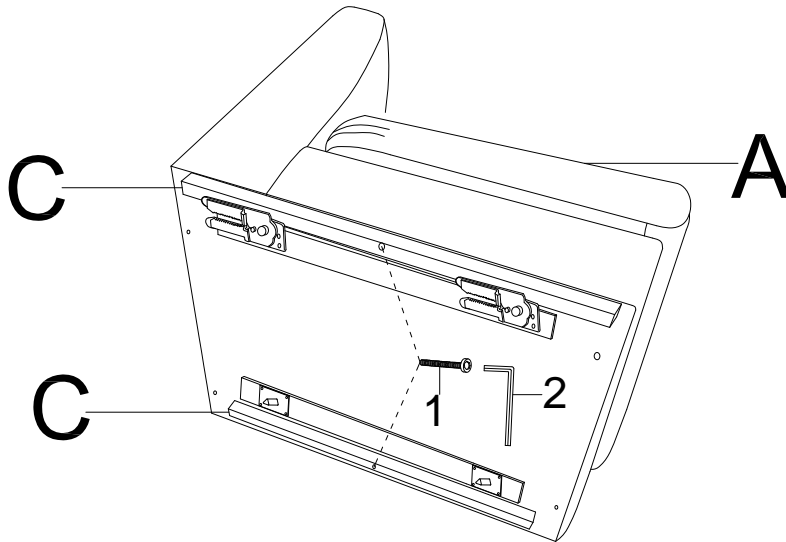


Figure 2

Attach the 2 bottom rails (**C**) to the bottom of Back & Seat (**A**) by bolts (**1**).

Tighten them by using Allen wrench (**2**) as shown on Figure 2

Don't tighten them too tight just yet.

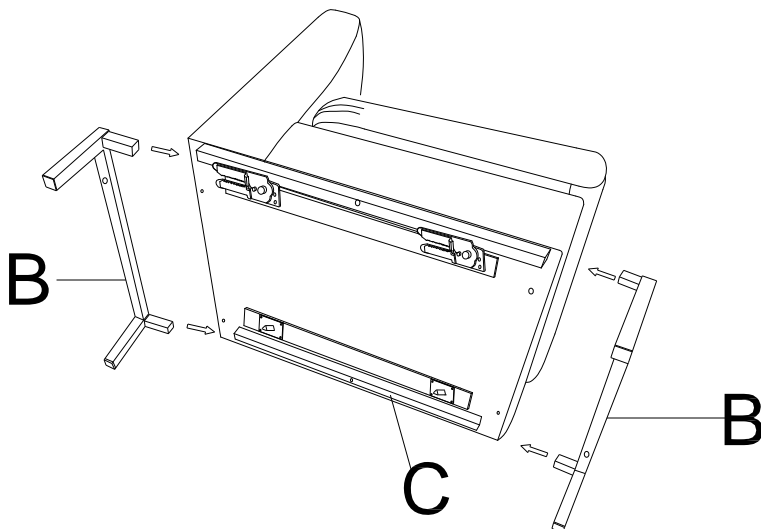


Figure 3

Insert the legs (**B**) into the bottom rails (**C**). Please make sure Legs (**B**)'s tenon go into bottom rails (**C**)' ends.

SLIPPER CHAIR

Assembly Instructions

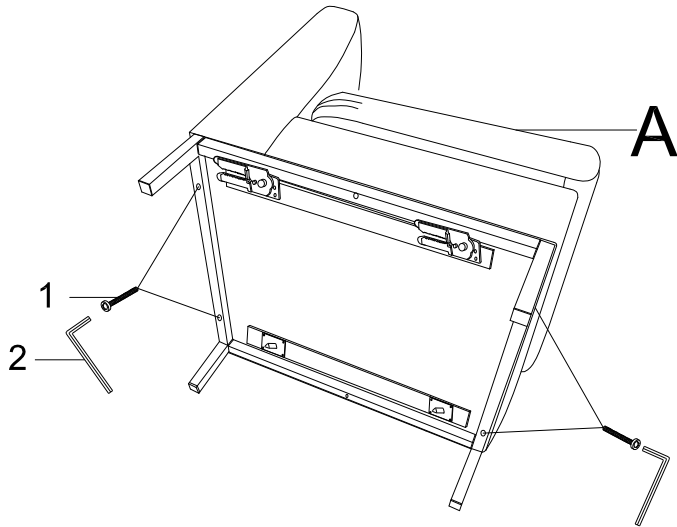


Figure 4

Use 4 bolts (1) to connect legs (B) to the bottom of Back & Seat (A)

Tighten bolts (1) by using Allen wrench (2) as shown on Figure 4.

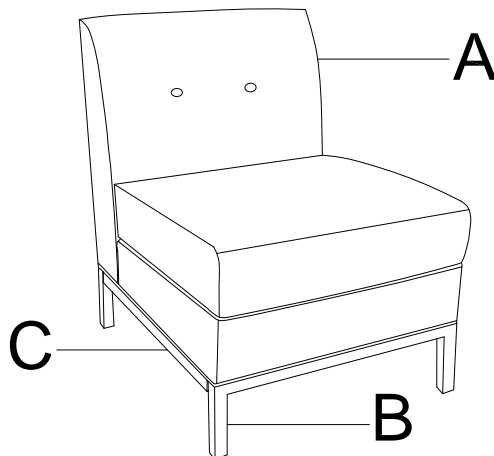


Figure 5

Tighten all bolts.

Turn over the chair.

Now your slipper chair is ready to use!

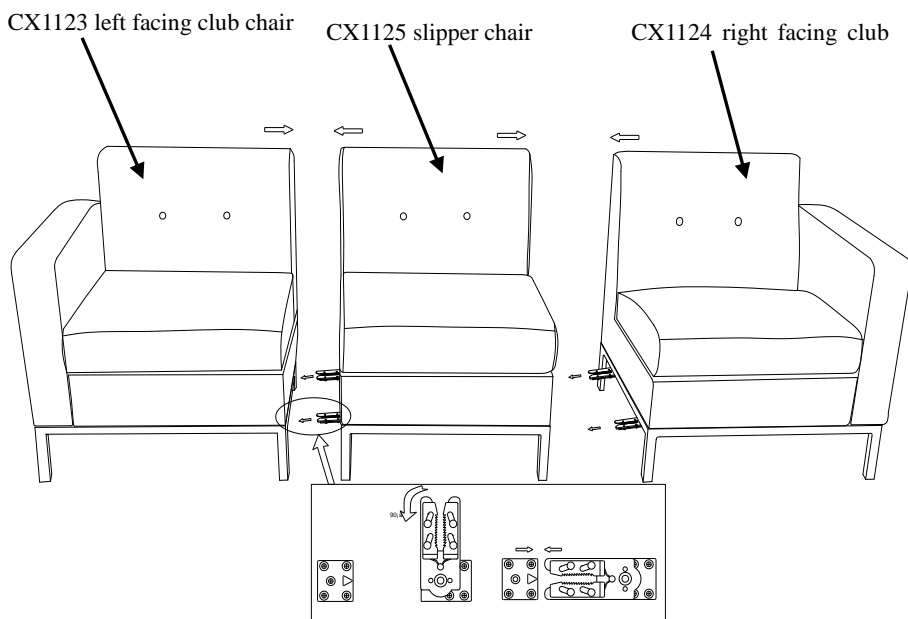


Figure 6

When you need to assemble CX1123 left facing club chair and CX1124 right facing club and CX1125 slipper chair

Please swirl the connector on bottom of CX1124/ CX1125 firstly, then you can put CX1123/ CX1124/ CX1125 together as shown in Figure 6.

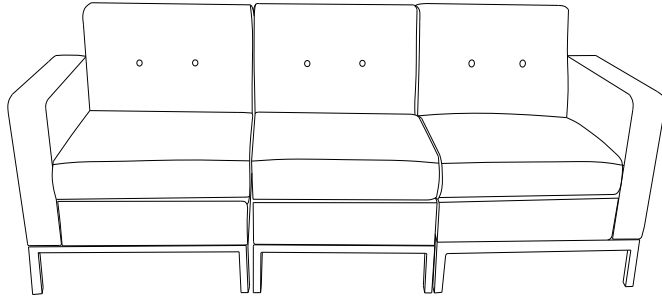


Figure 7

Now your CX1123/ CX1124/
CX1125 whole set chair is ready to
use!