

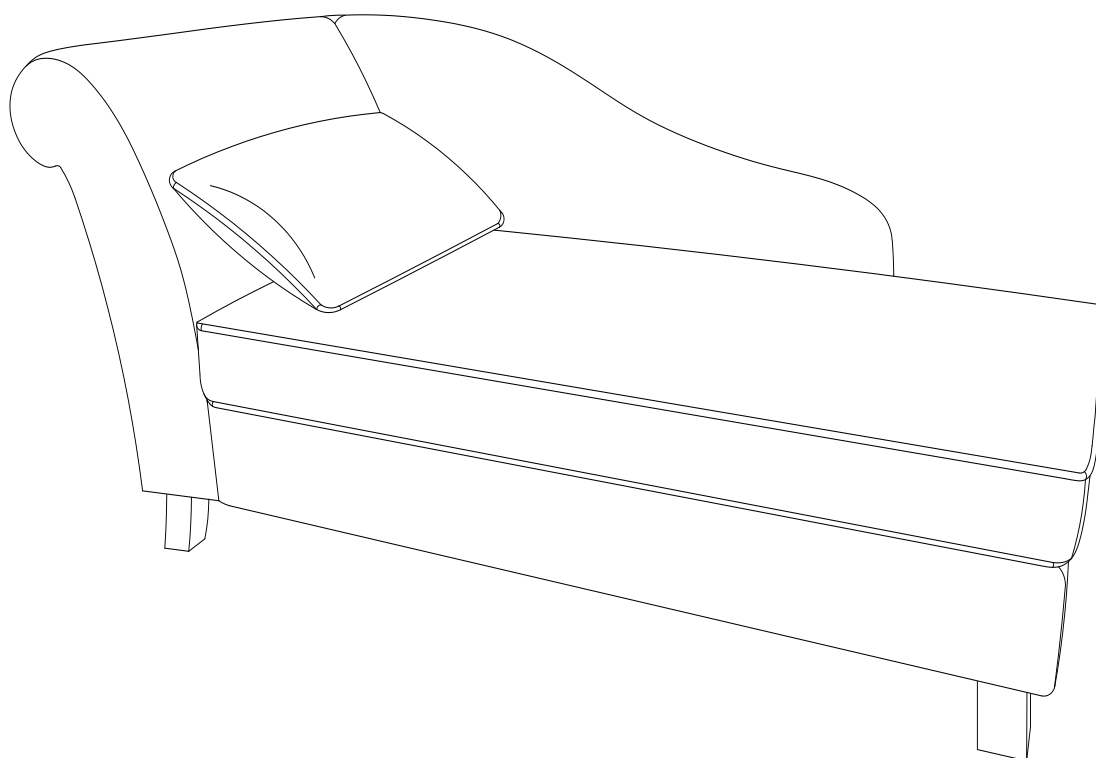
**ZH1292 STORAGE LOUNGE  
-GREY MICRO**

**ZH1292 STORAGE LOUNGE  
-KHAKI MICRO**

**Assembly Instructions**



For assistance with assembly contact:  
Wayfair Customer Service,  
877-WAYFAIR (877-929-3247)  
[www.wayfair.com](http://www.wayfair.com)

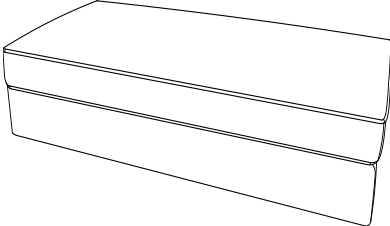


# ZH1292 STORAGE LOUNGE

## Parts List

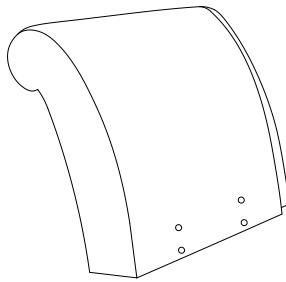
Before beginning assembly, separate all parts and carefully study the parts diagrams below.  
 Review all parts and hardware before disposing of any packaging.  
 You may receive extra hardware with your unit.  
 Call Customer Service for missing hardware.

**A** **Quantity of 1**



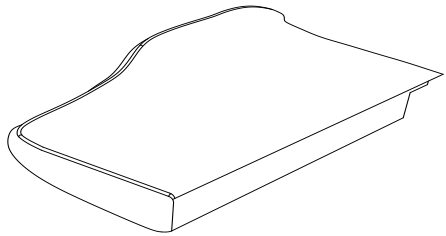
**Seat**

**B** **Quantity of 1**



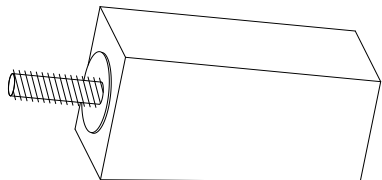
**Back panel**

**C** **Quantity of 1**



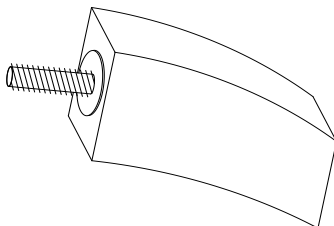
**Side panel**

**D** **Quantity of 2**



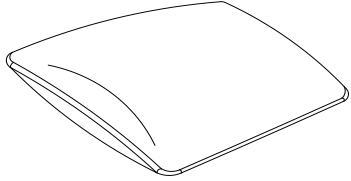
**Front legs**

**E** **Quantity of 2**



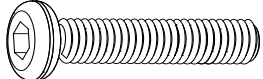
**Back legs**

**F** **Quantity of 1**




**Pillow**

**1** **Quantity of 12**




**Bolt: 5/16" \* 2-3/8" L**

**2** **Quantity of 12**



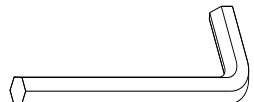
**Spring washer**

**3** **Quantity of 12**



**Flat washer**

**4** **Quantity of 1**



**Allen wrench**

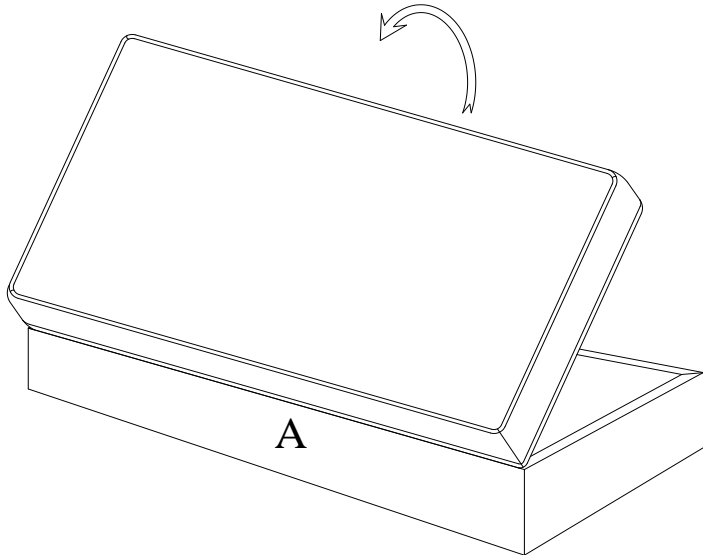
**Care and Cleaning Instructions:**  
 Please see care and cleaning label attached to bottom of chair seat.

For replacement parts or questions, please call Customer Service at 877-WAYFAIR (877-929-3247)

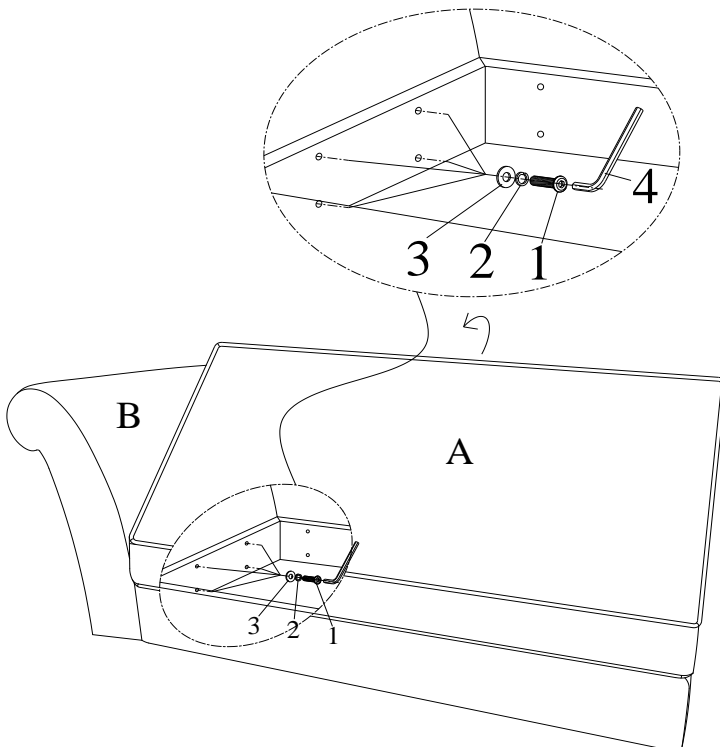
# ZH1292 STORAGE LOUNGE Assembly Instructions

Unpack and lay parts on clean, padded surface like carpet or blanket. Check that you have all parts indicated on the front page.

Open the Seat's (Part A) cover and keep the Seat's (Part A) cover open.

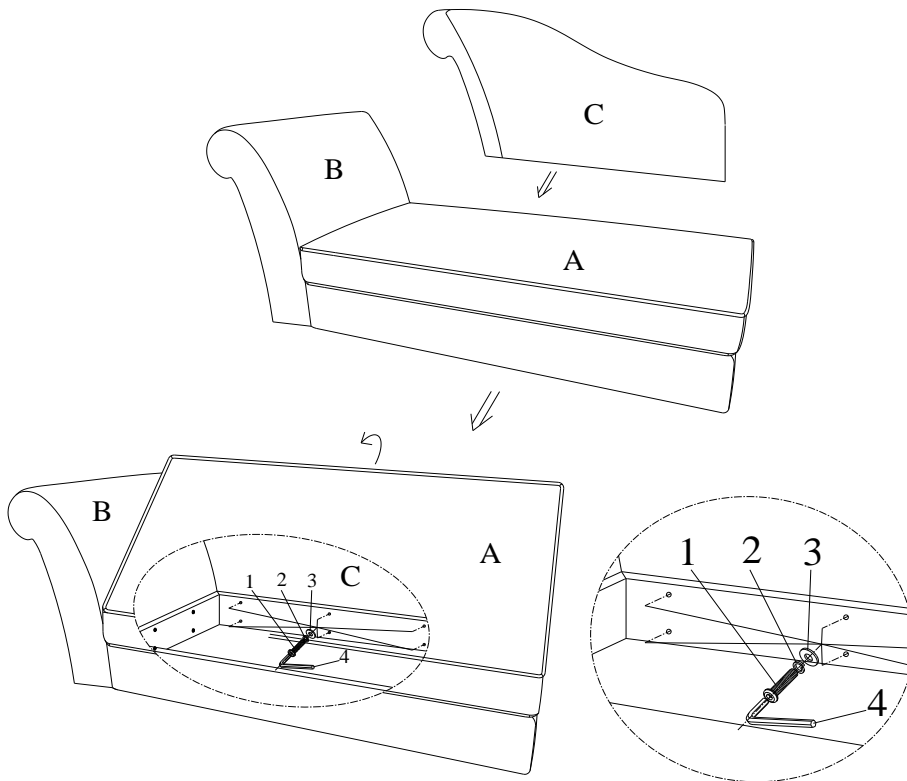


**Figure 1**



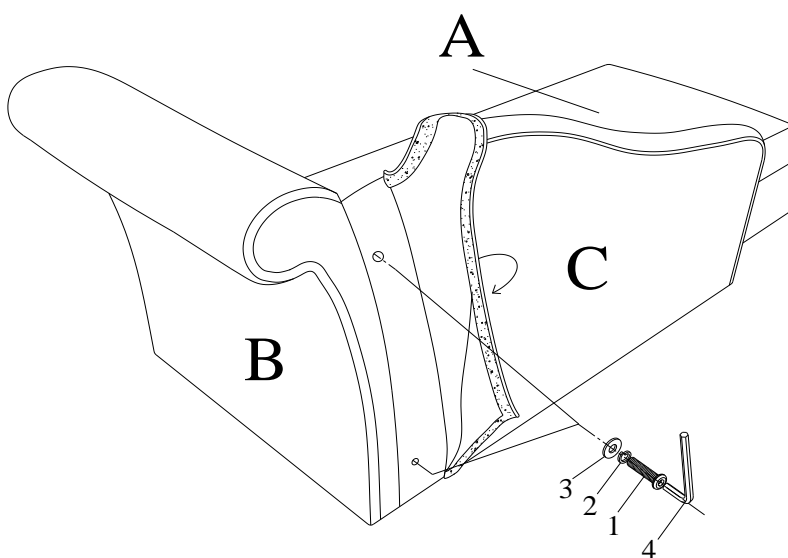
Attach Back panel (Part B) to Seat (Part A) by bolts (1), spring washers (2) and flat washers (3). Tighten them by using Allen wrench (4) as shown in Figure 2.

**Figure 2**



**Figure 3**

Attach Side panel (Part C) to Seat (Part A) and Back panel (Part B) by bolts (1), spring washer (2) and flat washer (3). Tighten them by using Allen wrench (4) as shown in Figure 3.

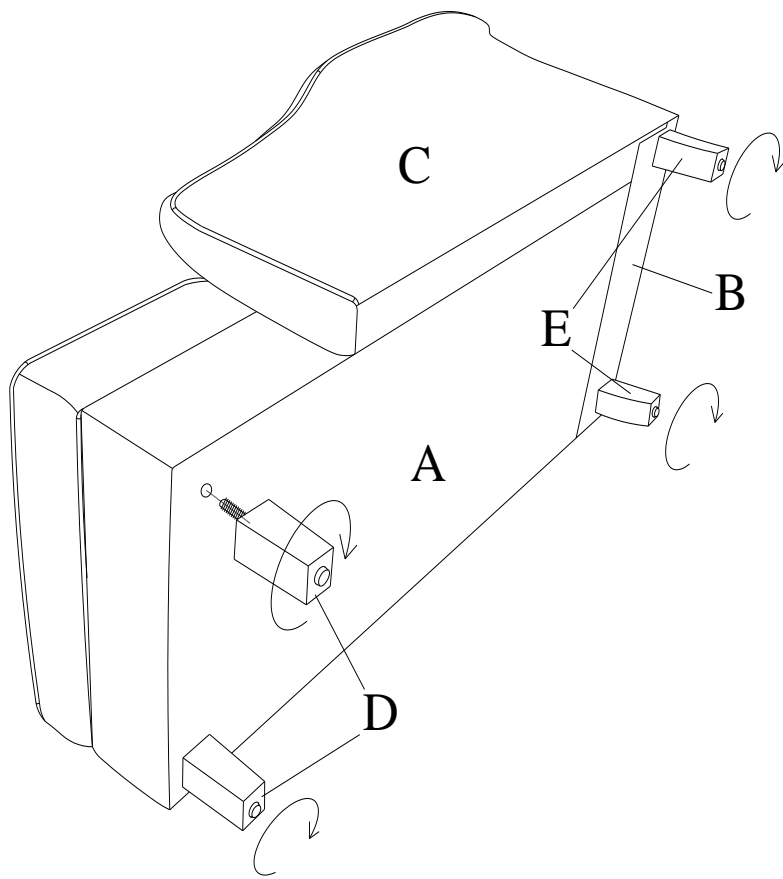


**Figure 4**

Lift the Velcro strip from the Side of side panel (Part C)

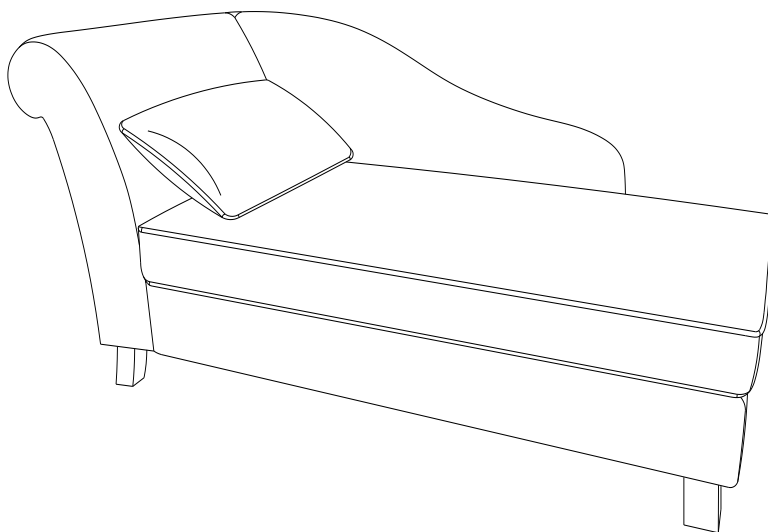
Insert bolt (1), Spring washers (2) and flat washers (3) into inside pre-drilled holes. Tighten bolt (1) by Allen wrench (4) as shown in figure 4.

Then close Velcro strip on the side of side panel(part C)



**Figure 5**

Attach front Legs (Part D) into the seat (A) by hand rotating and attach the back leg(part E) to Back panel (Part B)'s pre-drilled holes by hand rotating, Tighten them by hand as shown in Figure 5.



**Figure 6**

Turn over the lounge,

Then place the Pillow (F) on the lounge as shown.

Now your lounge is ready to use!