

ZH6431 Club Chair – Grey linen

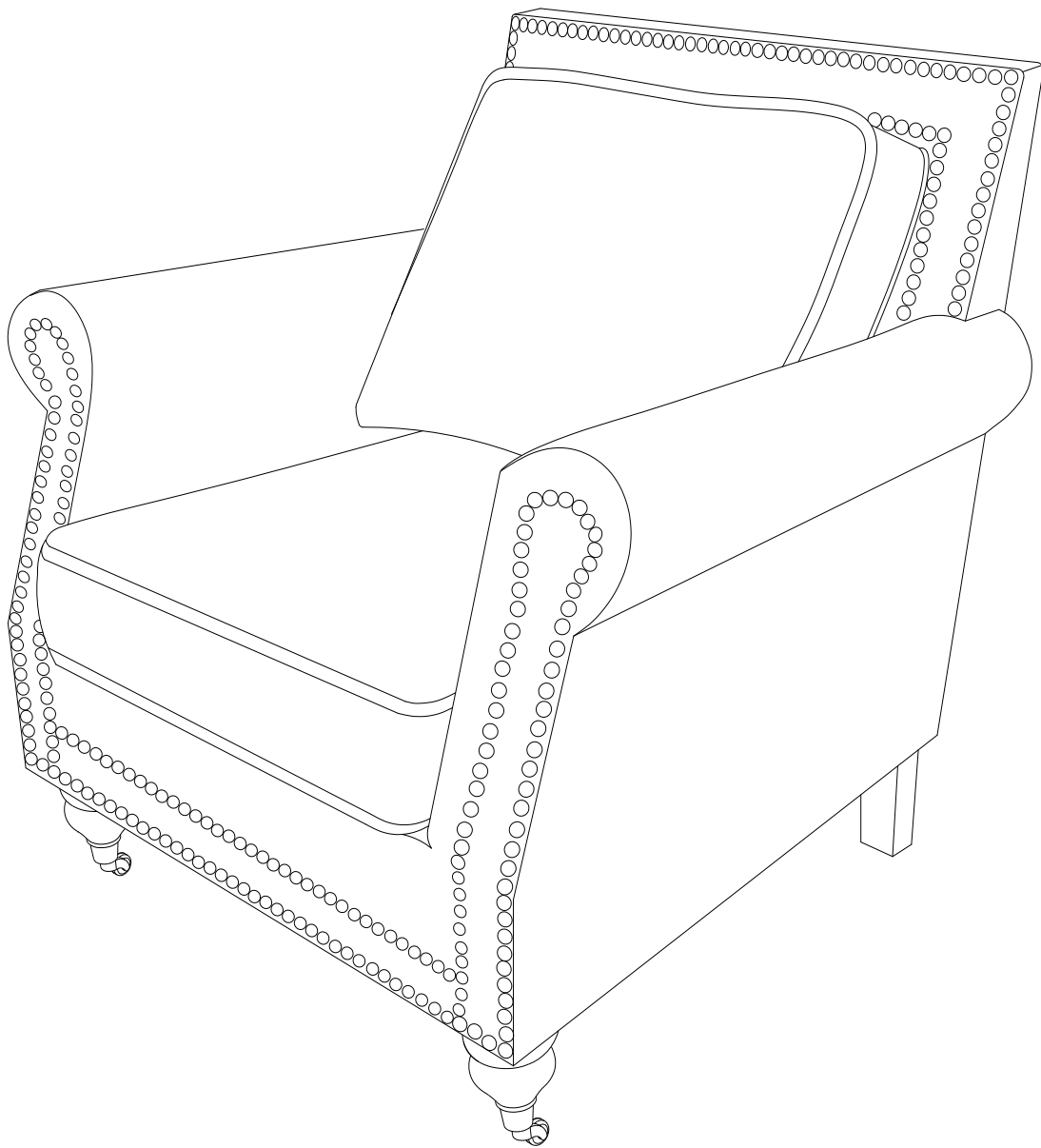
ZH6431 Club Chair – Oatmeal linen

ZH6431 Club Chair – White linen

Assembly Instructions



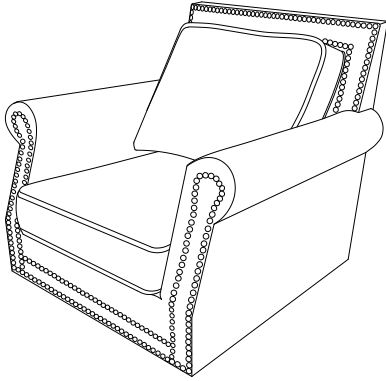
For assistance with assembly contact:
Wayfair Customer Service,
877-WAYFAIR (877-929-3247)
www.wayfair.com



ZH6431 Club Chair Parts List

Before beginning assembly, separate all parts and carefully study the parts diagrams below.
Review all parts and hardware before disposing of any packaging.
You may receive extra hardware with your unit.
Call Customer Service for missing hardware.

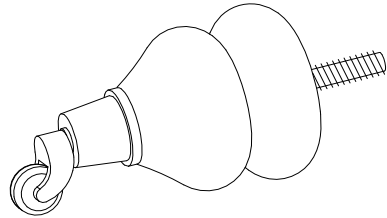
A



**Quantity
of 1**

Seat

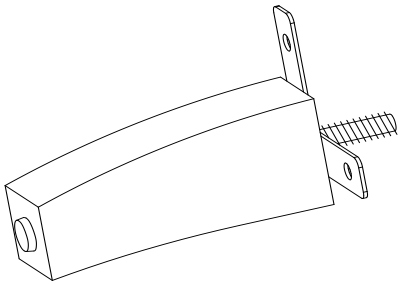
B



**Quantity
of 2**

Front legs

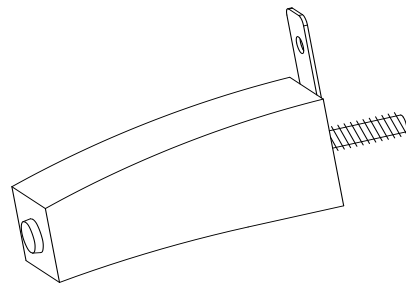
C



**Quantity
of 1**

Left back leg

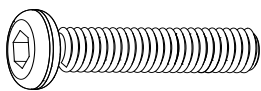
D



**Quantity
of 1**

Right back leg

1



**Quantity
of 4**

Bolt: 5/16" * 1" L

2



**Quantity
of 4**

Spring washer

3



**Quantity
of 4**

Flat washer

4



**Quantity
of 1**

Allen wrench

Care and Cleaning Instructions:

Please see care and cleaning label attached to bottom of chair seat.

For replacement parts or questions, please call Customer Service at 877-WAYFAIR (877-929-3247)

ZH6431 Club Chair Assembly Instructions

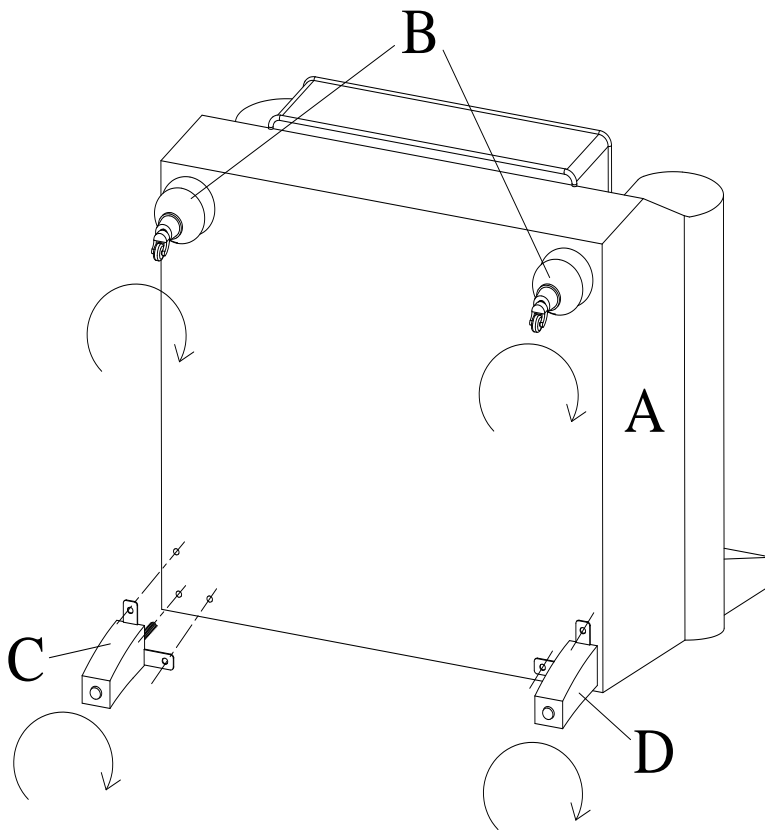


Figure 1

Unpack and lay parts on clean, padded surface like carpet or blanket. Check that you have all parts indicated on the front page.

Open the legs box and take out the legs.

Attach front Legs (Part B), left back leg (part C) and the right back leg (Part D) into the seat (A)'s pre-drilled holes by hand rotating.

Tighten them by hand as shown in Figure 1.

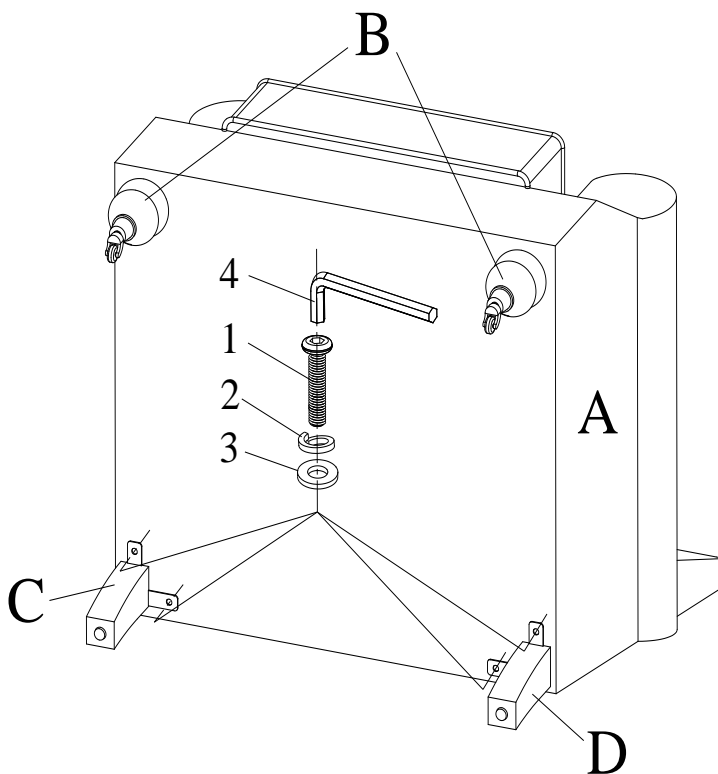


Figure 2

Insert bolt (1), Spring washers (2) and flat washers (3) into back leg's metal plate pre-drilled holes. Tighten bolt (1) by Allen wrench (4) as shown Figure 2.

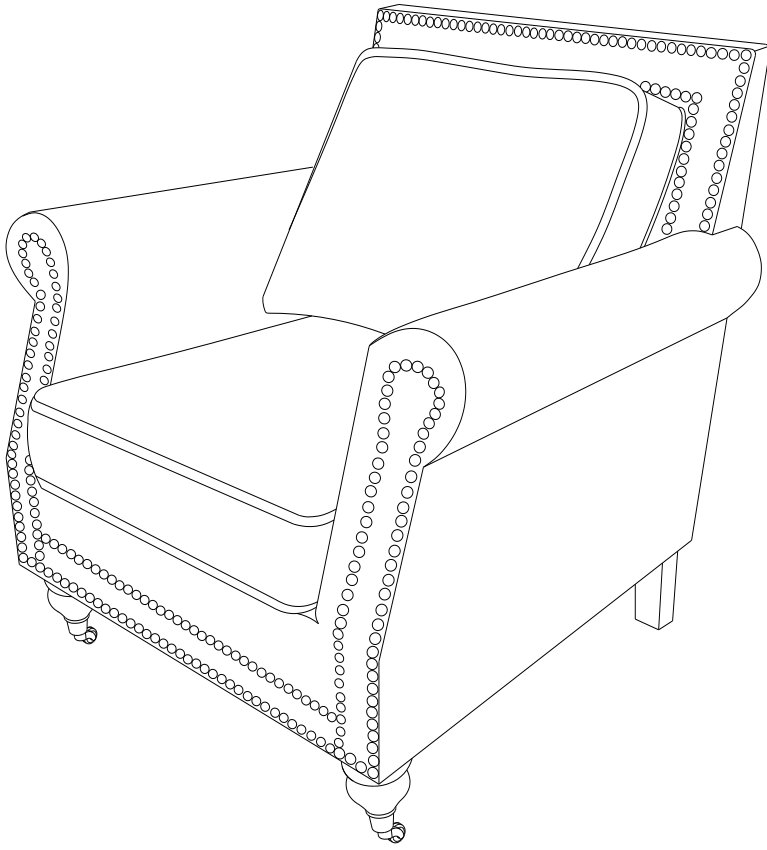


Figure 3

Turn over the Chair,
Now your chair is ready to use!