

ZH2688 Club Chair – Grey linen

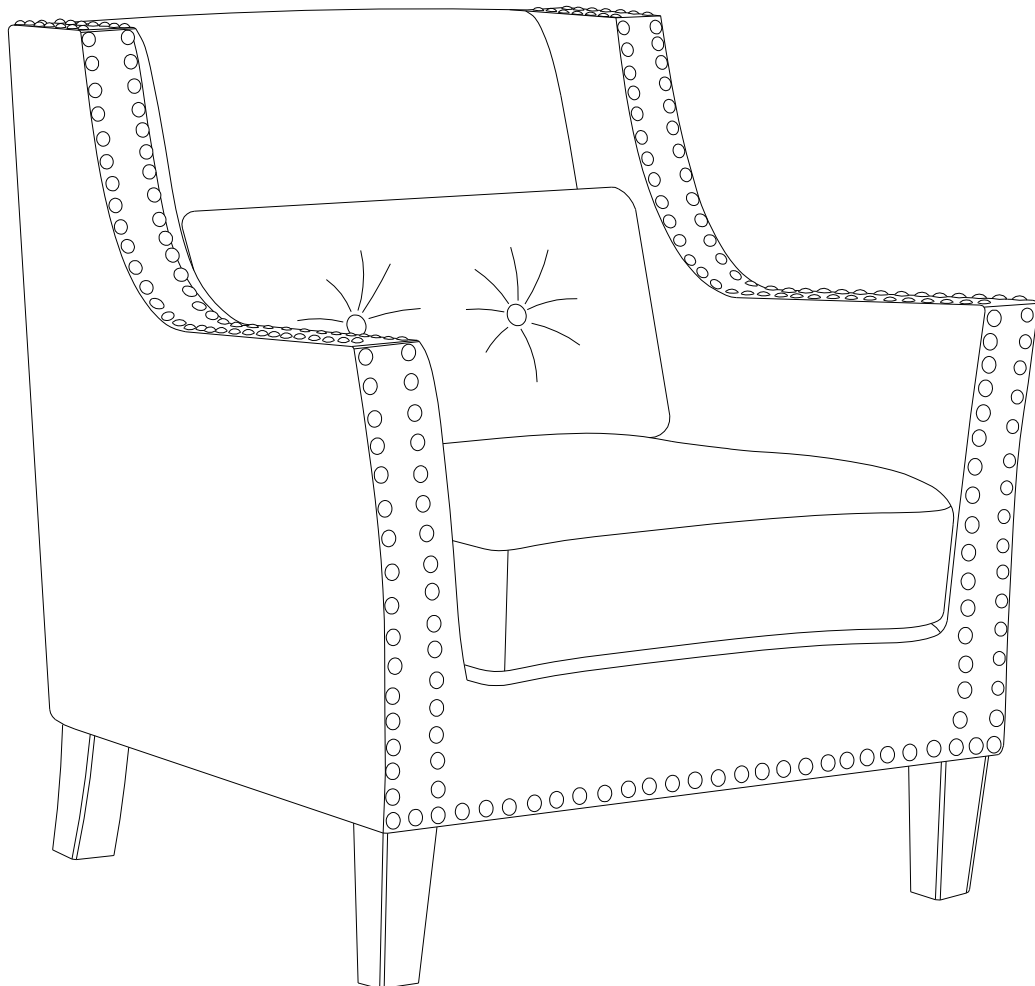
ZH2688 Club Chair – Oatmeal linen

ZH2688 Club Chair – White linen

Assembly Instructions

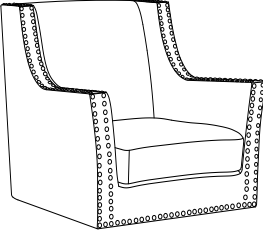
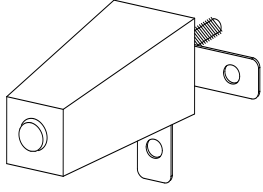
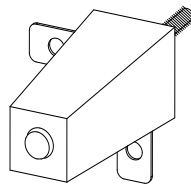
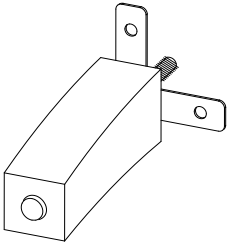
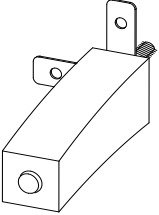
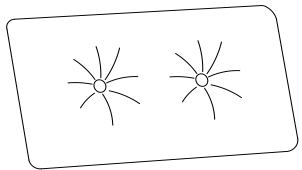
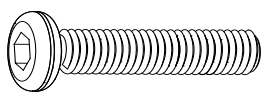


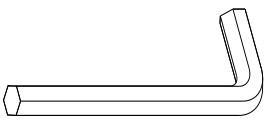


For assistance with assembly contact:
Wayfair Customer Service,
877-WAYFAIR (877-929-3247)
www.wayfair.com



ZH2688 Club Chair Parts List

Before beginning assembly, separate all parts and carefully study the parts diagrams below.
Review all parts and hardware before disposing of any packaging.
You may receive extra hardware with your unit.
Call Customer Service for missing hardware.

<p>A</p>  <p>Quantity of 1</p> <p>Seat</p>	<p>B</p>  <p>Quantity of 1</p> <p>Left front leg</p>
<p>C</p>  <p>Quantity of 1</p> <p>Right front leg</p>	<p>D</p>  <p>Quantity of 1</p> <p>Left back leg</p>
<p>E</p>  <p>Quantity of 1</p> <p>Right back leg</p>	<p>F</p>  <p>Quantity of 1</p> <p>Pillow</p>
<p>1</p>  <p>Quantity of 8</p> <p>Bolt: 5/16" * 1" L</p>	<p>2</p>  <p>Quantity of 8</p> <p>Spring washer</p>
<p>3</p>  <p>Quantity of 8</p> <p>Flat washer</p>	<p>4</p>  <p>Quantity of 1</p> <p>Allen wrench</p>
<p>Care and Cleaning Instructions: Please see care and cleaning label attached to bottom of chair seat.</p>	<p>For replacement parts or questions, please call Customer Service at 877-WAYFAIR (877-929-3247)</p>

ZH2688 Club Chair Assembly Instructions

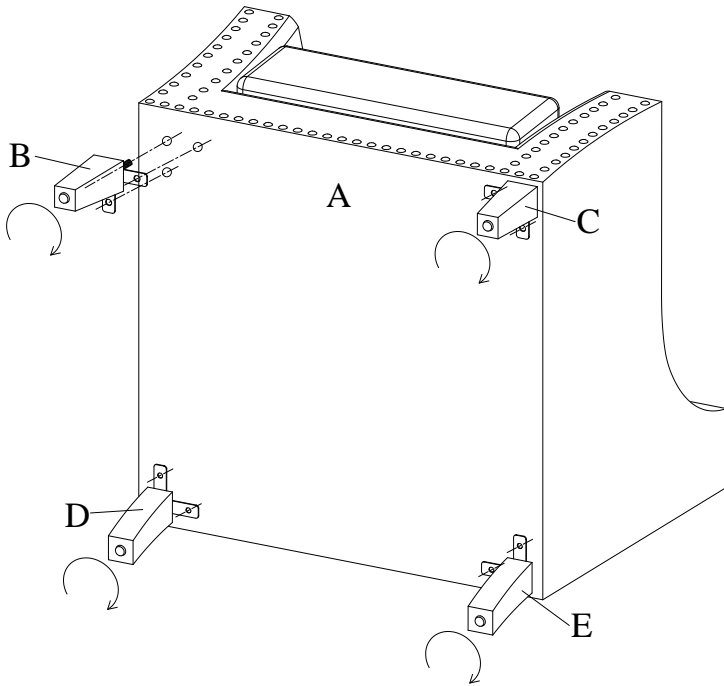


Figure 1

Unpack and lay parts on clean, padded surface like carpet or blanket. Check that you have all parts indicated on the front page.

Open the legs box and take out the legs.

Attach left front Leg (Part B), right front leg (Part C), left back leg (Part D) and right back leg (Part E) into the seat (A)'s pre-drilled holes by hand rotating. Tighten them by hand as shown in Figure 1.

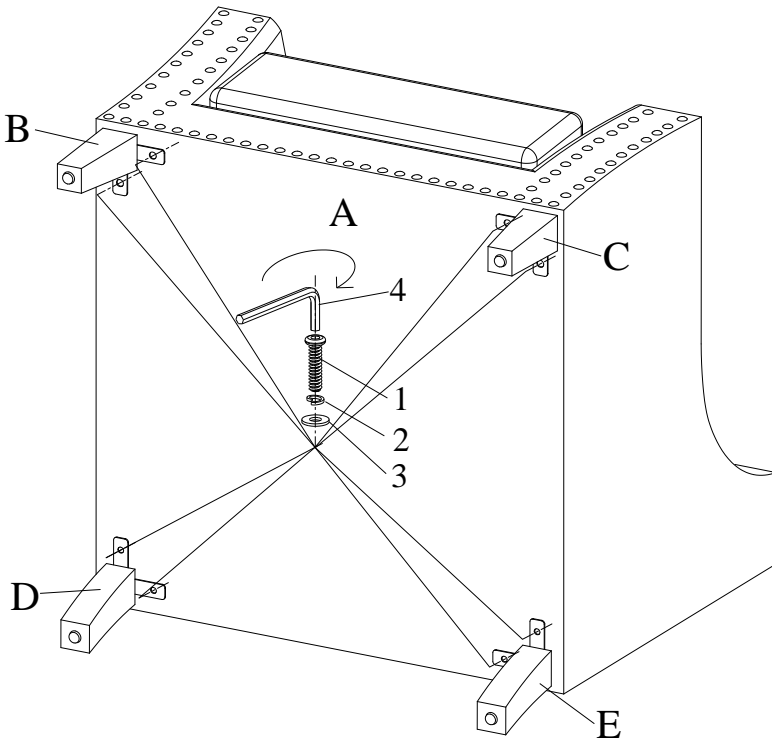


Figure 2

Insert bolts (1) and Spring washers (2) and flat washers (3) into leg's metal plate pre-drilled holes. Tighten bolts (1) by Allen wrench (4) as shown Figure 2.

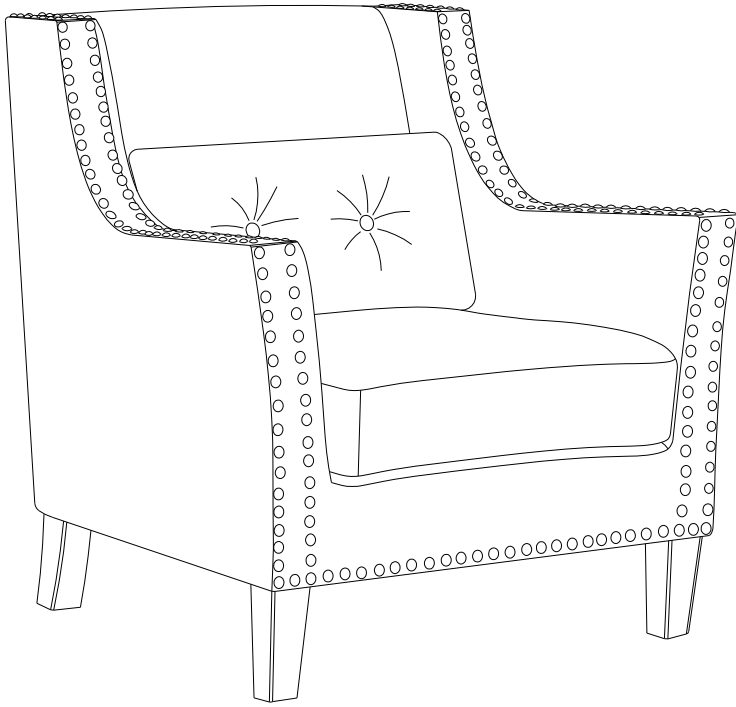


Figure 3

Turn over the Chair,

Then place the Pillow (F) on the
chair as shown.

Now your chair is ready to use!