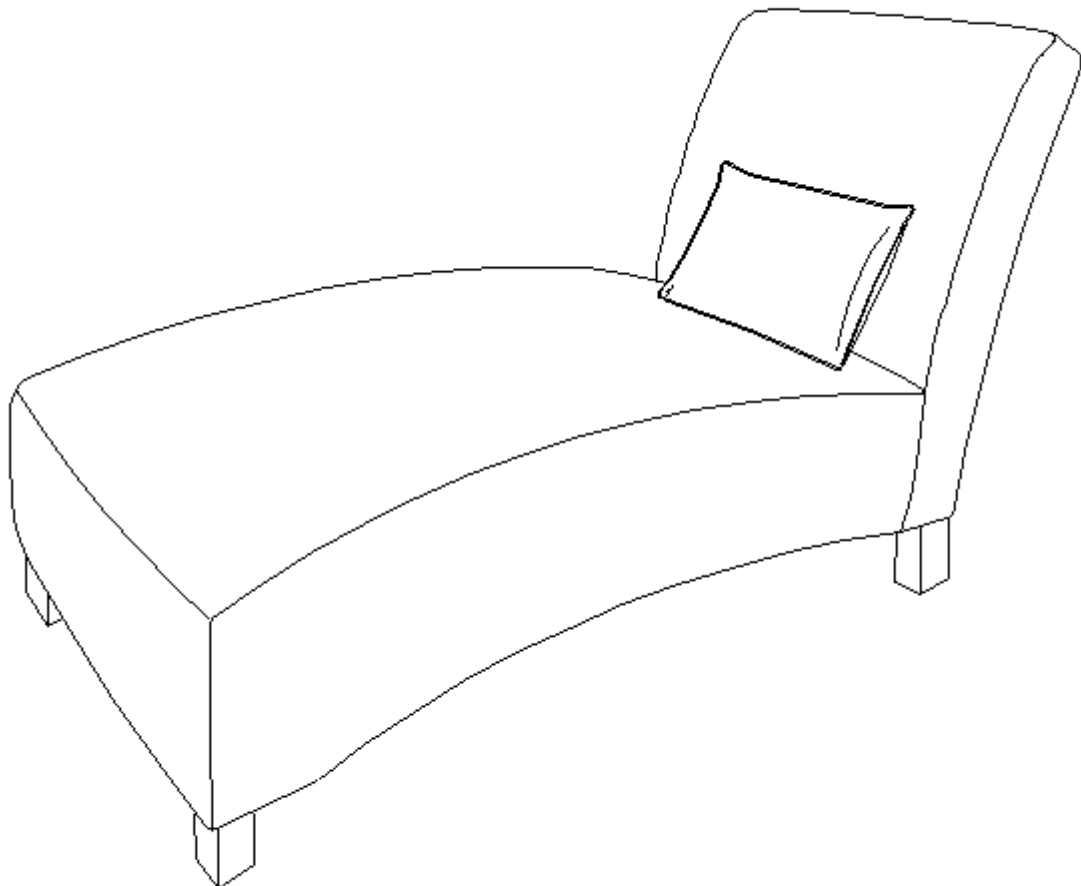


**CASTLETON**  
HOME

ZH1261 CHAISE LOUNGE -BROWN MICRO  
ZH1261 CHAISE LOUNGE-GREY MICRO  
ZH1261 CHAISE LOUNGE-KHAKI MICRO

**Assembly Instructions**

For assistance with assembly contact:  
Wayfair Customer Service,  
877-WAYFAIR (877-929-3247)  
[www.wayfair.com](http://www.wayfair.com)

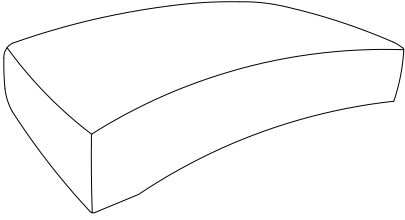


# ZH1261 CHAISE LOUNGE

## Parts List

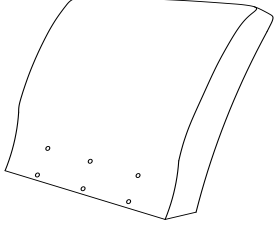
Before beginning assembly, separate all parts and carefully study the parts diagrams below.  
 Review all parts and hardware before disposing of any packaging.  
 You may receive extra hardware with your unit.  
 Call Customer Service for missing hardware.

**A** **Quantity  
of 1**



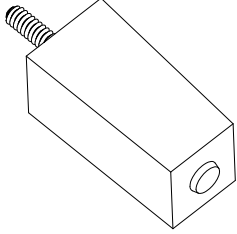
**Seat**

**B** **Quantity  
of 1**



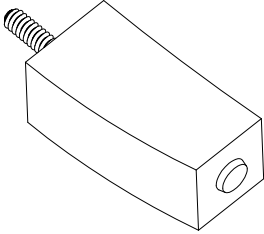
**Back panel**

**C** **Quantity  
of 2**



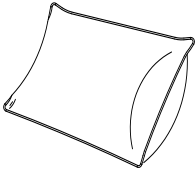
**Front legs**

**D** **Quantity  
of 2**



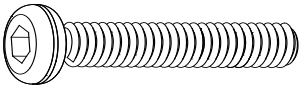
**Back legs**

**E** **Quantity  
of 1**




**Pillow**

**1** **Quantity  
of 6**



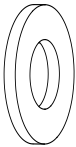
**Bolt:5/16" \*2-1/2" L**

**2** **Quantity  
of 6**




**Spring washer**

**3** **Quantity  
of 6**



**Flat washer**

**4** **Quantity  
of 1**



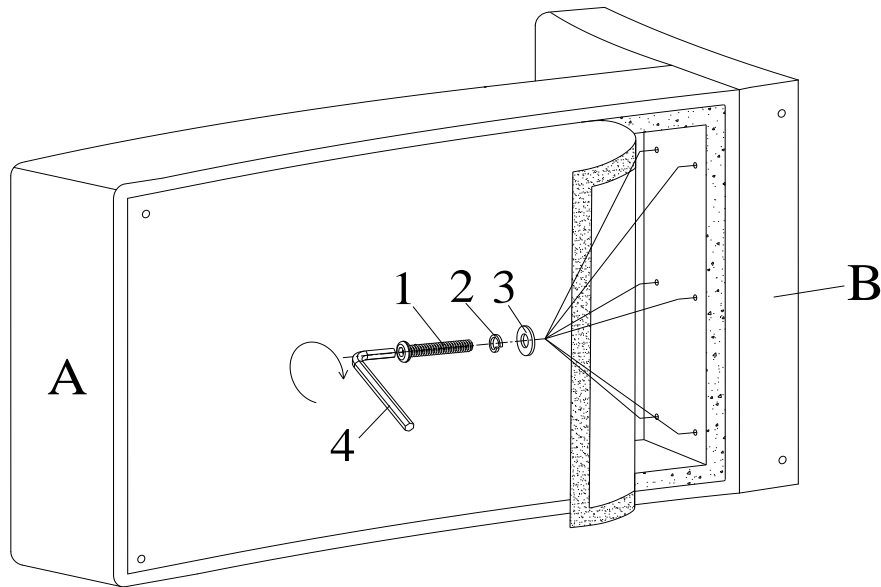
**Allen wrench**

**Care and Cleaning Instructions:**  
 Please see care and cleaning label attached to bottom of chair seat.

For replacement parts or questions, please call Customer Service at 877-WAYFAIR (877-929-3247)

# ZH1261 CHAISE LOUNGE

## Assembly Instructions



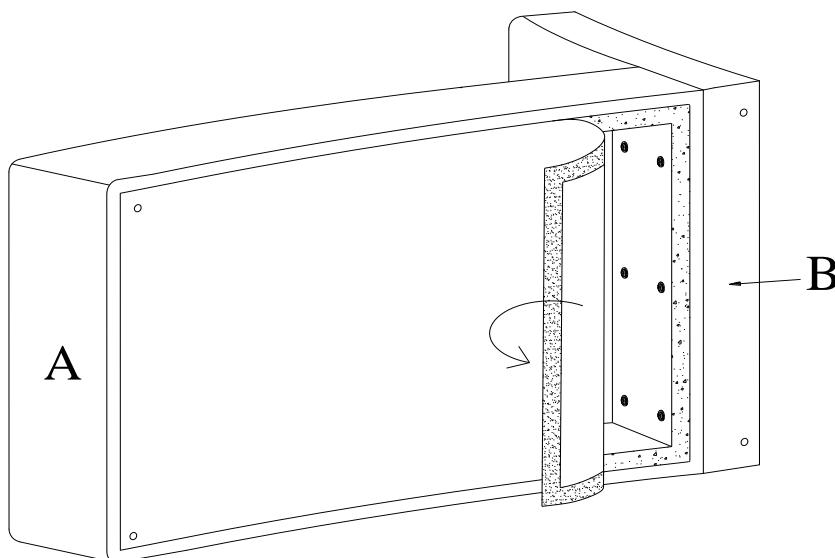
**Figure 1**

Unpack and lay parts on clean, padded surface like carpet or blanket. Check that you have all parts indicated on the front page.

Open the legs box, then take out legs.

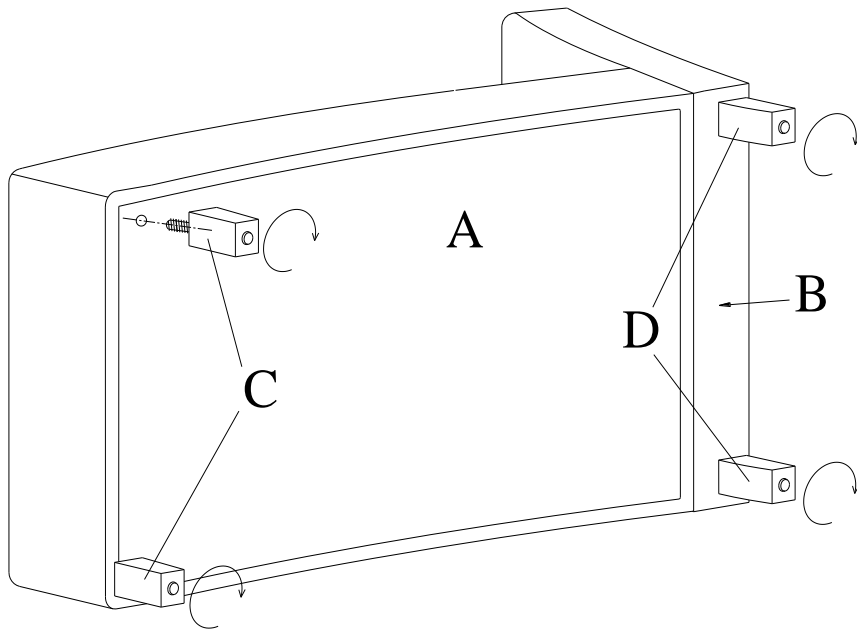
Lift the Velcro strip from the bottom of Seat (Part A).

Attach Back panel (Part B) to Seat (Part A) by bolts (1) and spring washer (2) and flat washer (3), Tighten them by using Allen wrench (4) as shown in Figure 2.



**Figure 2**

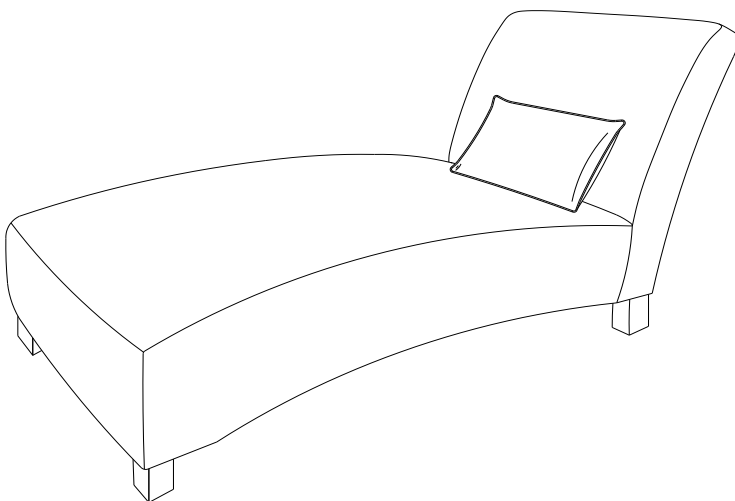
Then close Velcro strip on the bottom of Seat (Part A) as shown.



**Figure 3**

Attached front Legs (Part C) and the back legs (part D) into the seat (A)'s pre-drilled holes by hand rotating way, Tighten them by hand as shown in Figure 1.

Please make sure all legs are in the proper orientation.



**Figure 4**

Turn over the chaise lounge, Then place the Pillow on the lounge as shown.

Now your chaise lounge is ready to use!