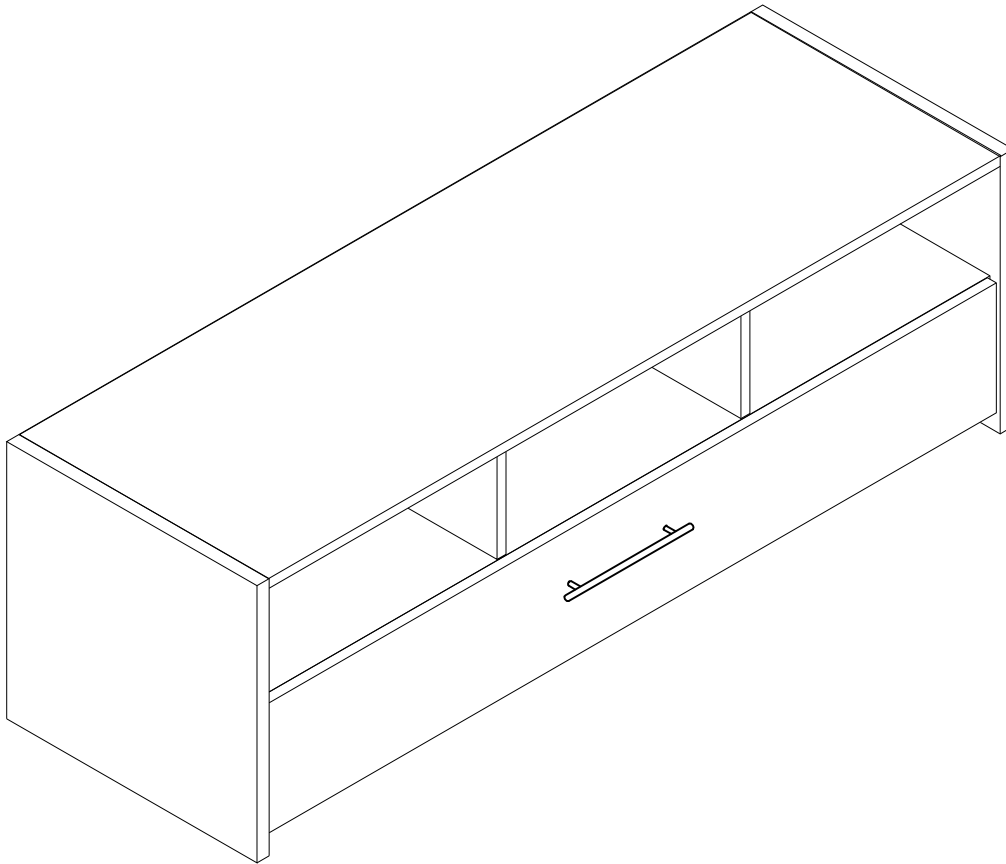


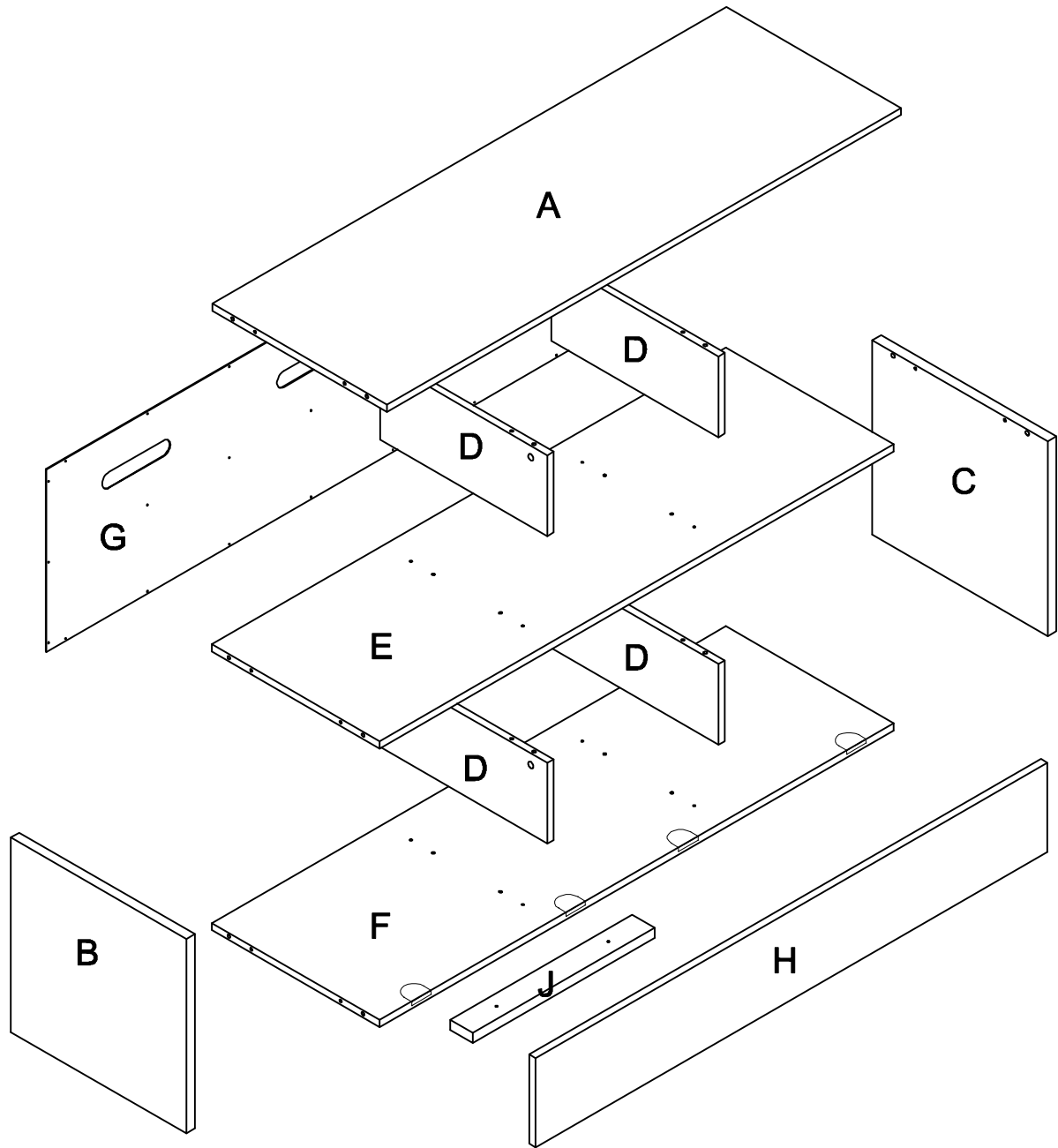


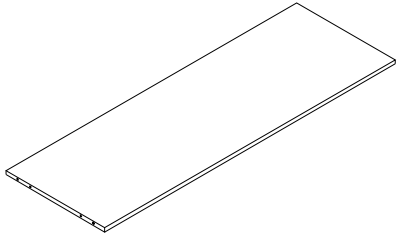
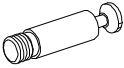

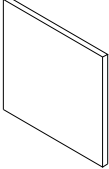
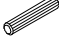

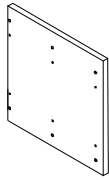

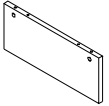
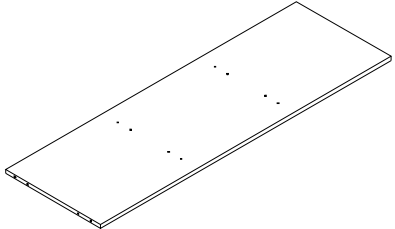

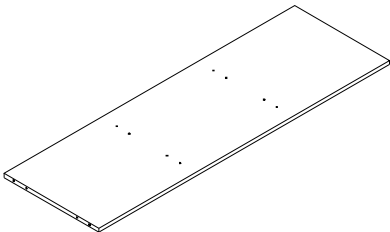

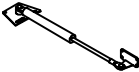
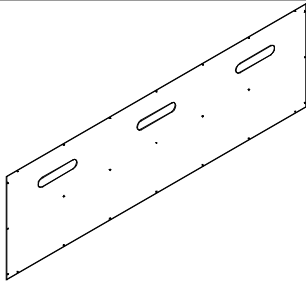

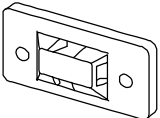
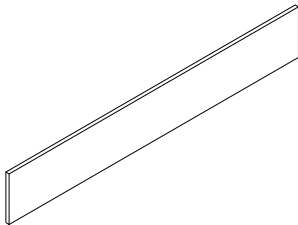


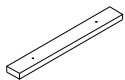
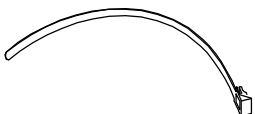
ASSEMBLY INSTRUCTIONS
ITEM: FV21035
DES: CEDAR RAPIDS 60" TV STAND



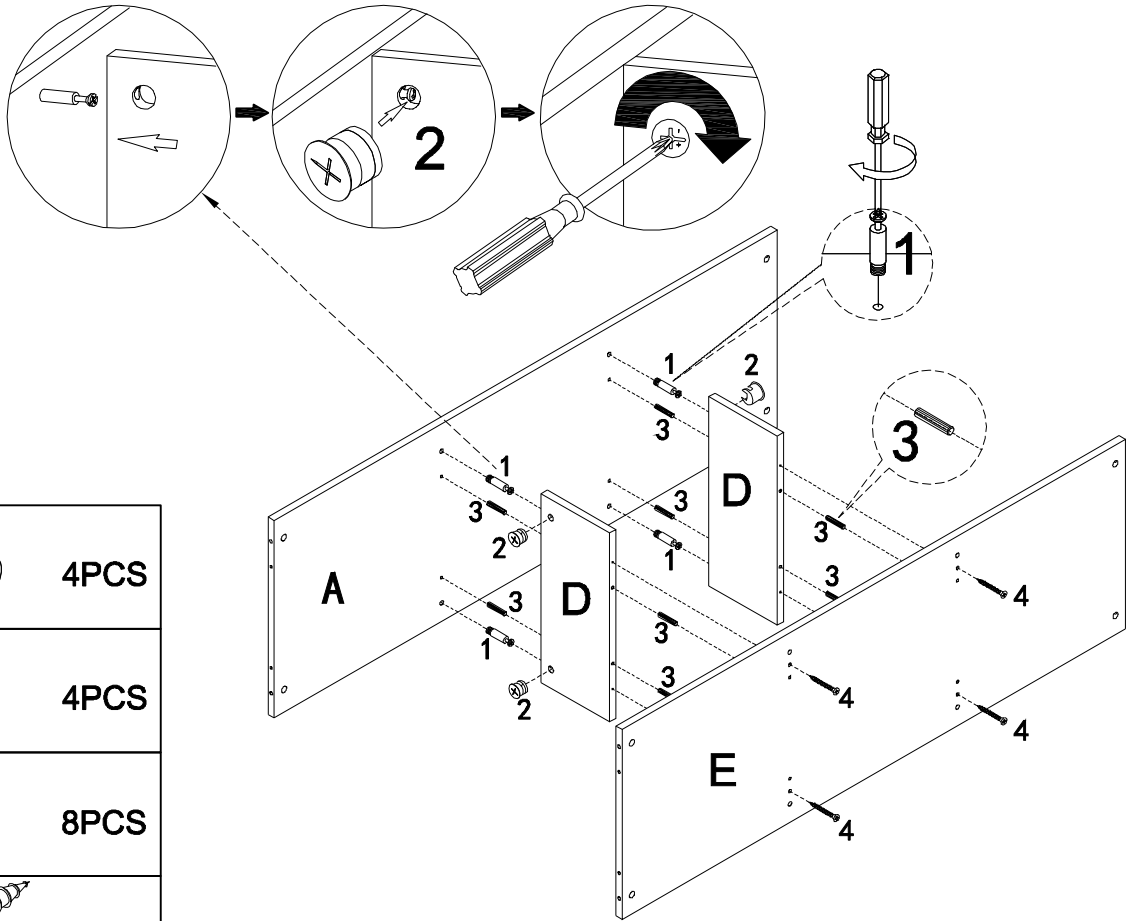
**If you have any questions about the product or assembly,
please call Wayfair.com at 1-877-929-3247.**

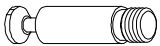

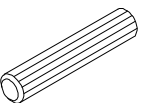
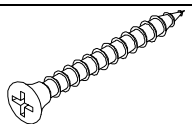
Detailed View



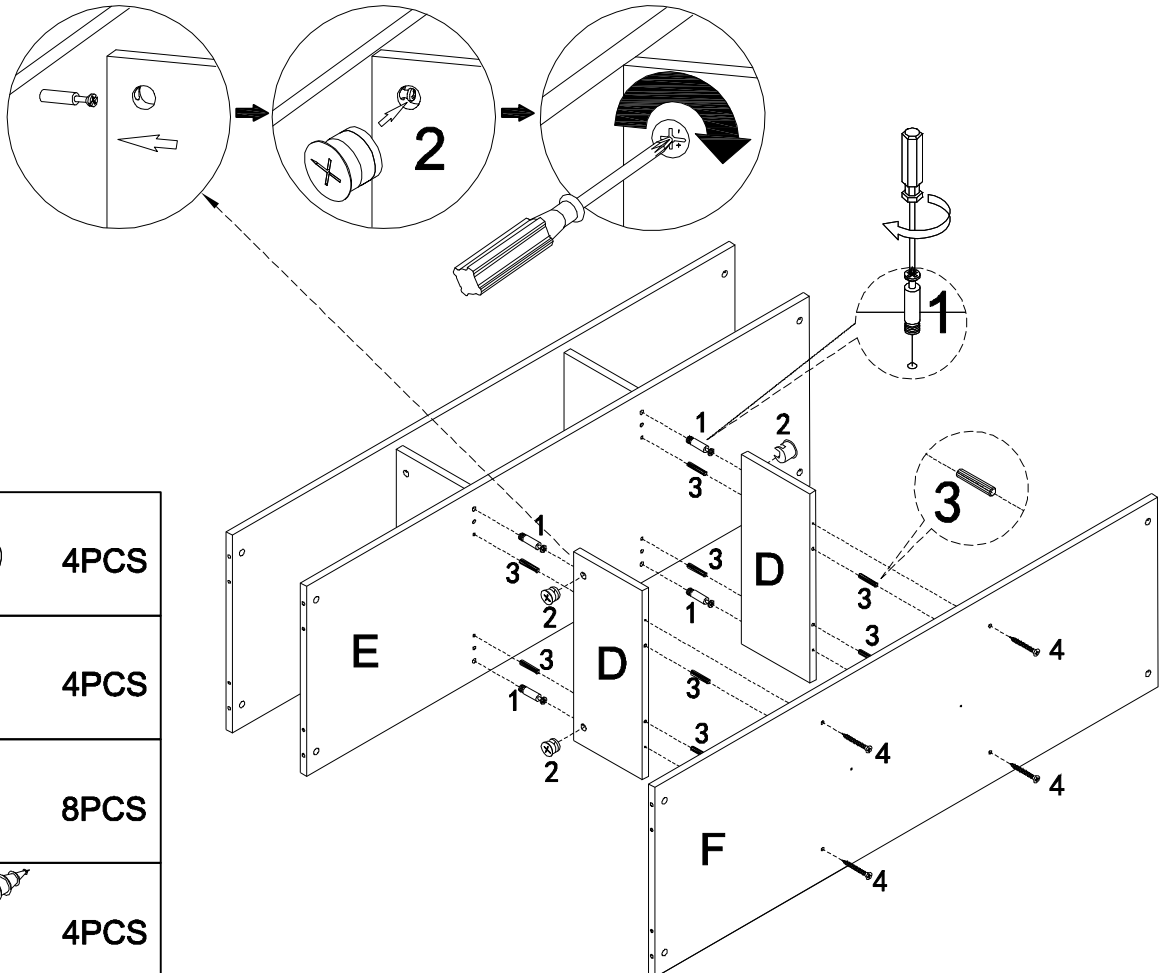
Parts List		Qty.	Hardware		Qty.
A		1	1		20
			2		20
B		1	3		28
			4		10
C		1	5		24
			D		4
E		1			
			8		2
F		1	9		41
			10		2
G		1	11		2
			12		4
H		1	13		4
			14		4
J		1	15		2



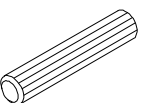
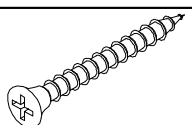
STEP 1



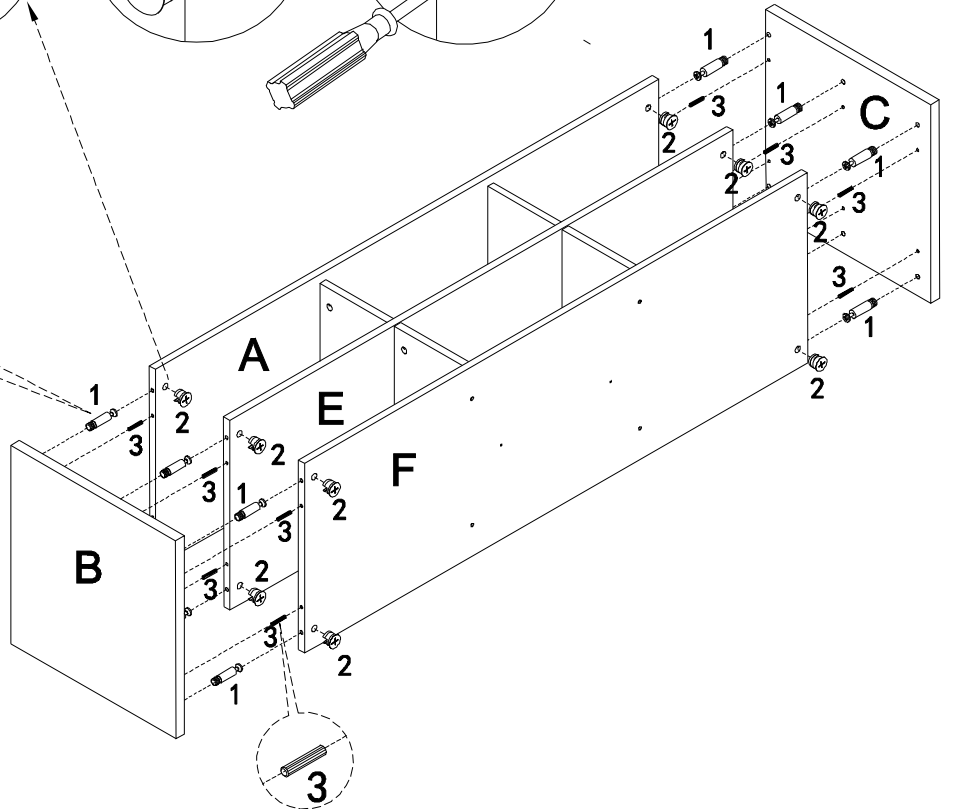
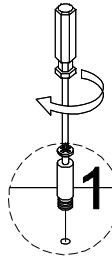
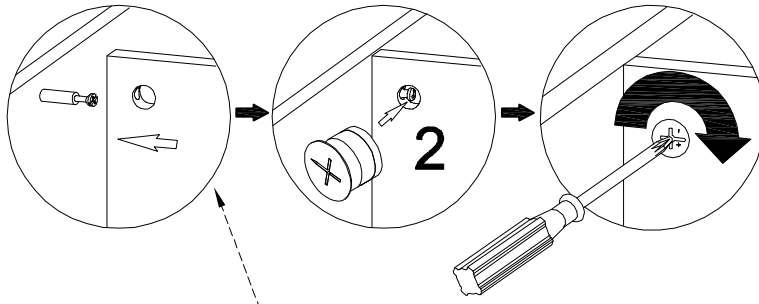
1		4PCS
2		4PCS
3		8PCS
4		4PCS



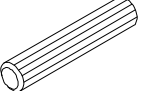
STEP 2



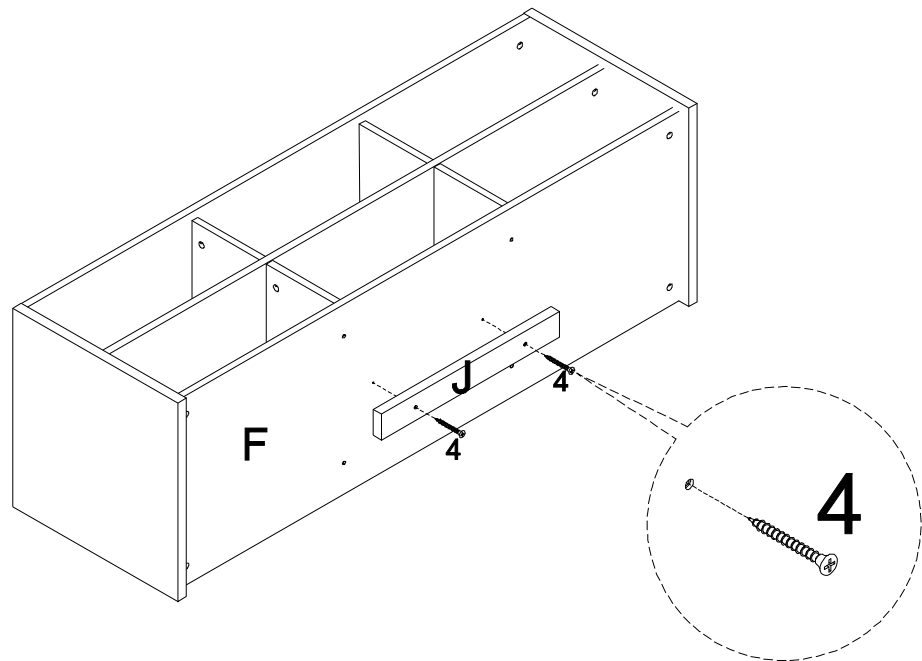
1		4PCS
2		4PCS
3		8PCS
4		4PCS

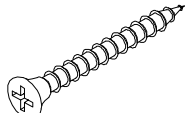
STEP 3



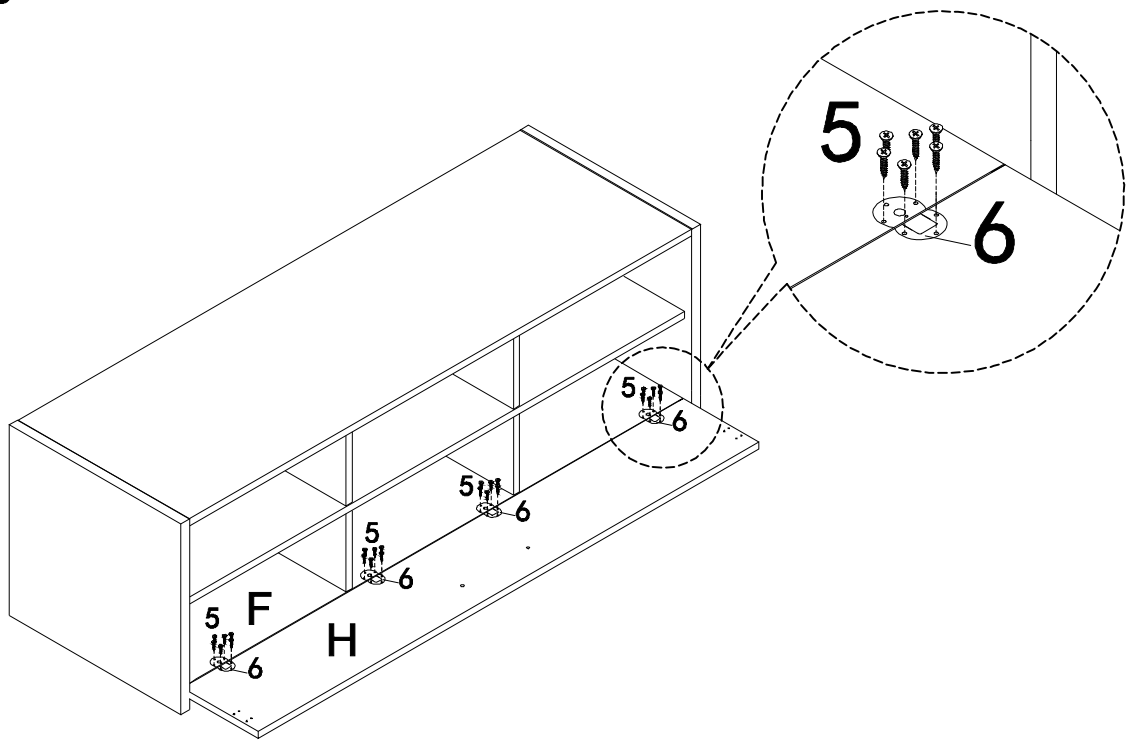
1		12PCS
2		12PCS
3		12PCS


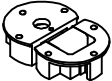
STEP 4



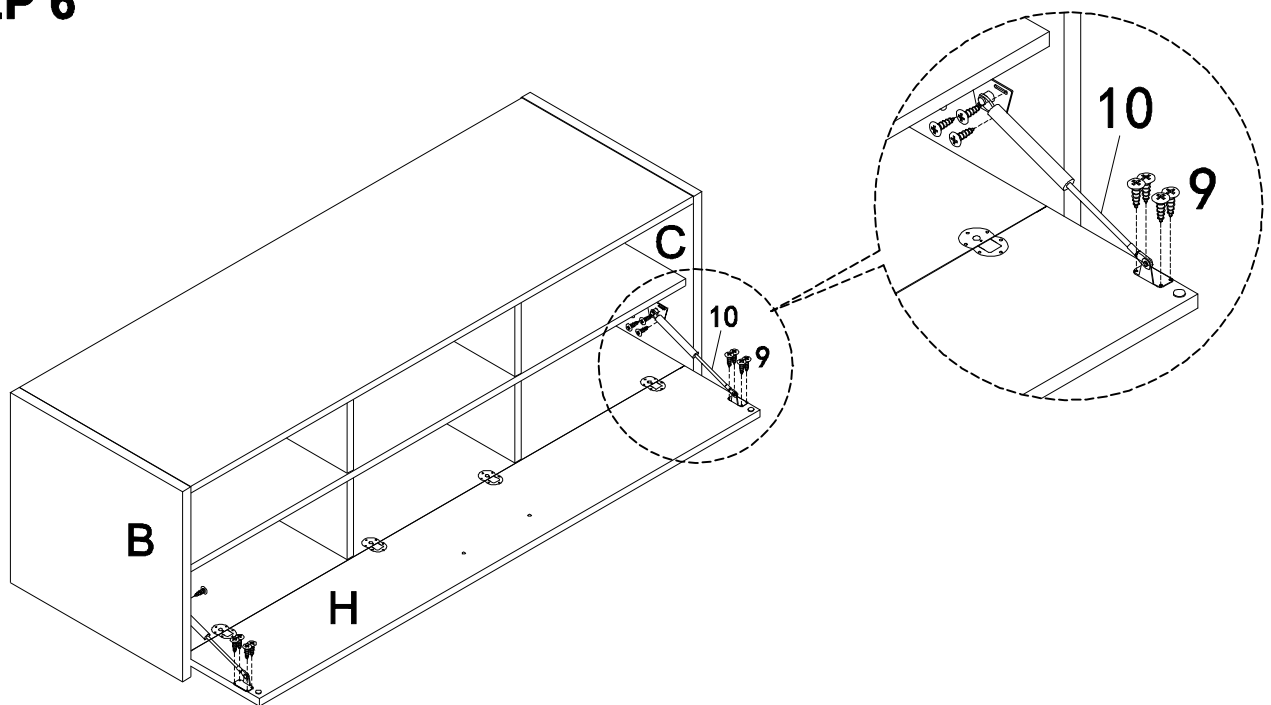
4		2PCS
---	---	------

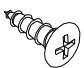
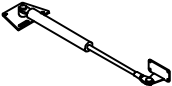
STEP 5



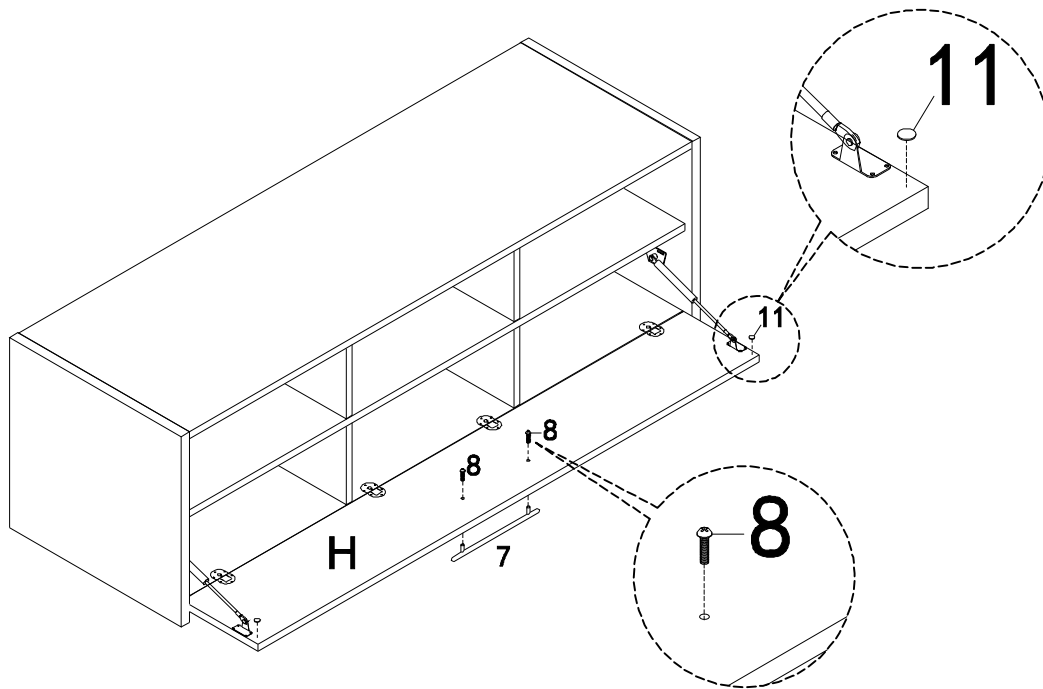
5		24PCS	6		4PCS
---	---	-------	---	--	------

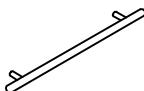

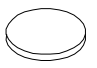
STEP 6



9		16PCS	10		2PCS
---	---	-------	----	---	------

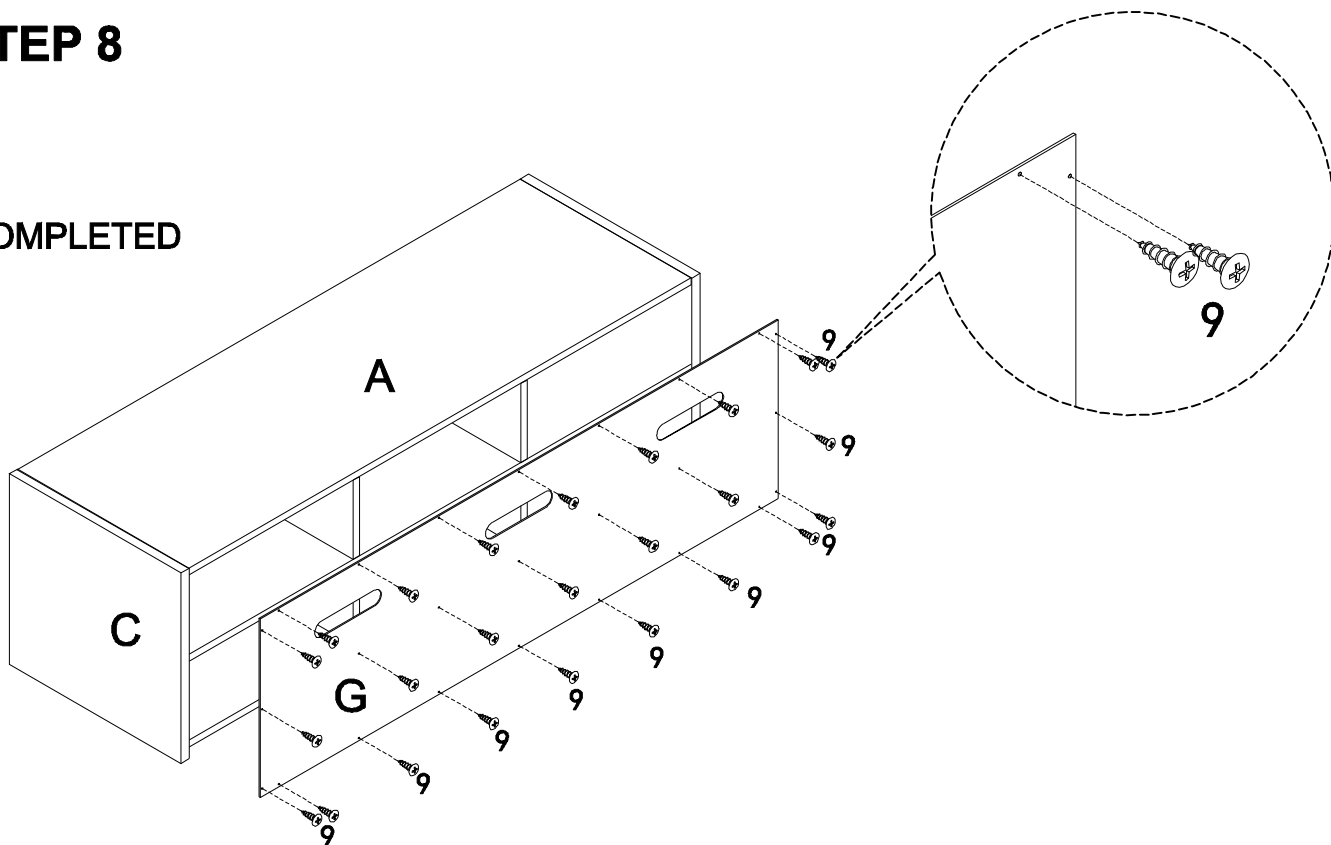
STEP 7

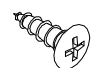


7		1PC	8		2PCS	11		2PCS
---	--	-----	---	--	------	----	---	------

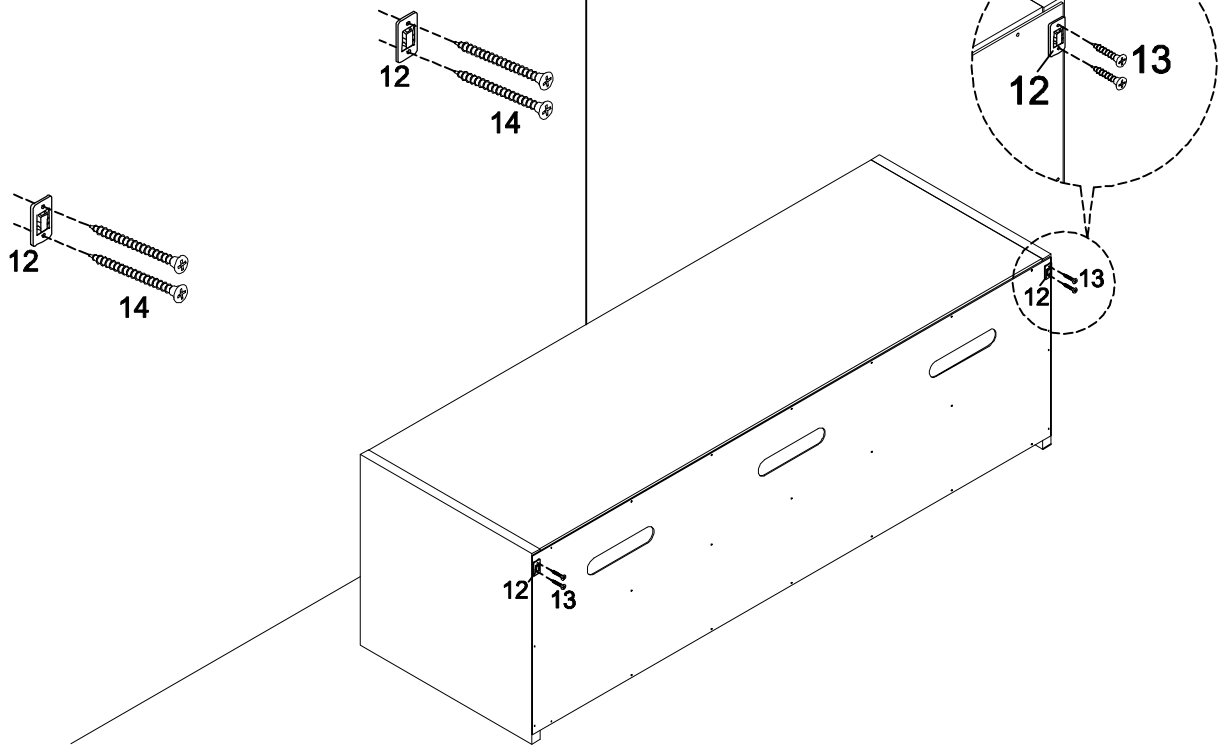
STEP 8

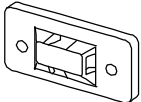
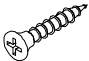

COMPLETED



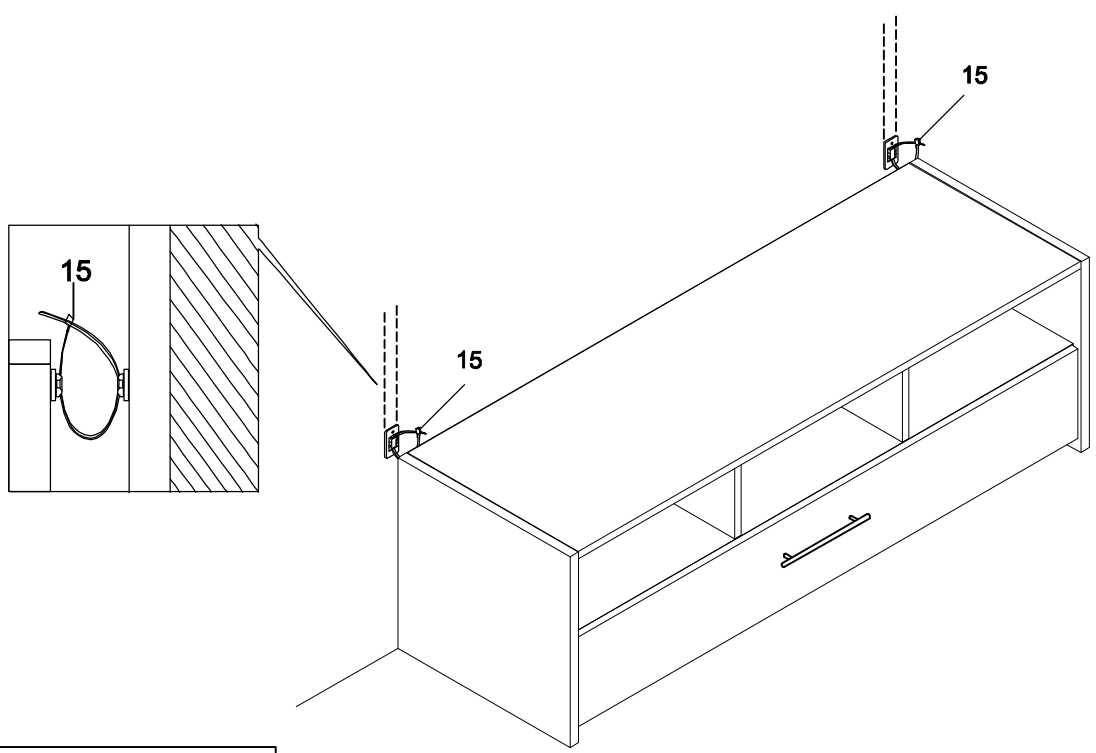
9		25PCS
---	---	-------


STEP 9



12		4PCS	13		4PCS	14		4PCS
----	--	------	----	---	------	----	--	------

STEP 10



15		2PCS
----	---	------