

ZH1825 Club Chair-Grey white linen

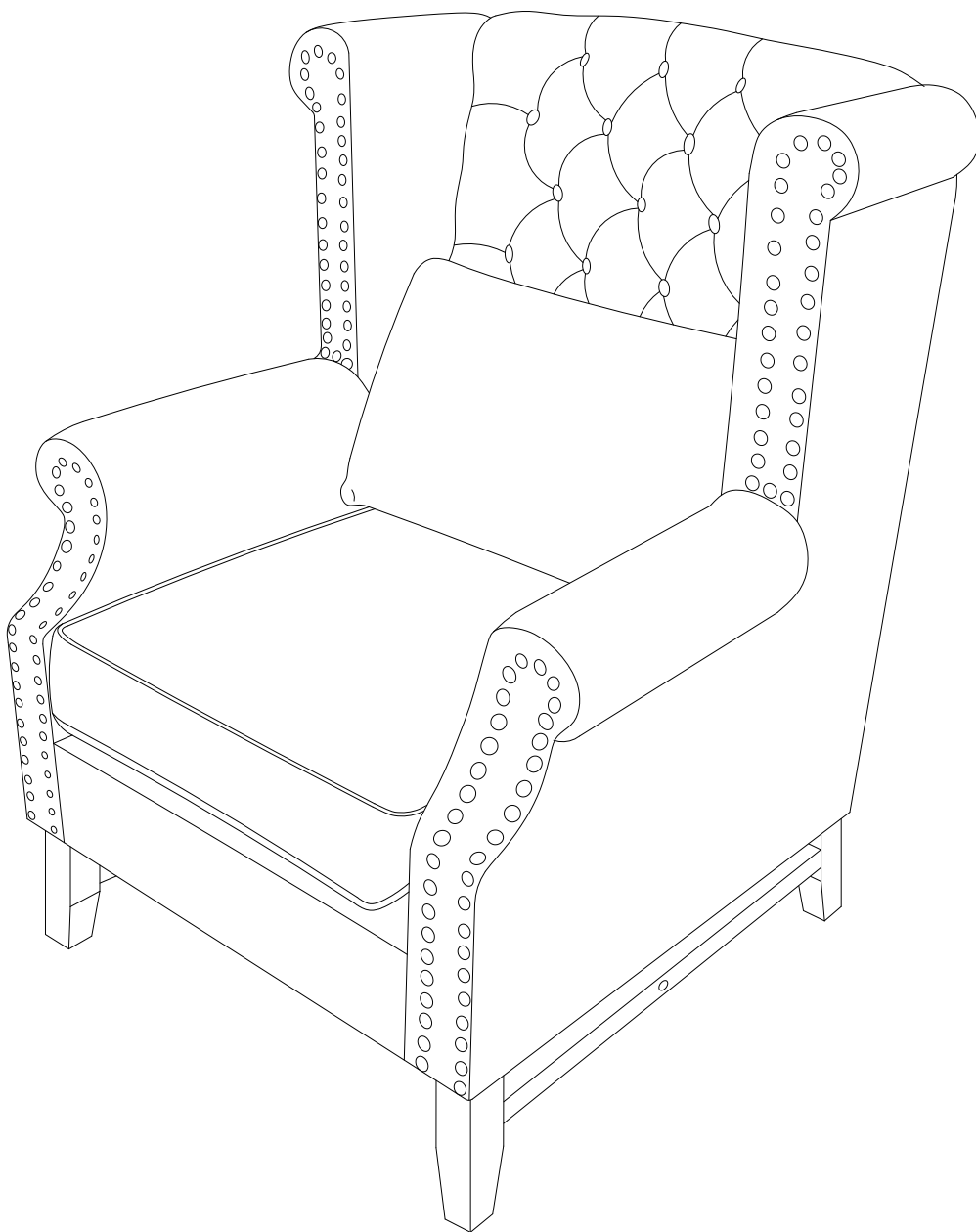
ZH1825 Club Chair- Oatmeal Linen

ZH1825 Club Chair-White linen

Assembly Instructions



For assistance with assembly contact:
Wayfair Customer Service,
877-WAYFAIR (877-929-3247)
www.wayfair.com

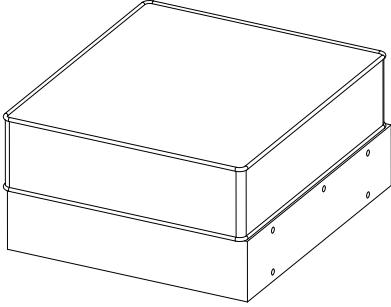


ZH1825 Club Chair

Parts List

Before beginning assembly, separate all parts and carefully study the parts diagrams below.
Review all parts and hardware before disposing of any packaging.
You may receive extra hardware with your unit.
Call Customer Service for missing hardware.

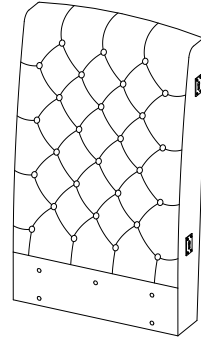
A



**Quantity
of 1**

Seat

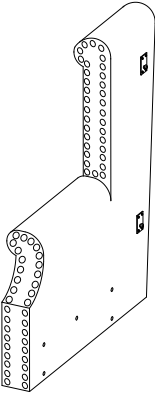
B



**Quantity
of 1**

Back panel

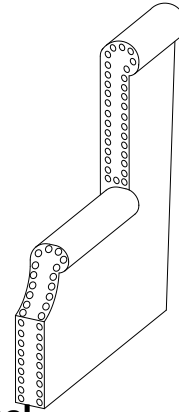
C



**Quantity
of 1**

Left side panel

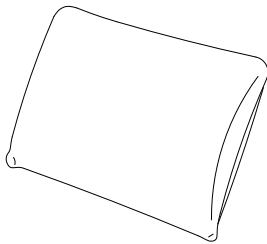
D



**Quantity
of 1**

Right side panel

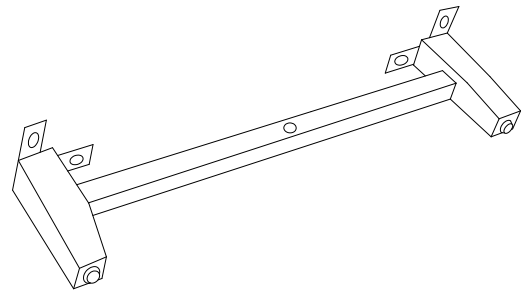
E



**Quantity
of 1**

Pillow

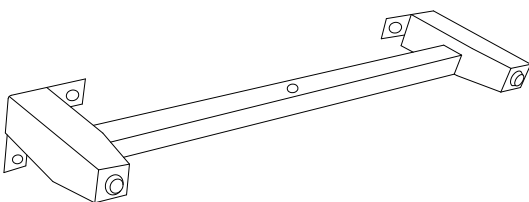
F



**Quantity
of 1**

Left leg

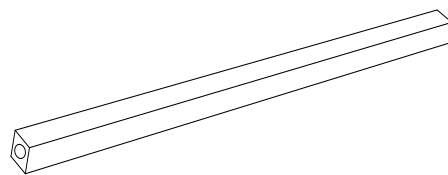
G



**Quantity
of 1**

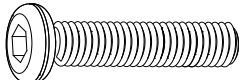
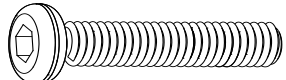
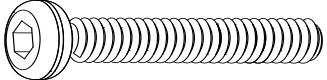
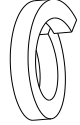
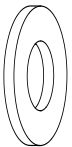
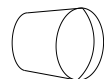
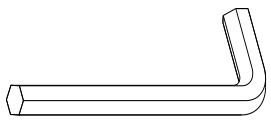
Right leg

H



**Quantity
of 1**

rail

<p>1</p>  <p>Quantity of 8</p> <p>Bolt: 5/16" * 1" L</p>	<p>2</p>  <p>Quantity of 2</p> <p>Bolt: 5/16" * 1-3/8" L</p>
<p>3</p>  <p>Quantity of 15</p> <p>Bolt: 5/16" * 2-1/2" L</p>	<p>4</p>  <p>Quantity of 23</p> <p>Spring washers</p>
<p>5</p>  <p>Quantity of 23</p> <p>Flat washers</p>	<p>6</p>  <p>Quantity of 2</p> <p>Wood plugs</p>
<p>7</p>  <p>Quantity of 1</p> <p>Allen wrench</p>	
<p>Care and Cleaning Instructions: Please see care and cleaning label attached to bottom of chair seat.</p>	<p>For replacement parts or questions, please call Customer Service at 877-WAYFAIR (877-929-3247)</p>

ZH1825 Club Chair Assembly Instructions

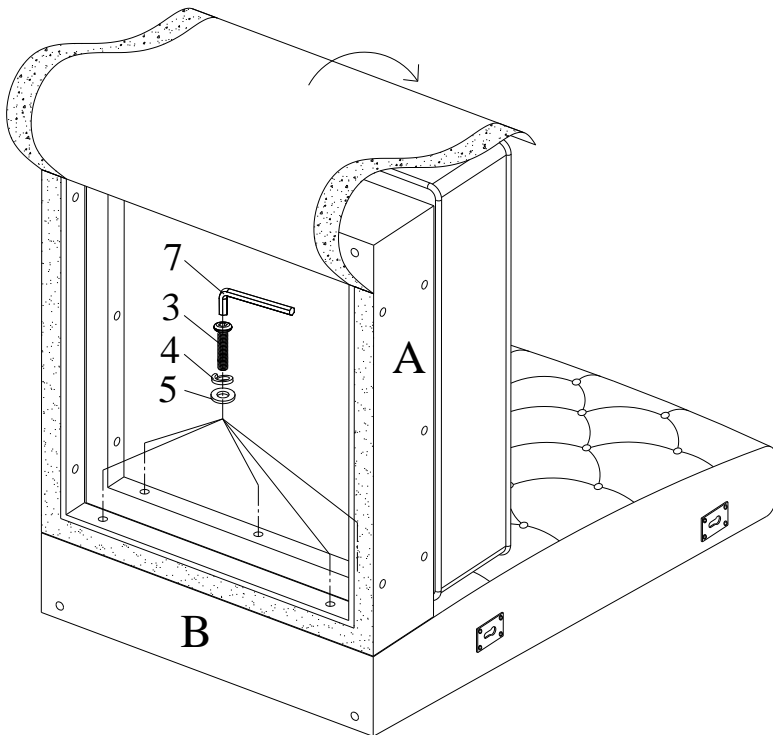


Figure 1

Unpack and lay parts on clean, padded surface like carpet or blanket. Check that you have all parts indicated on the front page.

Lift the Velcro strip from bottom of the Seat (B).

Attach Seat (Part A) to Back Panel (Part B) by Bolts (3) and Spring washer (4) and flat washer (5), Tighten them by using Allen wrench (7) as shown in Figure 1.

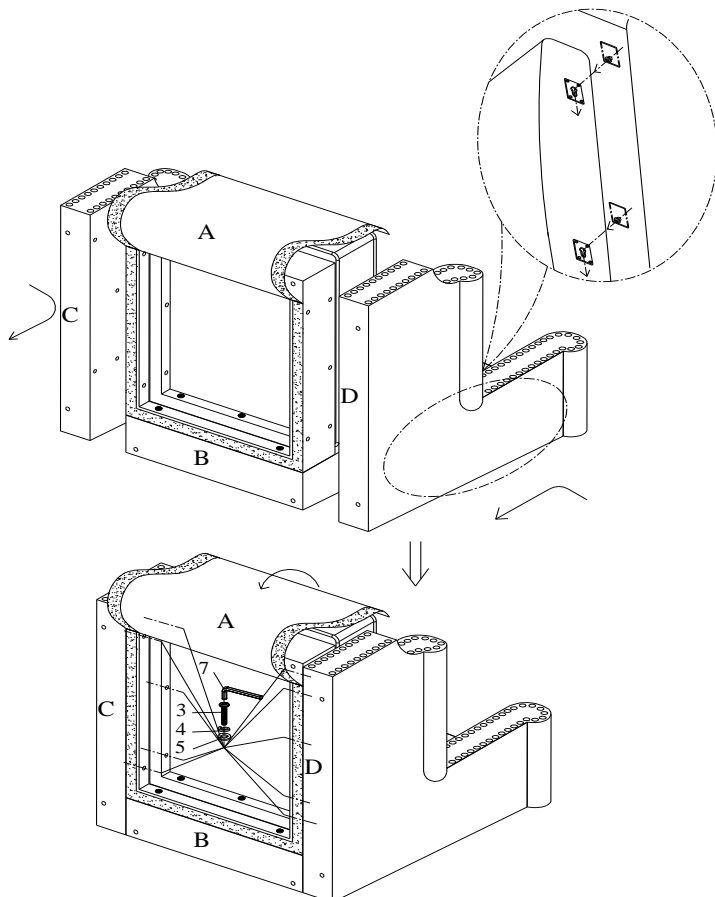
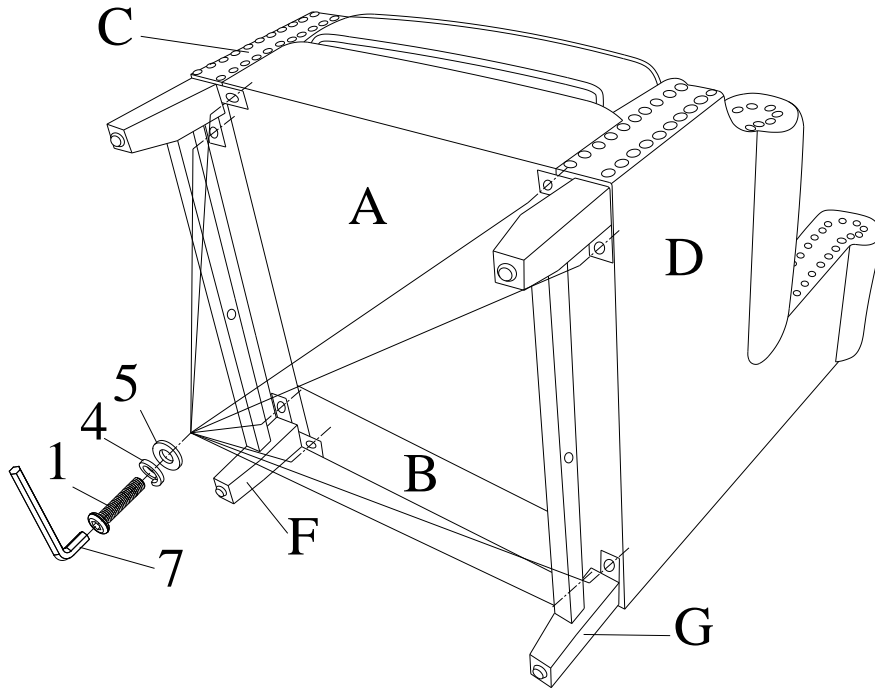


Figure 2

Attached left Side panel (Part C) and right Side panel (D) into Back panel (Part B) by hand as shown. Please make sure male hook on side panel will exactly go into female hook on back panel.

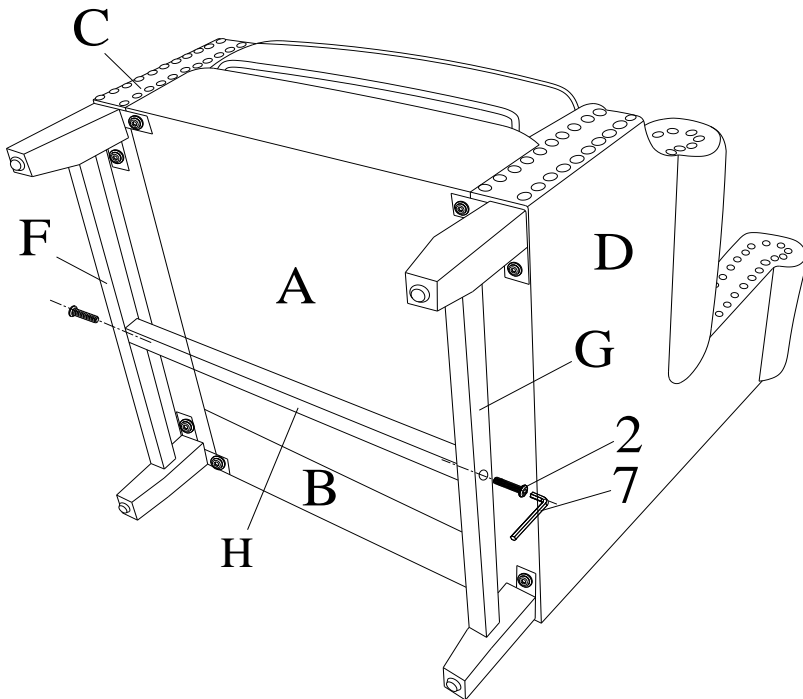
Use Bolts (3) and Spring washer (4) and flat washer (5) to connect left Side panel (Part C) and right Side panel (D) to Seat (Part A), Tighten Bolts (3) by using Allen wrench (7) as shown in Figure 3.

Then close Velcro strip on the bottom of Seat (Part A).



Attach the left Leg (Part F) and the right leg (G) onto the seat (A) by hand rotating and insert bolt (1) and Spring washers (4) and flat washers (5) into leg's metal plate pre-drilled holes, tighten bolt (1) by Allen wrench (7) as shown in figure 3.

Figure 3



Attach bottom rail (Part H) to the left Leg (Part F) and the right leg (G) by Bolts (2), Tighten Bolts (2) by using Allen wrench (7) as shown in Figure 4.

Figure 4

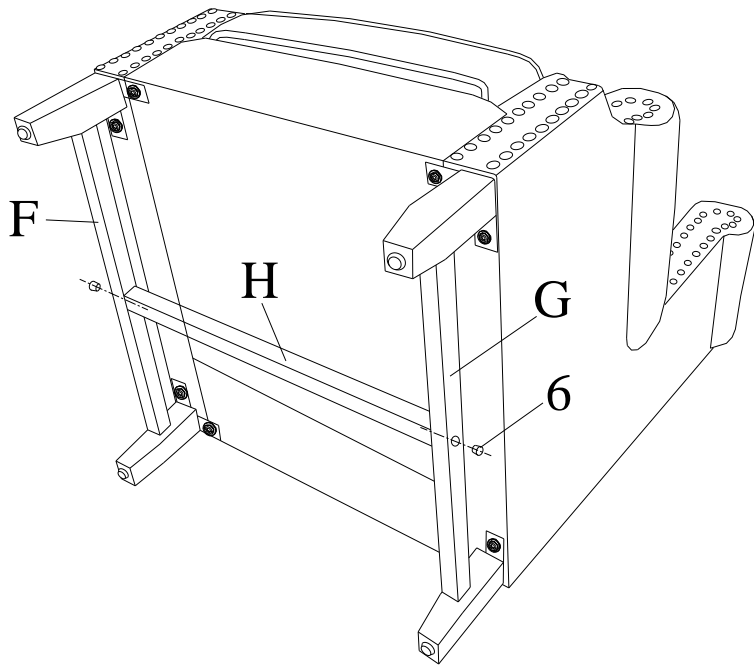


Figure 5

Attach Wood plugs (part 6) to cover the hole on the left Leg (Part F) and the right leg (G) by hand.

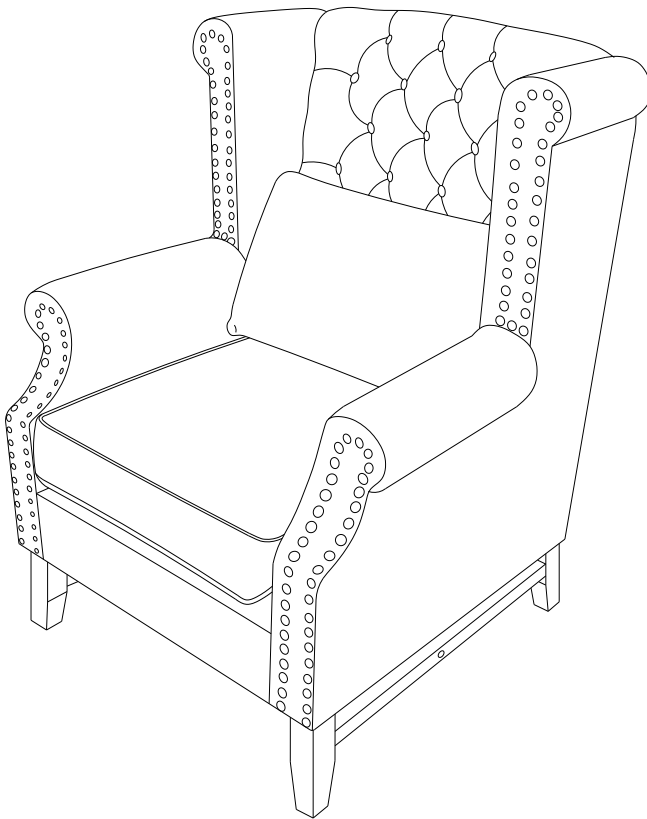


Figure 6

Turn over the chair, then place the pillow on the chair as shown.

Now your chair is ready to use!