

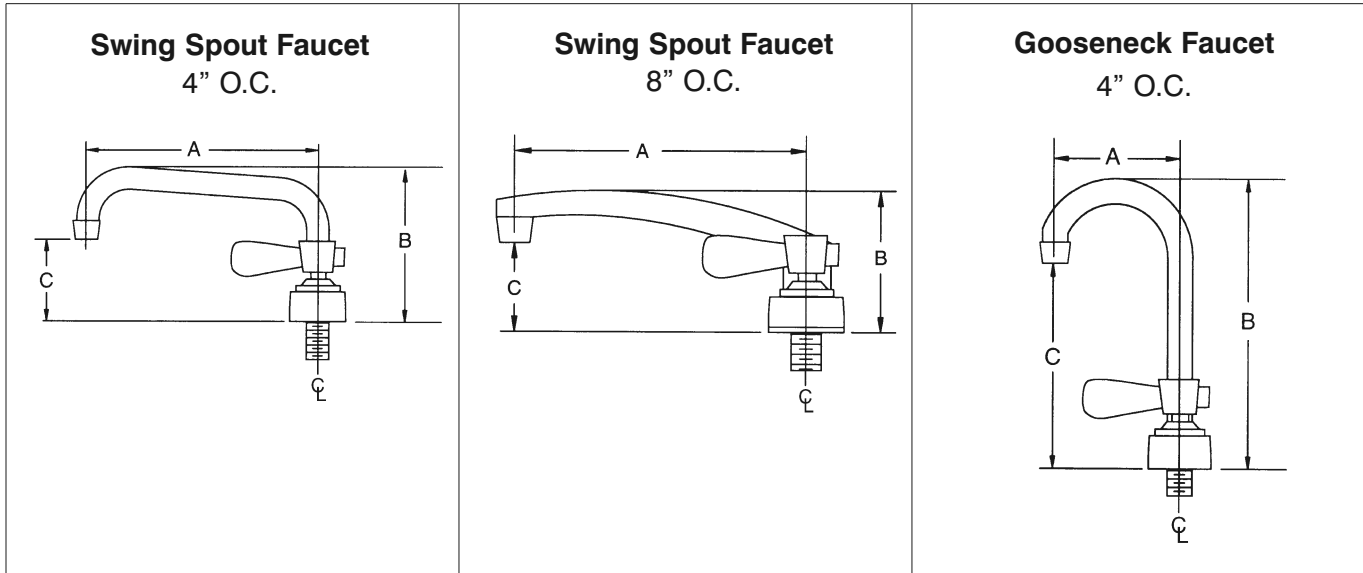
# DECK MOUNTED FAUCETS

<p><b>Lavatory Faucet</b></p>  <p><b>K-22</b></p>	<p><b>Drinking Bubbler</b></p>  <p><b>K-47</b></p>	<p><b>Single Handle Faucet</b></p>  <p><b>K-48</b></p>	<p><b>8" Swing Spout</b></p>  <p><b>K-50</b></p>
<p><b>3 1/2" Gooseneck</b></p>  <p><b>K-52</b></p>	<p><b>12" Swing Spout</b></p>  <p><b>K-53</b></p>	<p><b>Water Filler</b></p>  <p><b>K-54</b></p>	<p><b>8 1/2" Gooseneck Large Spout</b></p>  <p><b>K-55</b></p>
<p><b>Gooseneck with Wrist Handles</b></p>  <p><b>K-56</b></p> <p><b>Wrist Handles Only</b></p>  <p><b>K-320-LU</b></p>	<p><b>Swing Spout with Spray</b></p>  <p><b>K-58</b></p>	<p><b>Extra Heavy Duty Gooseneck</b></p>  <p><b>LEAD FREE COMPLIANT</b></p> <p><b>K-62</b></p>	<p><b>HEAVY DUTY Pre-Rinse Faucet (T&amp;S)</b></p>  <p><b>K-115</b></p> <p><b>K-114 Replacement Spray Head &amp; Handle</b></p> 
<p><b>6" Extended Spout</b></p>  <p><b>K-124</b></p>	<p><b>Heavy Duty 5-1/2" Gooseneck</b></p>  <p><b>K-132</b></p>	<p><b>Heavy Duty 9" Swing Spout</b></p>  <p><b>K-133</b></p>	<p><b>Eye Wash Attachment</b></p>  <p><b>K-170</b></p>
<p><b>AC/DC powered Hands-Free Gooseneck</b></p> <p><b>AC &amp; Battery Operated!</b></p>  <p><b>K-180</b></p>	<p><b>Metered Faucet</b></p>  <p><b>K-190</b></p>	<p><b>6" Extended Spout with Wrist Handles</b></p>  <p><b>K-208</b></p>	<p><b>Hands-Free Wand</b></p>  <p><b>K-400</b></p>
<p><b>Repair Kit For K-22, K-50, K-52 &amp; K-59</b></p>  <p><b>K-03</b></p> <p>Repair Kit can only be used on faucets purchased after 12/03</p>	<p><b>For Lead Free Compliant Faucets, add -CA after model number (Example: K-50-CA)</b></p>		

# DIMENSIONS and SPECIFICATIONS

TOL ± .125"

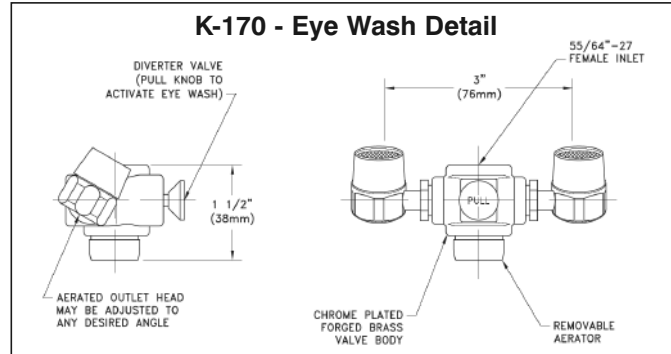
ALL DIMENSIONS ARE TYPICAL



**Standard Faucet conforms to NSF 61 Standard 9. An optional faucet upgrade is required for compliance to AB 1953 Standards.**

For Replacement Faucets & Upgrades, Drains & Accessories visit our website at [www.advantetabco.com](http://www.advantetabco.com)

**ALL FAUCET AERATORS  
CONFORM TO  
ASTM.A112.18.1M  
2.0 GPM/7.56 LPM  
THREAD: 55/64 - 27 FEMALE  
K-22 THREAD: 15/16 - 27 MALE**



MODEL #	Description	A LENGTH	B HEIGHT	C DECK TO SPOUT	On Center Dimensions
K-03	Repair Kit For K-50, K-52 and K-59	N/A	N/A	N/A	N/A
K-22	Lavatory Faucet	3 1/2"	3"	2"	4" O.C.
K-47	Drinking Bubbler	4 1/16"	5 3/4"	3"	Single Hole
K-48	Single Handle Faucet	8 1/2"	15 3/4"	10"	Single Hole
K-50	8" Swing Spout Faucet	8"	4 3/4"	2"	4" O.C.
K-52	3 1/2" Gooseneck Faucet	3 1/2"	8"	5"	4" O.C.
K-53	12" Swing Spout Faucet	12"	5 1/2"	3 1/2"	4" O.C.
K-54	Water Filler Faucet	2 1/2"	9 1/2"	8"	Single Hole
K-55	8 1/2" Gooseneck Faucet	8 1/2"	14 1/4"	8 1/2"	4" O.C.
K-56	Gooseneck Faucet with Wrist Handles	3 1/2"	8"	5"	4" O.C.
K-58	Swing Spout Faucet with Spray (Requires 4 holes)	8"	3 1/2"	2 3/16"	8" O.C.
K-62	Extra Heavy Duty Gooseneck Faucet	3 1/2"	11 7/8"	9 1/4"	4" O.C.
K-115	Heavy Duty Pre-Rinse (T&S) Faucet	15"	40"	9"	Single Hole
K-124	6" Extended Spout Faucet	6"	6"	3 1/4"	4" O.C.
K-132	Heavy Duty 5-1/2" Gooseneck Faucet	5 1/2"	10 11/16"	5 5/8"	8" O.C.
K-133	Heavy Duty 9" Swing Spout Faucet	9"	8 13/16"	6 1/4"	8" O.C.
K-170	Eye Wash Attachment (See Above Detail)	N/A	N/A	N/A	N/A
K-180	Hands Free AC/DC Operated Faucet 6' Cord. INPUT: 100-240VAC 47-6Hz. < 1 Amp Draw. UL LISTED	4 3/8"	10 1/4"	6 3/4"	Single Hole
K-190	Metered Faucet	2 3/4"	5 1/2"	2"	Single Hole
K-208	6" Extended Spout Faucet With Wrist Handles	6"	6"	3 1/4"	4" O.C.
K-400	Hands Free Wand	N/A	N/A	N/A	N/A

**N/A = Not Applicable To Faucet**

