



STAINLESS STEEL
HAND SINKS
A.D.A COMPLIANT LAVATORIES



7-PS-25



7-PS-75



7-PS-26

**FRONT LOADING
 PAPER TOWEL DISPENSER UNITS**



7-PS-41



7-PS-46



Optional A.D.A. Compliant Bubbler can be added to the 7-PS-25, 7-PS-26 & 7-PS-75 Only
 Use Model # K-47

Item #: _____ **Qty #:** _____
Model #: _____
Project #: _____

FEATURES:

One piece **Deep Drawn** sink bowl design.
 Sink bowl is 16" x 14" x 5".
 All sink bowls have a large liberal radii with a minimum dimension of 2" and are rectangular in design for increased capacity.
 Keyhole wall mount bracket.
 1 1/2" stainless steel drain with strainer plate.

Additional Specific Features:

- 7-PS-25** 6" Extended deck mounted gooseneck faucet with wrist handles & deck mounted liquid soap dispenser.
- 7-PS-26** includes a "Hands Free" AC/DC operated gooseneck faucet & deck mounted, liquid soap dispenser.
- 7-PS-75** Sink Only. Faucet not included. Three 1-3/8" dia. Holes Punched.
- 7-PS-41** includes a "Hands Free" AC/DC operated gooseneck faucet & deck mounted, liquid soap dispenser.
 Front loading paper towel dispenser (Standard C-Fold Towels).
 Stainless Steel Skirt with Removable Access Panel and enclosed bottom for storage. Optional **TA-14** lock available.
- 7-PS-46** 6" Extended splash mounted gooseneck faucet with wrist handles & deck mounted liquid soap dispenser.
 Front loading paper towel dispenser (Standard C-Fold Towels).
 Stainless Steel Skirt with Removable Access Panel and enclosed bottom for storage. Optional **TA-14** lock available.

CONSTRUCTION:

All TIG welded.
 Welded areas blended to match adjacent surfaces and to a satin finish.
 Die formed Countertop Edge with a 3/8" No-Drip offset.
 Bowl made from One sheet of stainless steel - No Seams.

MATERIAL:

Heavy gauge type 304 series stainless steel.
 Wall mounting bracket is Galvanized and of offset design.
 All fittings are brass / chrome plated unless otherwise indicated.

MECHANICAL:

Faucet supply is 1/2" IPS male thread hot and cold.

Standard Faucet conforms to NSF 61 Standard 9. An optional faucet upgrade is required for compliance to AB 1953 Standards.

For Replacement Faucets & Upgrades, Drains & Accessories visit our website at www.advancetabco.com



Customer Service Available To Assist You 1-800-645-3166 8:30 am - 8:00 pm E.S.T.
 Email Orders To: customer@advancetabco.com. For Smart Fabrication™ Quotes, Email To: smartfab@advancetabco.com or Fax To: 631-586-2933

NEW YORK
 Fax: (631) 242-6900

GEORGIA
 Fax: (770) 775-5625

TEXAS
 Fax: (972) 932-4795

NEVADA
 Fax: (775) 972-1578

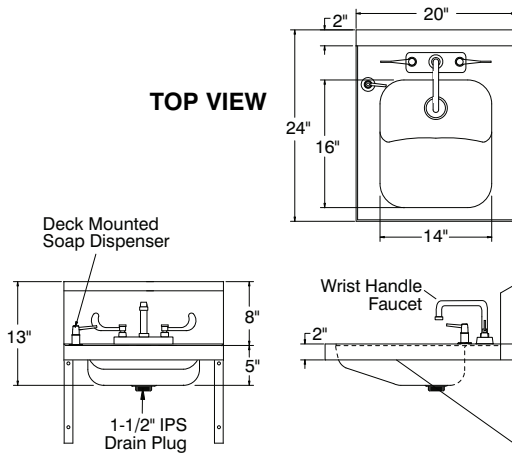
DIMENSIONS and SPECIFICATIONS

TOL Overall: ± .500" Interior: ± .250"

FITTINGS SUPPLIED AS SHOWN

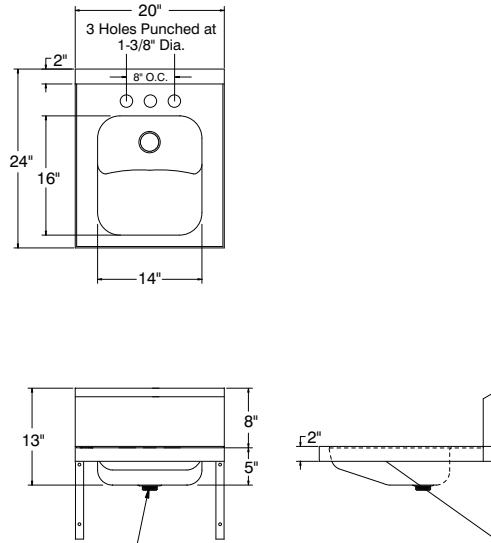
ALL DIMENSIONS ARE TYPICAL

7-PS-25



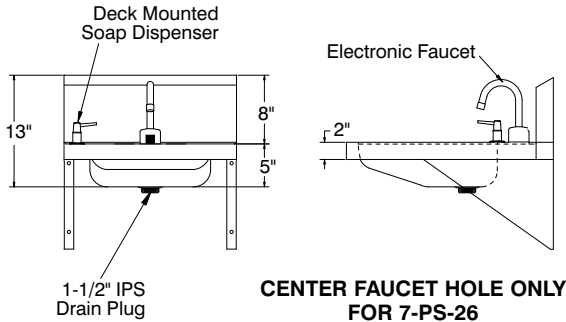
25 lbs.

7-PS-75



25 lbs.

7-PS-26



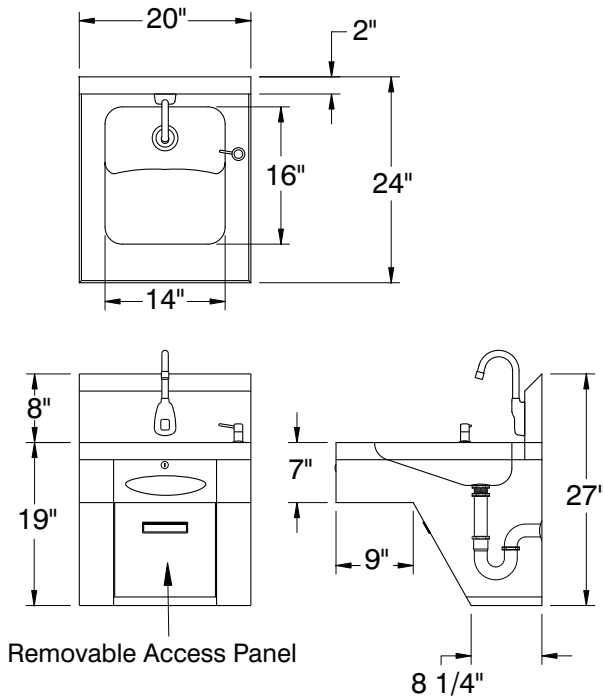
25 lbs.

CENTER FAUCET HOLE ONLY FOR 7-PS-26

Optional 8" O.C. Faucets Available

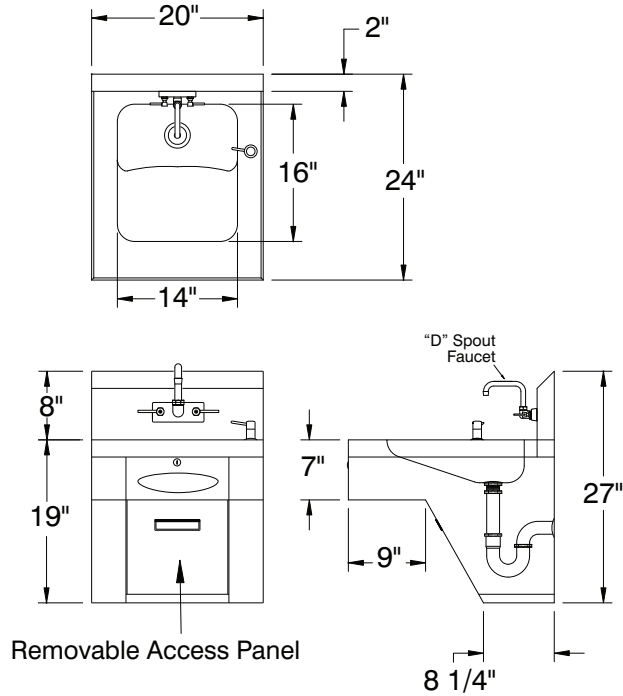


7-PS-41



43 lbs.

7-PS-46



43 lbs.

