



STAINLESS STEEL

# REGALINE SINKS

## One & Two Compartments without Drainboards



"930" and "900" Series shown



"940" Series shown

Item #: \_\_\_\_\_ Qty #: \_\_\_\_\_  
 Model #: \_\_\_\_\_  
 Project #: \_\_\_\_\_

### FEATURES:

Tile edge for ease of installation.  
 One piece **Deep Drawn** sink bowls with splash.  
 Featuring the single bowl unit design.  
 All sink bowls have a large liberal 3" radius.  
 Placement of the welded leg assembly ensures stability and furnishes direct support of the column load requirement for the entire sink unit.  
 "940" series is supplied with front and rear cross brace.

### CONSTRUCTION:

All TIG welded.  
 Welded areas blended to match adjacent surfaces and to a satin finish.  
 Gussets welded to a die-embossed reinforcing channel.

**Spec-Line:** 940 Series - 11" High Splash.  
**Standard:** 930 Series - 8" Splash.  
**Super Saver:** 900 Series - 8" Splash.

### MATERIAL:

**940 Series:** 14 gauge type 304 stainless steel.  
**930 Series:** 16 gauge type 304 stainless steel.  
**900 Series:** 18 gauge type 304 stainless steel.

- LEGS:**
- 1 5/8" diameter tubular stainless steel.
  - Stainless steel gussets & channels.
  - Stainless Steel 1" adjustable bullet feet.

**YES! It's SeaLess!**

BOWL SIZE	O.A. LENGTH (inches) (mm)	# of Compart.	SPEC-LINE 940 Series		STANDARD 930 Series		SUPER SAVER 900 Series		Cubic Feet	
			14 Ga. 304 S/S 14" Water Level		16 Ga. 304 S/S 12" Water Level		18 Ga. 304 S/S 12" Water Level			
			MODEL #	Approx. Wt. (lbs.)	MODEL #	Approx. Wt. (lbs.)	MODEL #	Approx. Wt. (lbs.)		
<b>16 x 20</b> (406 x 508)	25"	635	One	<b>94-1-24</b>	77	<b>93-1-24</b>	66	<b>9-1-24</b>	49	20
	44"	1118	Two	<b>94-2-36</b>	109	<b>93-2-36</b>	76	<b>9-2-36</b>	66	20
<b>20 x 20</b> (508 x 508)	29"	737	One	<b>94-21-20</b>	92	<b>93-21-20</b>	60	<b>9-21-20</b>	61	20
	52"	1321	Two	<b>94-22-40</b>	116	<b>93-22-40</b>	80	<b>9-22-40</b>	79	23
<b>18 x 24</b> (457 x 610)	27"	686	One	<b>94-61-18</b>	95	<b>93-61-18</b>	78	<b>9-61-18</b>	69	44
	48"	1207	Two	<b>94-62-36</b>	165	<b>93-62-36</b>	154	<b>9-62-36</b>	129	56
<b>24 x 24</b> (610 x 610)	33"	838	One	<b>94-41-24</b>	93	<b>93-41-24</b>	85	<b>9-41-24</b>	85	23
	60"	1524	Two	<b>94-42-48</b>	174	<b>93-42-48</b>	145	<b>9-42-48</b>	145	31
<b>20 x 28</b> (508 x 711)	29"	737	One	<b>94-81-20</b>	123	<b>93-81-20</b>	97	<b>9-81-20</b>	97	27
	52"	1321	Two	<b>94-82-40</b>	185	<b>93-82-40</b>	160	<b>9-82-40</b>	160	45
				14" Water Level 17" Flood Level		12" Water Level 15" Flood Level		12" Water Level 15" Flood Level		



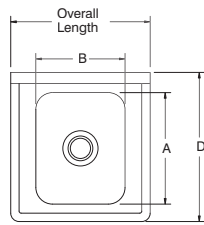
**Customer Service Available To Assist You 1-800-645-3166 8:30 am - 8:00 pm E.S.T.**  
 Email Orders To: customer@advancetabco.com. For Smart Fabrication™ Quotes, Email To: smartfab@advancetabco.com or Fax To: 631-586-2933

**NEW YORK** Fax: (631) 242-6900      **GEORGIA** Fax: (770) 775-5625      **TEXAS** Fax: (972) 932-4795      **NEVADA** Fax: (775) 972-1578

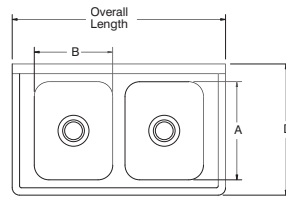
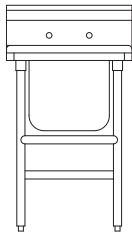
# DIMENSIONS and SPECIFICATIONS

TOL Overall: ± .500"  
Interior: ± .250"

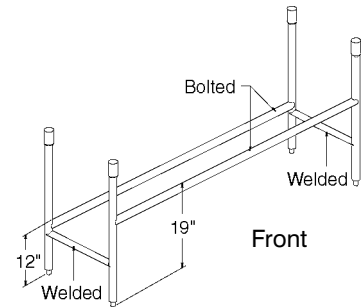
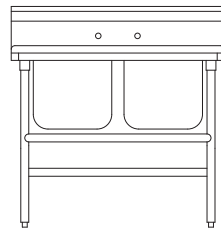
ALL DIMENSIONS ARE TYPICAL



1 Compartment



2 Compartment

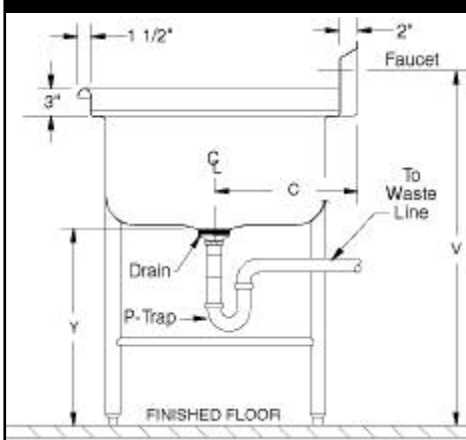


940 Series Cross Bracing

## DESCRIPTION

BOWL (SIZE)	# of Compart.	Overall Length	Recommended Use	A	B	C	D	940 SERIES					900 & 930 SERIES				
								V	W	X	Y	Z	V	W	X	Y	Z
16x20	One	25"	DISH SINKS	20"	16"	13 5/8"	27"	38"	11"	14"	20"	45"	38"	8"	12"	22"	42"
	Two	44"															
20x20	One	29"	DISH & POT SINKS	20"	20"	13 5/8"	27"	38"	11"	14"	20"	45"	38"	8"	12"	22"	42"
	Two	52"															
18x24	One	27"	POT & PAN SINKS	24"	18"	15 5/8"	31"	38"	11"	14"	20"	45"	38"	8"	12"	22"	42"
	Two	48"															
24x24	One	33"	POT SINKS	24"	24"	15 5/8"	31"	38"	11"	14"	20"	45"	38"	8"	12"	22"	42"
	Two	60"															
20x28	One	29"	PAN SINKS	28"	20"	17 5/8"	35"	38"	11"	14"	20"	45"	38"	8"	12"	22"	42"
	Two	52"															

## PLUMBING ROUGH-IN



## MECHANICAL:

- Supply is 1/2" IPS hot & cold.
- Faucet holes on 8" centers.
- Faucets are not included (**see accessories**).
- Waste drains are 1 1/2" IPS S/S basket type, located in center of sink bowl, and are included.



## SECTION

